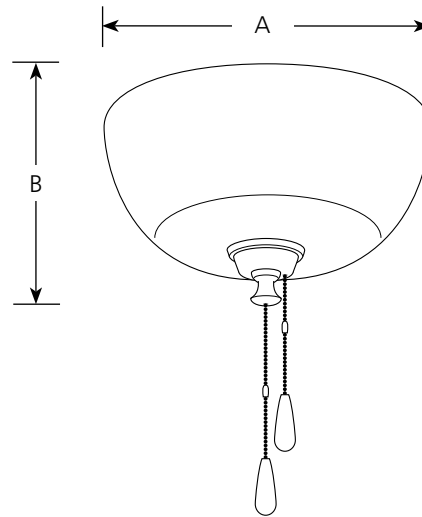


Type \_\_\_\_\_

-09 -20

P2649

Catalog No	Finish		Lamping	Dimensions (Inches)	
	Brushed Nickel	Antique Bronze		A	B
P2649	-09	-20	3 (c) 40w	11	6-3/8



**Specifications:**

General

- Etched glass bowl: 11" dia. x 4-3/16 ht.
- Designed to match the Westin family of lighting fixtures
- Pull chain on brushed nickel (-09) finish is chrome with a light maple fob, and on antique bronze (-20) is antique brass with a walnut fob
- The Brushed Nickel (-09) is plated and Antique Bronze (-20) is painted or acid

Mounting

- Universal on any Progress or any indoor fan with a 4" dia light kit mount

Electrical

- Quick connect wiring to fan
- Include a 190 watt EPACT limiter

Labeling

- ETL listed



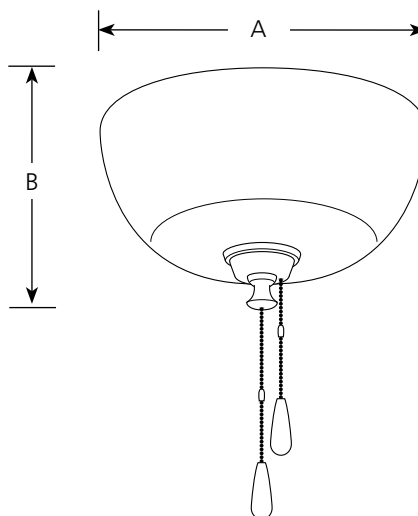
Compact Fluorescent

**Westin  
Light Kit  
Energy Star**

**Ceiling Fans**

Type \_\_\_\_\_  
-09EBWB -20EBWB  
P2649

Catalog No	Finish		Lamping	Dimensions (Inches)	
	Brushed Nickel	Antique Bronze		A	B
P2649	-09EBWB	-20EBWB	2-13W CFL (included)	11	6-3/8



**Specifications:**

General

- Etched glass bowl: 11" dia. x 4-3/16 ht.
- Designed to match the Westin family of lighting fixtures
- Two 13 watt compact fluorescent lamps included
- Energy Star Certified
- Pull chain on brushed nickel (-09) finish is chrome with a light maple fob, and on antique bronze (-20) is antique brass with a walnut fob
- The Brushed Nickel (-09) is plated and Antique Bronze (-20) is painted or acid

Mounting

- Universal on any Progress or any indoor fan with a 4" dia light kit mount

Electrical

- Quick connect wiring to fan
- GU24 based lampholders
- Pre-wired

Labeling

- ETL listed



Progress Lighting  
701 Millennium Blvd.  
Greenville, South Carolina  
29607

www.progresslighting.com

Rev. 2/10