



Compact
Fluorescent

6" Pro-Optic Housing
26/32 Triple Tube
1 Horizontal Lamp

Recessed

Type _____
-EB
P6132

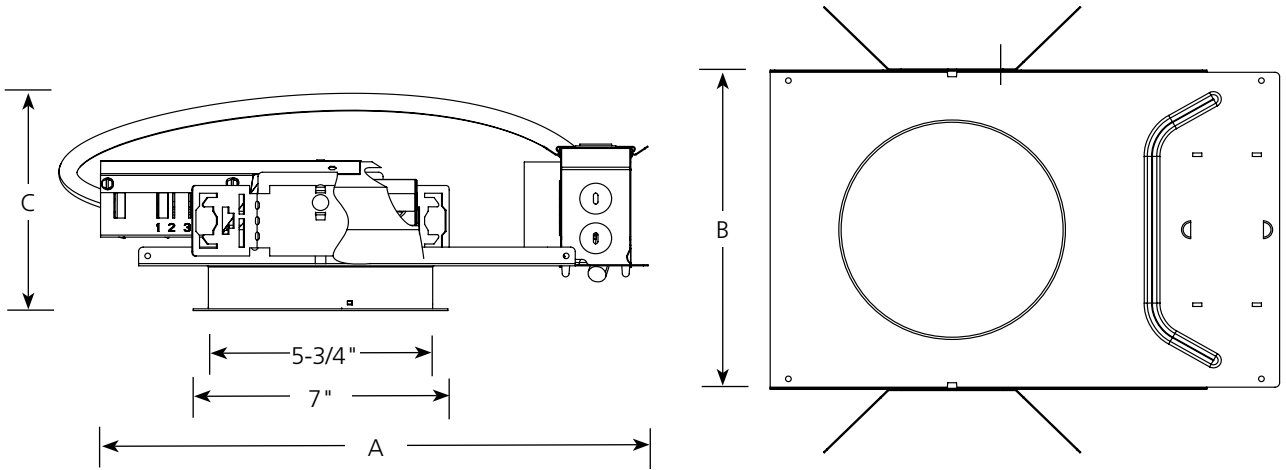
Catalog No.	Lamping
P6132-EB	1-26 or 32W Triple Tube

Dimensions (Inches)

A	B	C
14	9-1/8	4-3/4 (Open) 5-3/4 (Lensed)

Ceiling Opening = 6-1/4

Maximum Ceiling Thickness = 1-1/4



Specifications:

Electrical

- Universal heavy gauge junction box with snap-out sides
- Grounding pigtail
- 1/2" & 3/4" pryouts for rigid or BX fittings
- 120/277v Electronic HPF Ballast with end of life protection
- Rated for 8 #12 90 degree conductors (4 in, 4 out)

Construction

- Single horizontal triple tube 26 or 32 w (GX24q-3) compact fluorescent, use only GE or Osram Sylvania lamp
- Notched housing for chalkline or laser alignment
- Full wrap-around mounting frame
- Galvanized steel construction
- Housing accommodates 1/2" to 1-1/4" thick ceilings

Bar Hangers

- Light commercial bar hangers included
- Integral nailers for wood joist construction
- Integral T-bar mounting clamps
- Securely span 24" T-bar spacing
- Integral set screw lock to secure vertical housing position
- Captive and factory installed
- Galvanized steel

- Universal mounting brackets accept 1/2" EMT conduit or 1-1/2" or 3/4" lathing channel (by others)

Labeling

- UL and CUL listed for damp location and through branch wiring

- Non-IC rated

Lamp/Trim

- Socket box mounts securely to reflector for consistent lamp positioning and photometric performance
- Trim retention accomplished by use of spring clips located inside aperture of frame in
- Order trim separately
- Internal emergency available for use with standard open P8015 and baffle P8014 trims only

Options

- Remote emergency packs are available as options. Add "EM" to sku number for internal emergency (MTO only).

Technical Data

Lamp	Ballast	Lamp Base	Line Current Amps	Input Watts	Min. Start Temp.(F)
26w	120v	GX24q3	.24	29	0
26w	277v	GX24q3	.11	29	0
32w	120v	GX24q3	.31	36	0
32w	277v	GX24q3	.13	36	0

Progress Lighting
701 Millennium Blvd.
Greenville, South Carolina
29607