



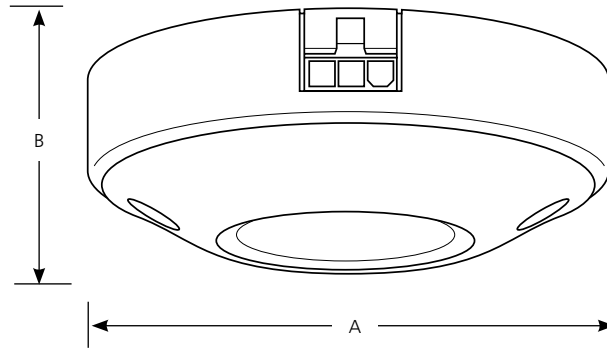
solid state

Hide-A-Lite III
120V AC LED
Energy Star® Qualified

Undercabinet

Type _____
 -30
 P7510

Catalog No.	Finish		Light Source	Wattage	Dimmable	Dimensions (Inches)	
	White					A	B
P7510	-30		LED array (included)	4.4w	yes	3-1/4	15/16



Specifications:

General

- Die-cast aluminum enclosure
- Diffuse polycarbonate lens:
- Painted White (-30) finish
- Energy Star® qualified
- 5 year warranty

Lamping

- Uses (12) long life AC LEDs
- 4.4w at 120VAC, 60Hz
- 274 lumen output, 62 lumens per watt
- 3000K CCT
- 84 CRI
- TM-21 42000 hour life

Mounting

- Easily mounts to undercabinet surface with (2) screws (provided)

Dimming

- Dimmable to 15% brightness. See page 2 for known compatible controls.

Electrical

- No driver or transformer is needed
- Powered directly by 120V AC from a single location using P8740 Direct Wire J-Box
- Each unit has 3 connection points - two sides and on back for versatility
- Linkable using Hide-A-Lite (HAL3) linking cables/accessories (P8735, P8733, P8737, P8738, P8743)

Labeling

- cCSAus Damp location listed



lighting facts
 LED Product Partner

Progress Lighting
 701 Millennium Blvd.
 Greenville, South Carolina
 29607

www.progresslighting.com

Rev. 02/14

DIMMING NOTES:

Hide-A-Lite III LED Undercabinet products are designed to be compatible with many 120VAC phase control dimmer controls including Incandescent (Forward Phase) and Electronic Low Voltage (ELV-Reverse Phase) controls. LED rated dimmer controls may also offer favorable dimming performance. Incandescent Digital type dimmers are not recommended.

Dimming capabilities will vary depending on the dimmer control, load, and circuit installation. Due to the low wattage of the P7510, use of ELV dimming controls are recommended for runs with 40W or less circuit load. Always refer to dimmer manufacturer instructions or a controls specialist for specific requirements.

The following is a partial list of known compatible dimmer controls:

TRIAC - Forward Phase Controls

Lutron	Diva Series	(Part number DV-600P)
Lutron	Skylark Series	(Part Number S-600P)
Lutron	Ariadni Series	(Part Number AY-600P)
Lutron	Faedra Series	(Part Number FA-600P)
Lutron	Lumea	(Part Number LG-600PH)
Leviton	Renoir II	(Part Number AWRMG-MAW)

Electronic Low Voltage ELV Reverse Phase Controls

Lutron Diva Series	(Part Number DVELV-300)
Lutron Nova T Series	(Part Number NTELV-300)
Lutron Vierti Series	(Part Number VTELV-600)

LED Rated Controls

Pass & Seymour	(Part Number DCL453PTCCCV6)
----------------	-----------------------------

Dimmer control brand names where identified above are tradenames or registered trademarks of each respective company.



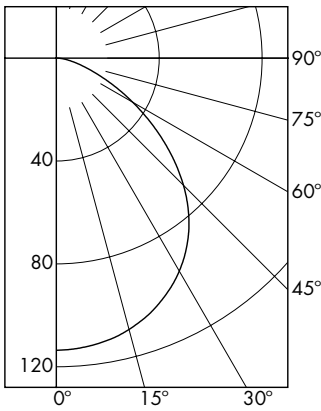
NOTES

1. Operation in ambient temperatures higher than those specified will shorten life.
2. Warranty is limited to repair and replacement of defective parts of the LED system and does not include labor or installation. Contact Technical Support for details.

ELECTRICAL DATA P7510-30

Input Voltage	120V
Input Frequency	50/60 Hz
Input Current	0.04A
Input Power	4.4W
Power Factor	>0.90
THD	<20%
EMI Filtering	FCC 47CFR Part 15, Class B
Operating Temperature	-30°C to 85°C
Dimming	Yes*
Over-voltage, over-current, short-circuit protected	
*See Dimming Notes for more information	

P7510-30
 LED Light Engine: 3000K 84 CRI
 System Wattage: 4.4
 Fixture delivered lumens: 274
 Fixture Efficacy: 62
 Spacing Criteria: 1.2



CANDELA DISTRIBUTION

DEG	CANDELA
0	114
5	113
15	109
25	101
35	89
45	70
55	46
65	24
75	9
85	2
90	0

ZONAL LUMEN SUMMARY

ZONE	LUMENS	%LUMINAIRE
0-30	88	32.1%
0-40	143	52.2%
0-60	238	86.8%
0-90	275	100%

Test No. CSA 2650079.7340
 Tested at 25°C Ambient in accordance to IESNA LM-79-2008