

PF1500 Series

High-Efficiency Toilet



Product Features

- 1.28 GPF HET, High Efficiency Toilet
- Gravity fed, jetted box rim
- 2-1/8" fully glazed trapway
- High performance 3" flush valve
- 9" x 7" water surface
- Close coupled tank with cover
- Quick connect, 2 bolt tank to bowl installation
- Standard chrome trip lever
- Available round front, elongated and ADA
- Seat and supply not included
- Anti-siphon fill valve
- Sanitary Bar on all bowls
- Uses 20% less water than standard low consumption toilets



PF1503WH/PF6112WH

Codes and Standards

- ADA (PF1503WH)
- IAPMO/cUPC
- ASME A112.19.2 / CSA B45.1-2008
- EPA WaterSense Certified
- MaP tested 1000g
- LEED Compliant

Model Numbers

PF1500WH	Round Front HET Bowl, White
PF1501WH	Elongated HET Bowl, White
PF1503WH	ADA Height HET Bowl, White
PF6112WH	1.28 HET Tank w/ 12" RI for PF1500 series
PF6110WH	1.28 HET Tank w/ 10" RI for PF1500 series
PF6114WH	1.28 HET Tank w/ 14" RI for PF1500 series
PF6112RWH	1.28 RH Tank w/ 12" RI for PF1500 series





High-Efficiency Toilet

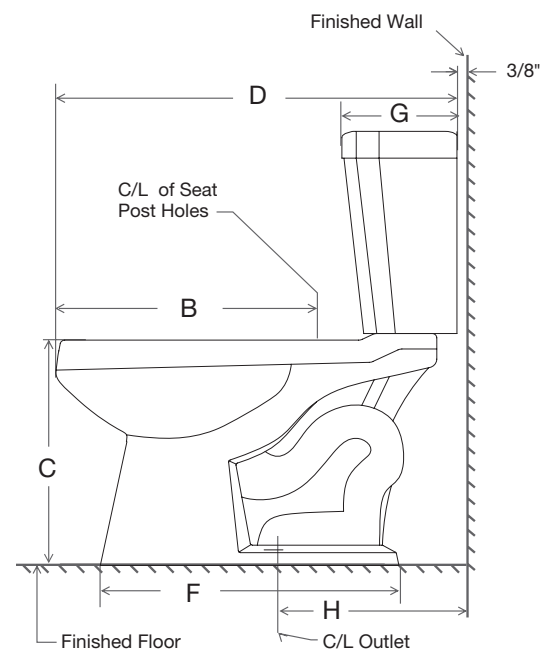
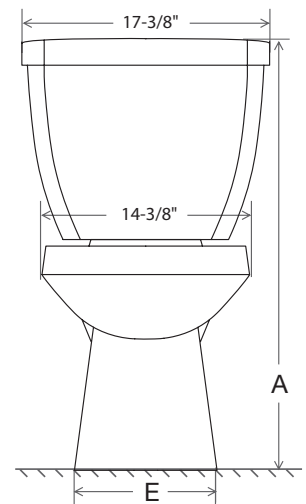
Product Specification

The combination toilet shall be made of vitreous china. Toilet shall be 1.28 gpf (4.8 lpf). Toilet shall have 2-1/8" (5.4cm) fully glazed trapway. Toilet shall include chrome trip lever. Toilet shall be less seat and supply. Toilet shall be ADA compliant (PF1503) with 17" high bowl.

	RF	EL	ADA
	PF1500/PF6112	PF1501/PF6112	PF1503/PF6112
A	30"	30"	31-1/2"
B	16-1/2"	18-1/2"	18-1/2"
C	15-1/2"	15-1/2"	17"
D	27-5/8"	29"	29-1/4"
E	10"	9-7/8"	10"
F	20-5/8"	21-3/8"	21"
G	8"	8"	8"
H	12"	12"	12"

	PF1500/PF6110	PF1501/PF6110	PF1503/PF6112
D	26-1/4"	27-7/8"	28-1/8"
G	6-3/4"	6-3/4"	6-3/4"
H	10"	10"	10"

	PF1500/PF6114	PF1501/PF6114	PF1503/PF6114
D	29-7/8"	31-1/2"	31-3/8"
G	10-1/4"	10-1/4"	10-1/4"
H	14"	14"	14"



Warranty and Codes

This product comes complete with installation, operating, care and maintenance instructions. All PROFLO fixtures carry a 1- year limited warranty. This product meets or exceeds ASME/ANSI A112.19.2M. In an effort to continually improve our products, we will make design changes from time to time. We reserve the right to ship newly designed product to fill any order unless we agree in writing to do otherwise.

