

**PFXC1501**

# Single Handle Kitchen Faucets



## Product Features

- 1 or 3 hole installation
- Flow rate: 1.5 GPM
- Metal lever handle
- Ceramic disc cartridge
- Copper waterways
- Optional deck plate included
- Max deck thickness: 1-1/2"
- 1/2" IPS connections
- Brass construction
- Meets ANSI:A112.18.1M
- NSF 61 compliant
- cUPC/IAPMO listed



**PFXC1501**

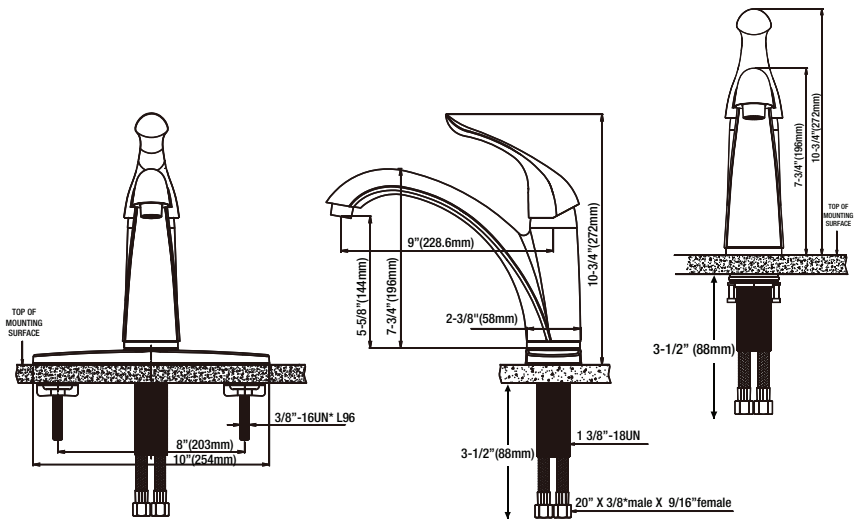
## Model Numbers

- PFXC1501CP** Chrome, less spray  
**PFXC1501BN** Brushed nickel, less spray  
**PFXC1501ORB** Oil Rubbed Bronze, less spray

## Product Specifications

## Available Parts

- PF3357061WTY** Ceramic disc cartridge



## Warranty and Codes

This product comes complete with installation, operating, care and maintenance instructions. This PROFLO faucet carries a limited lifetime warranty when installed in residential applications. The warranty is five years in commercial applications. This product meets ANSI: A112.18.1M. \*Compliant with lead content requirements of US Senate Bill S.3874

