

PFX304 / PFX3045

TWO HANDLE COMMERCIAL LAVATORY FAUCET



Model Numbers

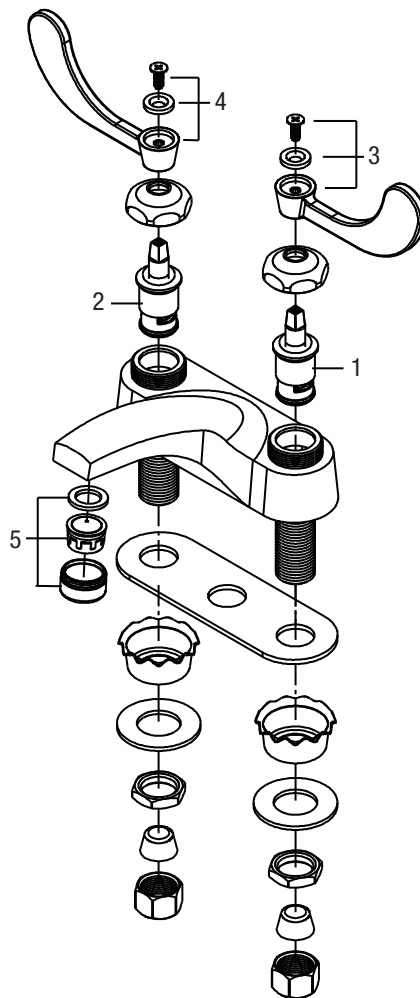
PFX304 (1.5GPM) Chrome
 PFX3045 (0.5GPM) Chrome



PFX3045

NO.	Part & Code	Material
1	Cold cartridge OBPF210701044	Low-lead brass
2	Hot cartridge OBPF210701045	Low-lead brass
3	Cold handle OBPF74020319026C	Zinc
4	Hot handle OBPF74020319026H	Zinc
5	Aerator kit OBPF54013605226 (PFX304) OBPF54013606326 (PFX3045)	NBR
		POM
		Brass

* Specify Finish



Warranty and Codes

This product comes complete with installation, operating, care and maintenance instructions. This PROFLO faucet carries a limited lifetime warranty when installed in residential applications. The warranty is five years in commercial applications. This product meets ASME: A112.18.1. Compliant with lead content requirements of US Senate Bill S.3874

