

PFWS7850

Single Handle Lavatory Faucet



Product Features

- 1 hole installation
- Flow rate: 1.5 GPM
- Metal lever handles
- Ceramic disc cartridge
- With brass pop-up
- Max deck thickness: 1-1/8"
- 1/2" IPS connections
- Metal construction
- Meets ANSI:A112.18.1M
- NSF 61 compliant
- cUPC/IAPMO Listed
- WaterSense rated



PFWS7850

Model Numbers

- PFWS7850CP polished chrome finish
- PFWS7850BN brushed nickel finish
- PFWS7850ORB oil rubbed bronze finish

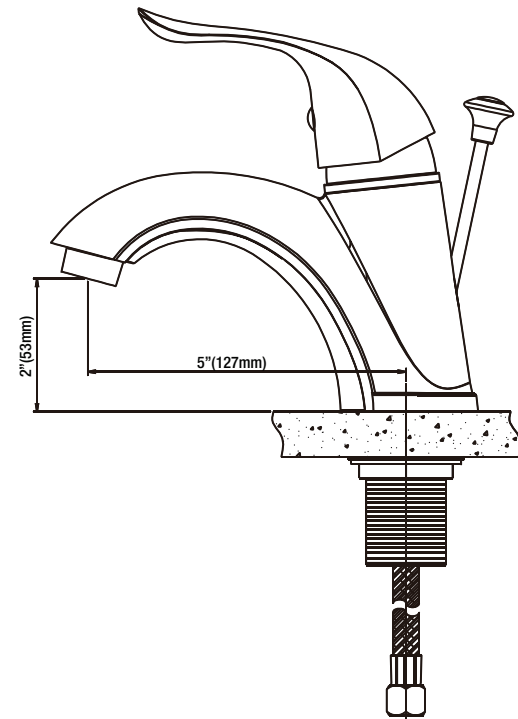
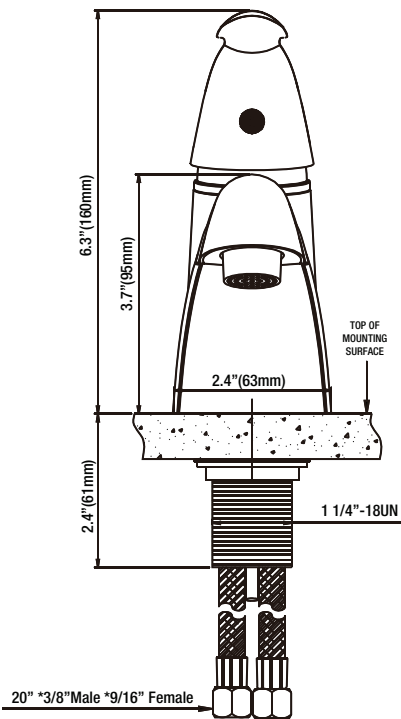
Available Parts

- Cartridge PF3357061WTY

Optional Accessory

- PF78CP (BN & ORB) - Optional 4cc deck plate

Product Specifications



Warranty and Codes

This product comes complete with installation, operating, care and maintenance instructions. This PROFLO faucet carries a limited lifetime warranty when installed in residential applications. The warranty is five years in commercial applications. This product meets ANSI: A112.18.1M. *Compliant with lead content requirements of US Senate Bill S.3874

