

PFCT100HE, PFCT101HE, PFCT103HE



High-Efficiency Complete Toilet

Product Features

- Includes two-piece toilet combination, toilet seat, wax ring and flange bolts - all in one box
- 1.28GPF HET, High Efficiency Toilet
- Gravity fed, jetted box rim
- 8" x 9" water surface
- Close coupled tank with cover
- Standard color match trip lever
- Available round front, elongated and ADA
- Anti-siphon fill valve
- Sanitary Bar on all bowls
- Uses 20% less water than standard low consumption toilets
- EPA WaterSense Certified
- Meets ANSI ASME A112.19.14-2006 and ASME A112.19.2M



PFCT103HEWH

Codes and Standards

- ADA (PFCT103HE)
- IAPMO/UPC
- ASME A112.19.2
- CSA B45.0
- CSA B45.1

Model Numbers

PFCT100HEWH	2pc RF HET with seat, wax ring and bolts, white
PFCT101HEWH	2pc EL HET with seat, wax ring and bolts, white
PFCT103HEWH	2pc ADA HET with seat, wax ring and bolts, white



Distributed Exclusively by Ferguson and Wolseley Canada

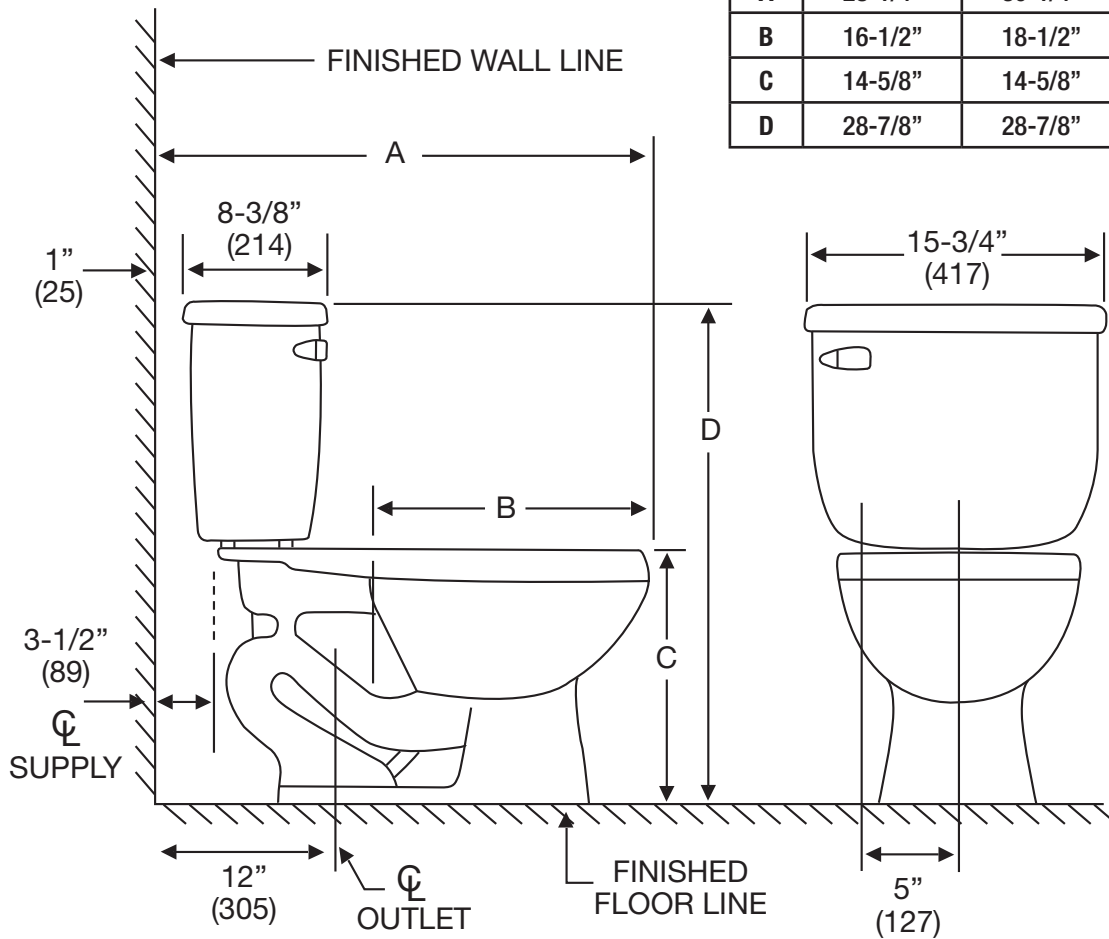


High-Efficiency Complete Toilet

Product Specification

The combination toilet shall be made of vitreous china. Toilet shall be 1.28 gpf (4.8 lpf). Toilet shall have 2" (5.1cm) fully glazed trapway. Toilet shall include color match trip lever. Toilet shall be less seat and supply. Toilet shall be ADA compliant (PFCT103HE) with 17" high bowl.

	RF	EL	ADA
	PFCT100HE	PFCT101HE	PFCT103HE
A	28-1/4"	30-1/4"	30-1/4"
B	16-1/2"	18-1/2"	18-1/2"
C	14-5/8"	14-5/8"	17"
D	28-7/8"	28-7/8"	31-1/4"



Warranty and Codes

This product comes complete with installation, operating, care and maintenance instructions. All PROFLO fixtures carry a 1- year limited warranty. This product meets or exceeds ASME/ANSI A112.19.2M. In an effort to continually improve our products, we will make design changes from time to time. We reserve the right to ship newly designed product to fill any order unless we agree in writing to do otherwise.

