

Parts Breakdown

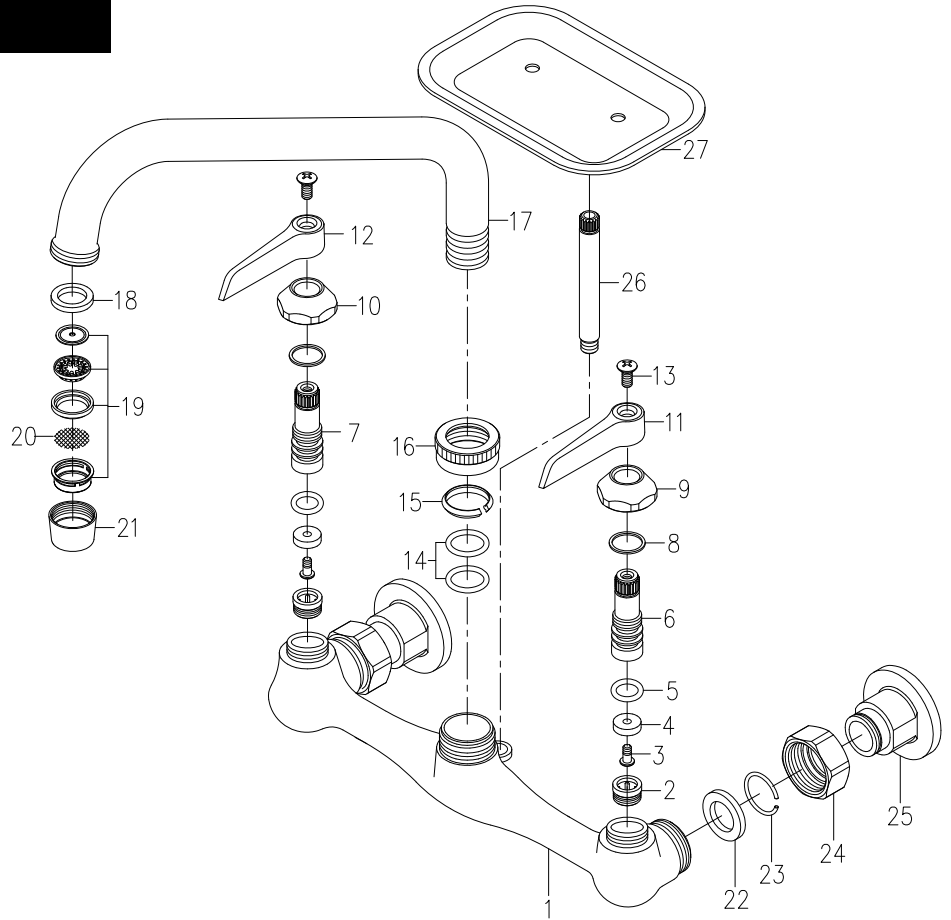
Low Lead Two-Handle Wall Mount Utility Faucet PFX80012



PFX80012

ITEM	DESCRIPTION	MATERIAL	QTY
21	AERATOR SHEEL	BRASS	1
22	PACKING	RUBBER	1
23	A CIRCLE	STAINLESS STEEL	2
24	NUT	BRASS	2
25	FLANGE NUT	NO-LEAD BRASS	2
26	STEM	BRASS	1
27	SOAP DISH	ZINC	1

ITEM	DESCRIPTION	MATERIAL	QTY
1	BODY	NO-LEAD BRASS	1
2	SEAT	NO-LEAD BRASS	2
3	SCREW	BRASS	1
4	PACKING	RUBBER	1
5	O-RING	RUBBER	1
6	STEM	NO-LEAD BRASS	1
7	STEM	NO-LEAD BRASS	1
8	O-RING	RUBBER	1
9	BONNET	NO-LEAD BRASS	1
10	BONNET	NO-LEAD BRASS	1
11	HANDLE	ZINC	1
12	HANDLE	ZINC	1
13	SCREW	BRASS	1
14	O-RING	RUBBER	2
15	A CIRCLE	PLASTIC	1
16	SPOUT NUT	BRASS	1
17	SPOUT NUT	BRASS	1
18	PACKING	RUBBER	1
19	INNER RACE	POM	1
20	FILTER	STAINLESS STEEL	1



Warranty and Codes

This product comes complete with installation, operating, care and maintenance instructions. This PROFLO faucet carries a limited lifetime warranty. This product meets ANSI: A112.18.1M. *Compliant with lead content requirements of California AB 1953 & Vermont S.152.

