

60 x 36 Plus A Series Whirlpool & Soaking Baths



Product Features

- Durable easy-care acrylic construction
- Textured slip-resistant bottom
- Eight adjustable, color matched hydro jets, including two lumbar jets
- High efficiency 5.6 amp/.8 HP motor
- Heater blank, safety suction and silent air induction
- Available as an invigorating whirlpool and an unjetted soaking bath
- Air activated on/off switch

General Specifications

- 60" length overall
- 36" width overall
- 19 1/2" overall height
- 45 gallon operating capacity
- 60 gallon total capacity to overflow
- Pre-wired for simple pug-in installation
- Requires a single 115V/20 amp GFCI circuit

Color Palette

- White - WH
- Biscuit - BS

Model Numbers

PFWPLUSA6036	60" x 36" acrylic whirlpool
PFS6036A	60" x 36" acrylic soaking bath
PFSK60	5' removable apron
PFSK60RP	5' removable panel apron
PFTLK	Tile flange kit
MIRPRESSHTR	Whirlpool heater

Recommended Parts

PF1641	PVC/ABS	17"-22" Tub depth
PF1642	PVC/ABS	23"-27" Tub depth

Warranty and Codes

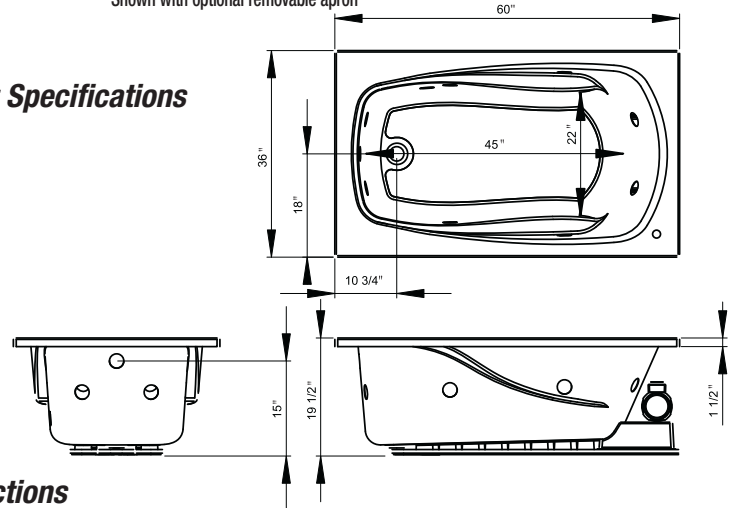
This product features a 5-year limited warranty and meets or exceeds the following standards: Whirlpools - IAPMO PS32-84, UL listing 27E7, ANSI Z124.1-95, ASME A112.19.8M-87R(96) and ASME A112.19.7M-95. Baths - ANSI Z124.1-95. In an effort to continually improve our products, design changes may periodically be made. Ferguson reserves the right to provide newly designed material to fill any order unless otherwise agreed to in writing.



PFWPLUSA6036WH

Shown with optional removable apron

Product Specifications



Installation Instructions

Never allow the weight of the tub to be supported by lip on deck or stringers, as this could result in product failure and void the Warranty. If utilities are available, level and fill tub with water and test for proper operation and drainage or possible water leaks due to transit/handling damage. It is REQUIRED that the tub be supported by the tub bottom and not the tub lip. The lip should only rest on the finished deck surface or support stringers. The tub bottom must be supported by a setting compound such as cement or mortar (fast cure materials are not recommended due to excessive shrinkage). Failure to use a suitable setting compound will void the warranty. A sheet of plastic film on top of compound, is recommended as a barrier. The tub should be set in place (do not handle whirlpool by piping) while compound is still soft so that the compound will conform to the tub bottom. Tub should be worked down into compound so the lip of the tub just makes contact with finished deck surface or support stringers. It may be necessary to partially fill tub with water to aid in properly setting the tub.

NOTE: All dimensions and specifications are nominal and may vary $\pm \frac{1}{4}$ ".
Use actual products for accuracy in critical situations.