



---

## INSTALLATION AND OPERATING MANUAL

---

READ THESE INSTRUCTIONS COMPLETELY BEFORE INSTALLING THE PRODUCT. FOR PRODUCT OR INSTALLATION QUESTIONS PLEASE CALL CUSTOMER SERVICE AT 1-800-221-3379.

YOU MUST FOLLOW ALL INSTRUCTIONS IN THIS MANUAL: FAILURE TO DO SO WILL RESULT IN YOUR ASSUMPTION OF LIABILITY AND WILL VOID WARRANTY AND CAN RESULT IN PRODUCT DAMAGE OR PERSONAL INJURY.

FAILURE TO USE A SUITABLE SETTING COMPOUND WILL VOID THE WARRANTY.

THIS PRODUCT IS DESIGNED TO BE INSTALLED BY A LICENSED TRADESMAN. LICENSED PLUMBERS AND ELECTRICIANS SHOULD BE EMPLOYED TO INSURE PROPER INSTALLATION. I INSTALLERS ASSUME ALL LIABILITY FOR THE CORRECT INSTALLATION PROCEDURES.

Only accessories authorized by the manufacturer should be used with this product. This product is designed for residential use and use by healthy individuals.

IMPORTANT SAFETY INSTRUCTIONS: WARNING! WHEN USING THIS PRODUCT, BASIC PRECAUTIONS SHOULD ALWAYS BE FOLLOWED. READ AND FOLLOW ALL INSTRUCTIONS PERTAINING TO RISK OF FIRE, ELECTRIC SHOCK, OR INJURY TO PERSONS.

INSTALLER: LEAVE THIS MANUAL FOR HOMEOWNER.  
HOMEOWNER: READ THIS MANUAL AND KEEP FOR FUTURE REFERENCE.

---

## TABLE OF CONTENTS

---

Important Safety Information .....	3-4
Recommended Tools and Material .....	4
Inspection & Testing .....	4
Electrical Requirements & Information .....	5
Framing & Installation .....	6-8
Rough-in Dimensions .....	9-10
Care & Cleaning/Maintenance .....	11
Operating Instructions .....	11
Jet Operation and Adjustment.....	12
Troubleshooting .....	13
Warranty.....	13



 **WARNING**

**IMPORTANT SAFETY INSTRUCTIONS**

SAVE THIS MANUAL: RETAIN FOR CONSUMER'S USE. READ THESE INSTRUCTIONS COMPLETELY BEFORE INSTALLING THE PRODUCT: FOR PRODUCT OR INSTALLATION QUESTIONS PLEASE CALL CUSTOMER SERVICE AT 1-800-221-3379.

YOU MUST FOLLOW ALL INSTRUCTIONS IN THIS MANUAL: FAILURE TO DO SO WILL RESULT IN YOUR ASSUMPTION OF LIABILITY AND WILL VOID WARRANTY AND CAN RESULT IN PRODUCT DAMAGE OR PERSONAL INJURY. FAILURE TO USE A SUITABLE SETTING COMPOUND WILL VOID THE WARRANTY.

THIS PRODUCT IS DESIGNED TO BE INSTALLED BY A LICENSED TRADESMAN. LICENSED PLUMBERS AND ELECTRICIANS SHOULD BE EMPLOYED TO INSURE PROPER INSTALLATION. INSTALLERS ASSUME ALL LIABILITY FOR THE CORRECT INSTALLATION PROCEDURES.

Only accessories authorized by the manufacturer should be used with this product.

This product is designed for residential use and use by healthy individuals.

 **WARNING**

**IMPORTANT SAFETY INSTRUCTIONS**

WHEN USING THIS PRODUCT, BASIC PRECAUTIONS SHOULD ALWAYS BE FOLLOWED. READ AND FOLLOW ALL INSTRUCTIONS PERTAINING TO RISK OF FIRE, ELECTRIC SHOCK, OR INJURY.

 **WARNING**

**IMPORTANT SAFETY INSTRUCTIONS**

INSTRUCTIONS PERTAINING TO A RISK OF FIRE, ELECTRIC SHOCK OR INJURY TO PERSONS READ AND FOLLOW ALL INSTRUCTIONS!

 **WARNING**

Risk of personal injury. Do not permit children to use this unit without adult supervision.

 **WARNING**

Risk of personal injury. Do not operate this unit without the guard over the suction fitting.

 **WARNING**

Risk of electric shock. Do not permit electrical appliances (hair dryer, telephone, radio, etc.) within 60 inches (1524mm) of this unit.

 **WARNING**

Risk of hypothermia and possible drowning. People using medications and/or having adverse medical history should consult a physician before using this product.

 **WARNING**

Risk of personal injury. Do not overfill unit before entering. Entering tub when filled more than 2/3 can cause overflow and slippery conditions. Exercise caution when entering and exiting.

 **WARNING**

No Food or Alcoholic Beverages. Use of your bathtub immediately after meals is not recommended. Avoid alcohol consumption before or during bathing. Alcoholic beverages can cause drowsiness or hypothermia resulting in loss of consciousness or even drowning.

 **WARNING**

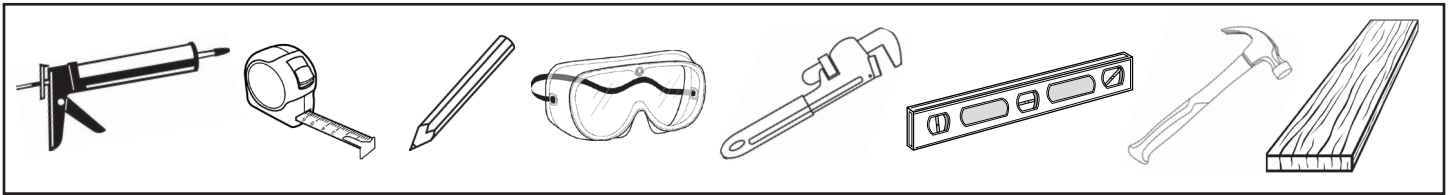
Pregnancy. If you are or think you may be pregnant, consult your physician before using the bathtub. Never drop or insert any object into any opening. Use this unit only for its intended use as described in this manual. Do not use any attachments not recommended by PROFLO. This equipment is intended for indoor use only.

## IMPORTANT SAFETY INSTRUCTIONS

The unit must be connected only to a supply circuit that is properly protected by a 20 amp ground-fault circuit interrupter (GFCI). Such a GFCI should be provided by the installer and should be tested on a routine basis. To test the GFCI, push the test button. The GFCI should interrupt power. Push the reset button. Power should be restored. If the GFCI fails to operate in this manner, the GFCI is defective. If the GFCI interrupts power to the bathtub without the test button being pushed, a ground current is flowing, indicating the possibility of an electric shock. Do not use this total massage, whirlpool or air bathtub. Disconnect The total massage, whirlpool or air bathtub and have the problem corrected by a licensed electrician before using.

A pressure wire connector is provided on the exterior of the motor unit to permit connection of a no. 8 AWG solid copper bonding conductor between this unit and all other electrical equipment and exposed metal in the vicinity, as needed to comply with local requirements. To reduce the risk of an electric shock, connect this connector to the grounding terminal of your electric service or supply panel with a conductor equivalent in size to the circuit conductors supplying this unit. Use supply wires that are suitable for 167°F (75°C), including the temperature rating of the supply conductors to be used. Building materials and wiring should be routed away from the motor/pump or blower or other heat producing components of this unit.

## RECOMMENDED TOOLS AND MATERIAL



- Silicone sealant
- Tape measure
- Pencil
- Safety glasses
- Pipe wrench
- Level
- Conventional woodworking tools and materials
- Drop cloth
- 2x4's
- Mortar
- Optional: construction adhesive

## INSPECTION AND TESTING

Each bath arrives ready for installation, completely equipped with the pump and plumbing necessary for operation. However, a drain/overflow kit is required for each bath and it is not included.

The variety of installations for this bath may require framing procedures other than those shown. Locate studs as required. Ensure roughing-in dimensions (see pg. 11) are proper, plumb, and square.

Inspection:

- Remove the bath from the carton. Retain the shipping carton until satisfactory inspection of the product has been made. Do not lift the bath by the plumbing at any time; handle by the shell only. All bath units are factory tested for proper operation and watertight connections prior to shipping.
- Inspect the shell and bathtub components. Should inspection reveal any damage or defect in the finish or visible damage to any components, do not install the bathtub. Damage or defect to the finish claimed after the bathtub is installed is excluded from the warranty.
- Inspect the tub components for loose fittings.

Testing:

- Prior to installation and before enclosing with wallboard, tile, etc., the bath must be filled with water and operated to check for leaks that may have resulted from shipping damage or mishandling.
- It is the responsibility of the installer to thoroughly test the tub prior to completing installation. Place the tub on a level surface, ensure drain is sealed and fill the bathtub with water to the bottom of the overflow. Allow water to sit in tub for at least 5 minutes as a static test. If installing a system tub, plug in the motor/ pump and turn it on. Confirm all features function correctly. Visually inspect all joints for leaks.

DO NOT install tub if any leaks are detected or system functions do not work properly.

## ELECTRICAL REQUIREMENTS AND INFORMATION

1. Whirlpool units require dedicated 20 Amp, 120V service.
2. You must provide a receptacle with a 20-amp configuration.
3. See local codes for proper wire size. If not specified, use #12 Copper only wire.

The unit must be connected to a circuit interrupter (GFCI) provided by the installer. The (GFCI) breaker should be tested on a routine basis. To test the (GFCI) breaker, push the test button. The GFCI should interrupt power. To restore power, push the RESET button. If the GFCI fails to operate in this manner there is ground current flowing, indicating the possibility of an electrical shock. Do not use the unit. Disconnect the unit and have the problem corrected by a qualified service representative before using.

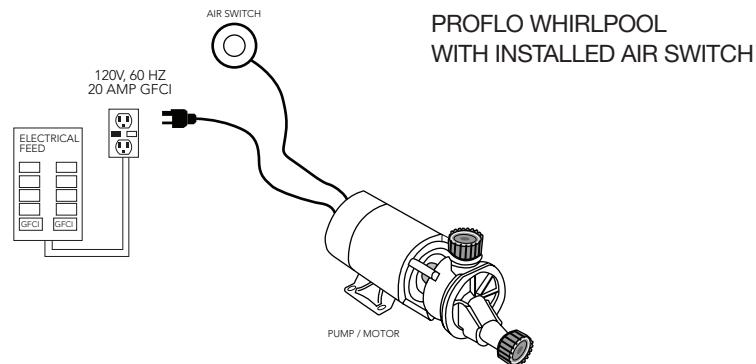
### WARNING

**RISK OF ELECTRICAL SHOCK.** All pumps and blowers must be connected to a ground fault circuit interrupter (GFCI) protected outlets. Standard Line Total Massage units can be operated on a single service. All heaters must be connected to a ground fault circuit interrupter (GFCI) protected outlets, separate from the pump and/or blower.

### WARNING

Electrical outlet must be mounted 4" (101mm) above the floor line and 12" max (305mm) inside from the edge of the bathtub, or in accordance with local building and electrical codes.

- Risks of component over heat. Do not use electric extension cord to power the unit. Operating the pump without enough water in bathtub can cause permanent damage to the pump/motor.
- If CFGI unit indicates a malfunction, per manufacturer's instructions, turn OFF power and do not attempt to use the bathtub until the source of the problem has been identified and corrected.



## FRAMING AND INSTALLATION

Structural measurements should be verified against the actual bath received to ensure proper fit.

- Never lift the tub by the plumbing. Doing so can result in leaks.
- Check if the floor is level and of good quality. An uneven floor may impede proper installation of the tub.
- Clean installation area of any debris or trash.

Locate studs as needed. Ensure roughing-in dimensions are proper, plumb and square. Provisions must be made in all installations for an access opening for servicing the pump and controls on the pump or blower side.

An access opening of at least 18" x 24" must be provided or warranty service will not be performed. It is strongly recommended that an additional opening be provided for access to the drain components. The apron should not be used as the primary access opening.

If the sub-floor is not level, you must level the entire surface prior to installing the bathtub.

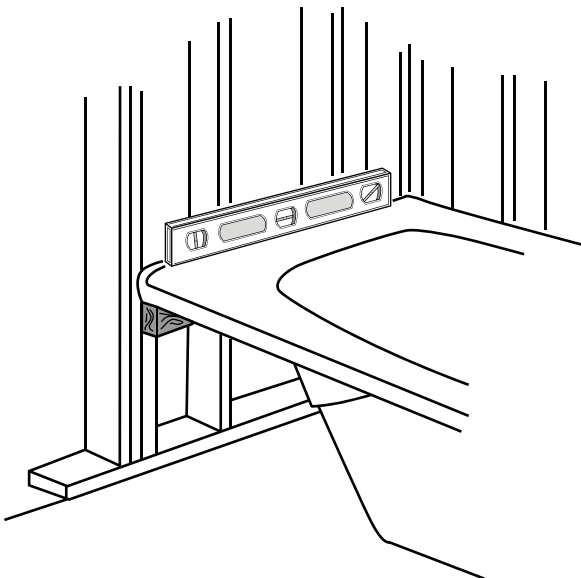
Ensure that the entire floor is level and can support a load of 80lbs. per square foot.

The bathtub must remain level in order for it to drain properly and must make contact with the leveling material.

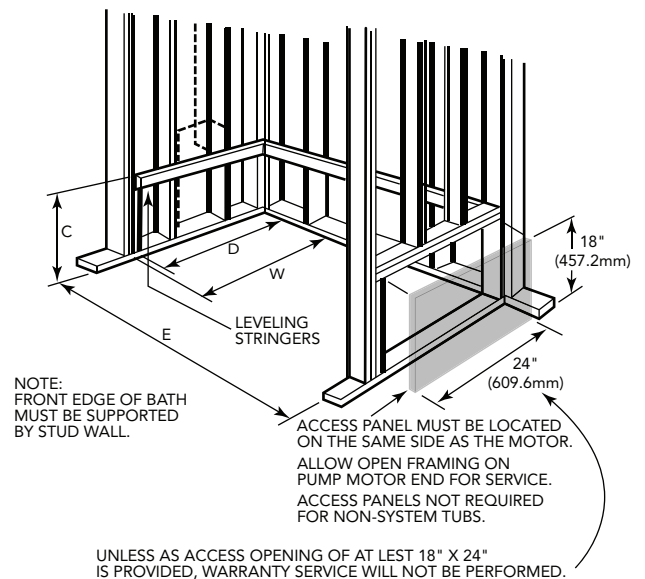
1. Position the tub into the installation opening and level the deck in both directions, shimming the base of the tub if necessary. Mark the final position of the underside of the deck by tracing a line on to the studs (see Figure 1).
2. Remove the tub and attach a 1 x 4 stringer to the studs, with the top of the stringer touching the traced line. Never support the tub by its deck lip or stringers (see figure 2).
3. Install drain components to the tub following the drain installation instructions. Note that this requires a cutout in the floor. Before replacing your tub for final installation, bathtubs require a 6" x 12" floor opening for the 1-1/2" drain and waste & overflow kit. The drain/overflow of the bath extends below the bottom of the bath.

The bath must be supported along its entire bottom. Do not remove foam base & pad from the bottom of the tub. Use 1-1/2" to 2" of mortar as bedding material (do not use sand or foam). After the mortar has been poured, and before it sets, position tub within recess until the rim is leveled against the leveling stringers (see below).

**FIGURE 1**  
STRINGER INSTALLATION

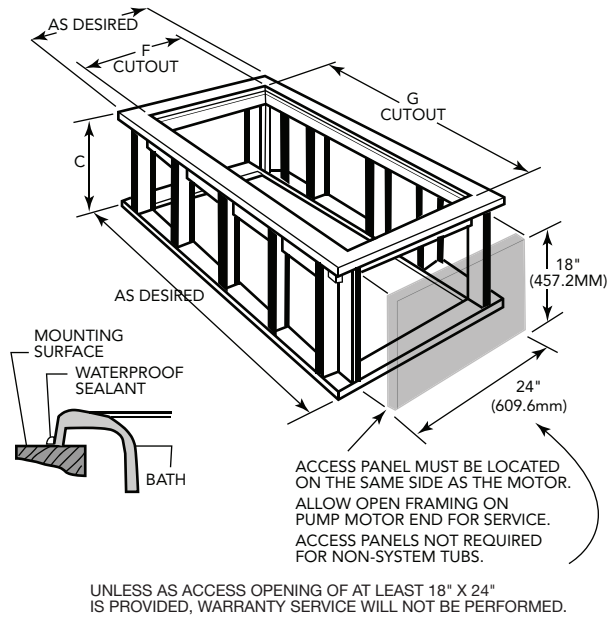


**FIGURE 2**  
TYPICAL ALCOVE INSTALLATION



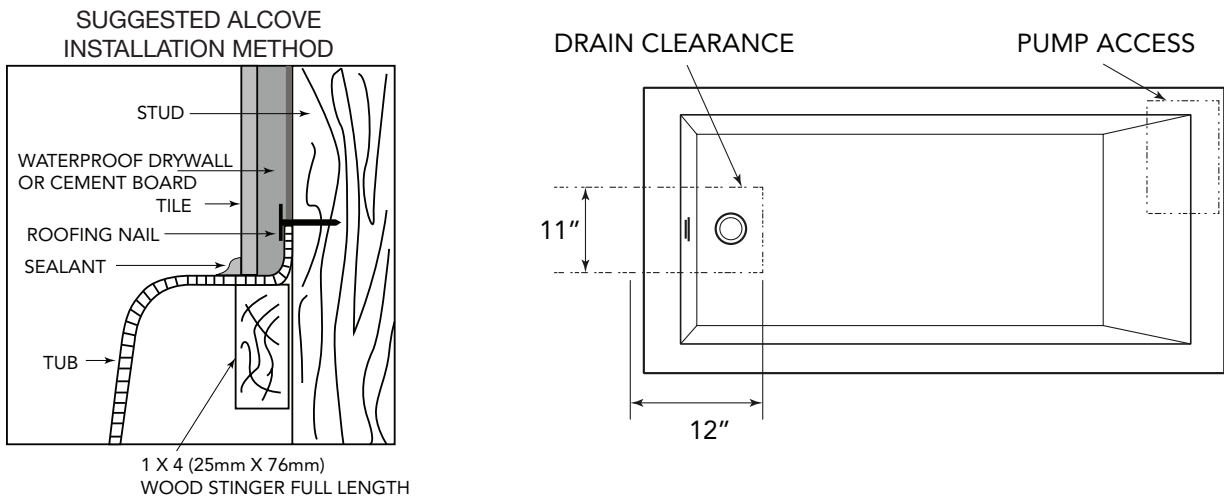
## FRAMING AND INSTALLATION

### TYPICAL DROP-IN TYPE INSTALLATION



## REFERENCE FOR CORRECT TILE FLANGE INSTALLATION

### USE DRAWING BELOW AS A REFERENCE GUIDE FOR ROUGH-IN MEASUREMENTS



Allow the mortar material to completely harden before applying weight to the rim or bottom of the bath. Any finish material such as tile or wall board must be self supporting if it contacts the deck of the bath.

Verify that the product is level by checking the tub deck surface in all directions.

For system tubs ensure blower and or pump cords are properly plugged into the dedicated 120V/20A GFCI outlet to supply electrical power to the system (Please reference pg. 6) for electrical requirement information. To test run the bath, fill the tub with water at least 3" above the highest jet and operate the bath for 5 minutes. Check all bath and piping connections for leaks.

#### POST INSTALLATION CLEAN-UP

Remove all construction debris from bath. Do not use wire brushes or any other metal implement on bath surface.

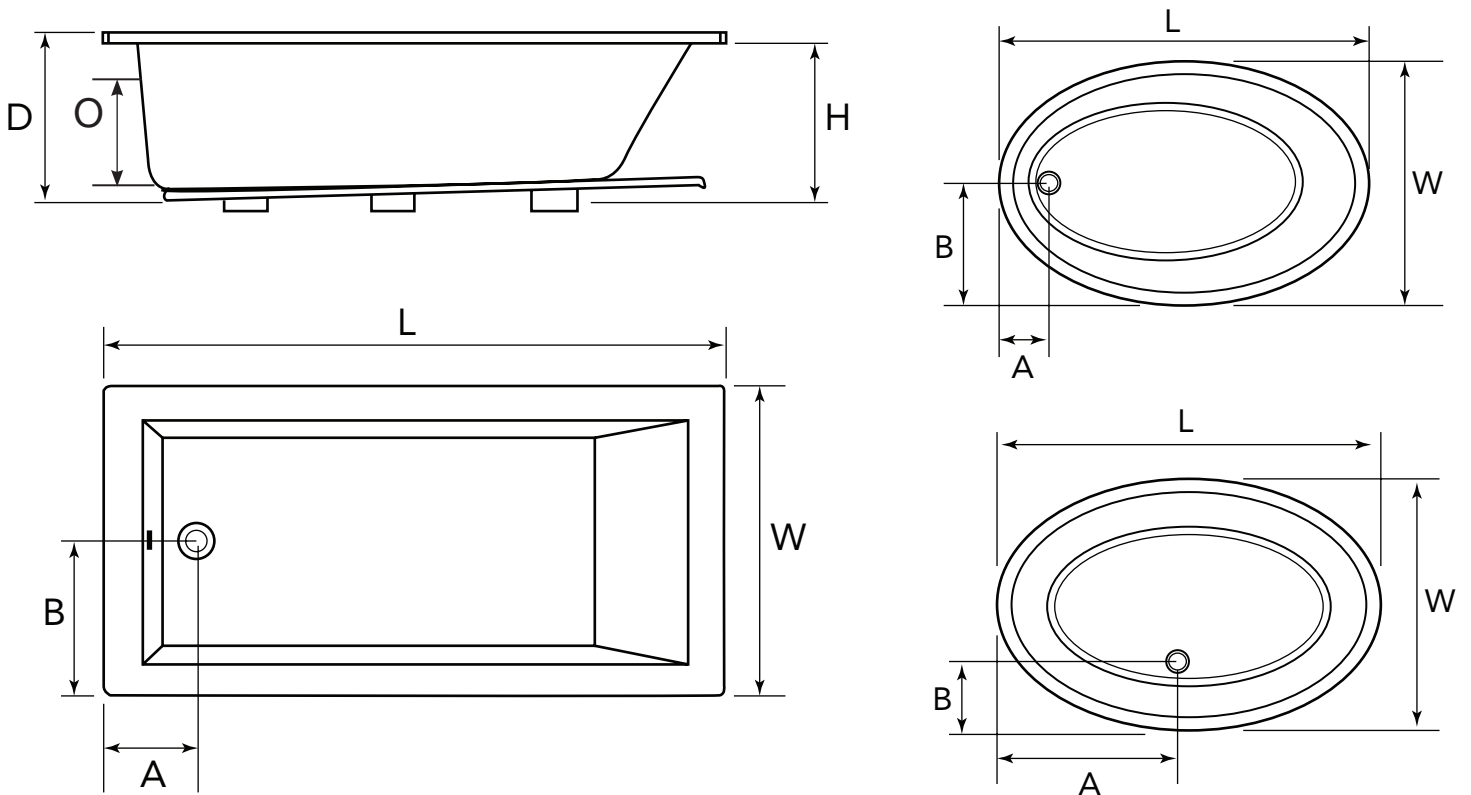
Post installation clean-up generally can be completed using warm water and liquid dishwashing detergent.

Stubborn dirt or stains may be removed using granular Spic and Span® mixed with water. Painter's Naphtha can be used to remove excess adhesives and/or wet oil-base paint.

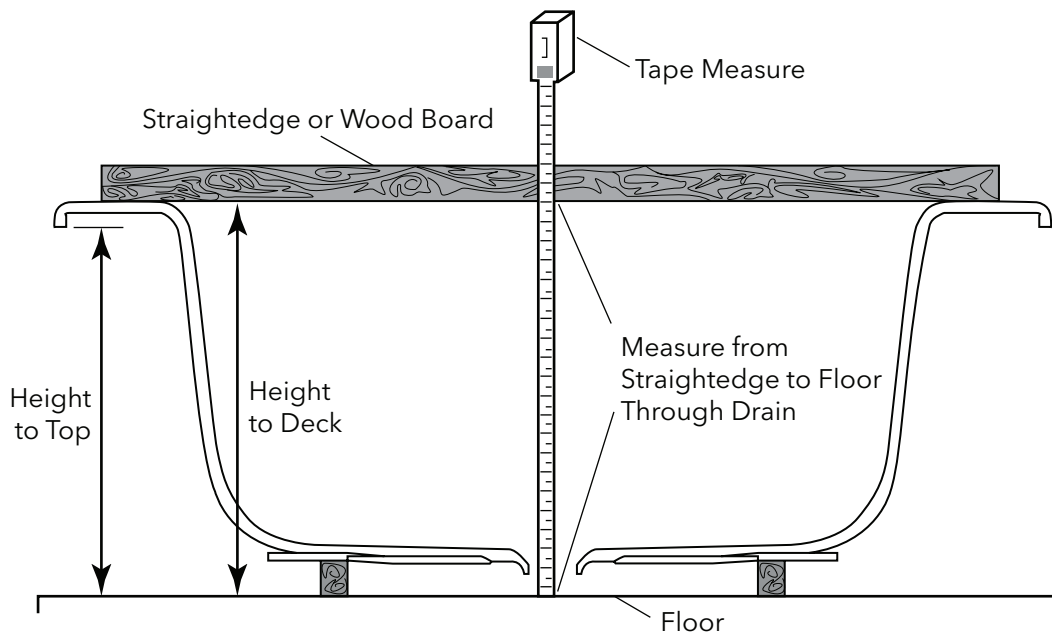
MODEL SEE ILLUSTRATION D	"L" LENGTH	"W" WIDTH	"D" HEIGHT TO DECK	"H" HEIGHT TO LIP	"A" DRAIN LOCATION	"B" DRAIN LOCATION	"O" HEIGHT TO OVERFLOW
PFS5838, PFWPLUS5838	58"	38"	21 1/4"	19 3/4"	6"	19"	16 1/2"
PFS6032A, PFWPLUSA6032	60"	32"	19 1/2"	18"	10 3/4"	16"	15"
PFS6036N, PFWPLUSA6036N	60"	36"	19 1/2"	18"	9 1/2"	18"	14"
PFS6042A, PFWPLUSA6042	60"	42"	19 1/4"	18"	11"	21"	15"
PFS6060, PFWPLUSA6060L/R	60"	26"	21"	19 1/2"	35 1/2"	35 1/2"	17"
PFS7040, PFWPLUSA7040	70"	40"	20"	18 1/2"	6 3/4"	20"	16 1/4"
PFS7236A, PFWPLUSA7236	72"	36"	19 3/4"	18 1/4"	10 3/4"	18"	15"
PFS7242A, PFWPLUSA7242	72"	42"	19 1/4"	17 3/4"	11"	21"	15"
PFS6032LSK, PFW6032ALSK	60"	32"	18 3/4"	17 1/4"	19 1/2"	16"	14"
PFS6032RSK, PFW6032ARSK	60"	32"	18 3/4"	17 1/4"	19 1/2"	16"	14 1/4"
PFS6036LSKN, PFW6036ALSKN	60"	36"	19 1/2"	18"	9 1/2"	18"	14"
PFS6036RSKN, PFW6036ARSKN	60"	36"	19 1/2"	18"	9 1/2"	18"	14"
PFS6042LSK, PFW6042ALSK	60"	42"	19"	17 1/2"	19 1/2"	21"	14 1/4"
PFS6042RSK, PFW6042ARSK	60"	42"	19"	17 1/2"	19 1/2"	21"	14 1/4"
PFS6636LSK, PFW6636ALSK	66"	36"	19"	17 1/2"	19 1/2"	18"	14 1/4"
PFS6636RSK, PFW6636ARSK	66"	36"	19"	17 1/2"	19 1/2"	18"	14 1/4"
PFS7236LSK, PFW7236ALSK	72"	36"	19"	17 1/2"	19 1/2"	18"	13 3/4"
PFS7236RSK, PFW7236ARSK	72"	36"	19"	17 1/2"	19 1/2"	18"	13 3/4"
PFS7242LSK, PFW7242ALSK	72"	42"	18 3/4"	17 1/4"	11 1/2"	21"	13 3/4"
PFS7242RSK, PFW7242ARSK	72"	42"	18 3/4"	17 1/4"	11 1/2"	21"	13 3/4"
PFS6060SK, PFW6060SKPLA	80"	26"	21 3/4"	20 1/4"	11 1/2"	-	16 1/2"



Use drawing below as a guide for rough-in measurements

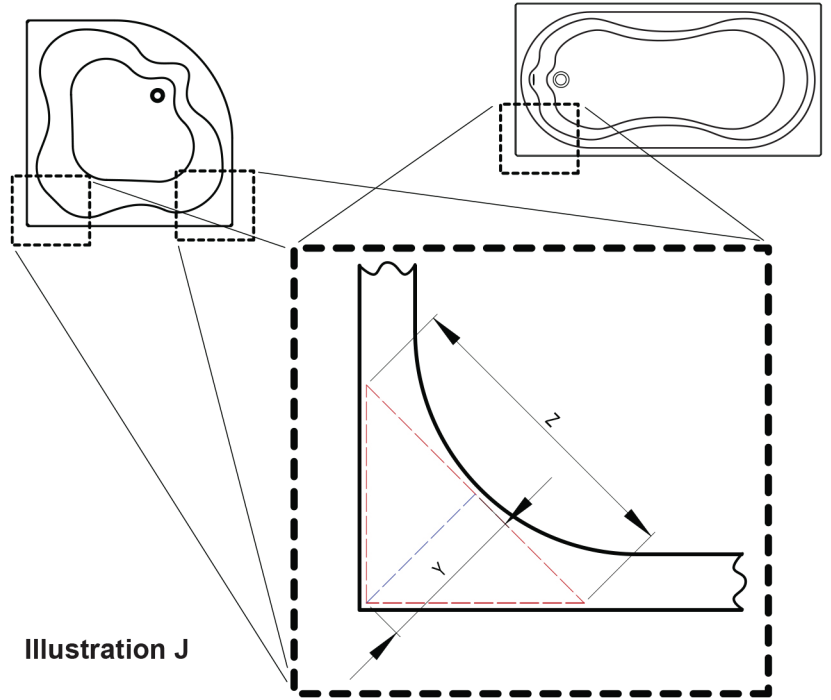


Deck-to-floor dimensions are measured through the drain hole to give a more consistent measurement. The dimensions are achieved by laying a straight edge across the deck; the distance was then measured from the floor at the drain opening to the bottom of the straight edge. (See illustration below). The lip height is then subtracted to give a more consistent floor to lip height. There may be height dimension variations of plus minus 1/4" from the stated dimension in the table, which is a standard production tolerance. Leave adequate clearance with framing for side mounted controls.



## FAUCET DECK MOUNT DIMENSIONS

Deck space where faucets can be mounted is given in diagonal dimension Y and base line dimension Z, which is the long side of the deck corner.








SEE ILLUSTRATION J	LENGTH	WIDTH	"Y" DIAGNOL DECK DIM	"Z" DIAGNOL DECK DIM
PFS5838, PFWPLUS5838	58"	38"	3"	16"
PFS6032A, PFWPLUSA6032	60"	32"	7"	15"
PFS6036N, PFWPLUSA6036N	60"	36"	4"	8 1/2"
PFS6042A, PFWPLUSA6042	60"	42"	10"	21"
PFS6060, PFWPLUSA6060L/R	60"	26"	9"	22"
PFS7040, PFWPLUSA7040	70"	40"	3"	20"
PFS7236A, PFWPLUSA7236	72"	36"	8"	16 1/2"
PFS7242A, PFWPLUSA7242	72"	42"	10 1/2"	21 1/2"
PFS6032LSK, PFW6032ALSK	60"	32"	4"	10"
PFS6032RSK, PFW6032ARSK	60"	32"	4"	10"
PFS6036LSKN, PFW6036ALSKN	60"	36"	4"	8"
PFS6036RSKN, PFW6036ARSKN	60"	36"	4"	8"
PFS6042LSK, PFW6042ALSK	60"	42"	8"	18"
PFS6042RSK, PFW6042ARSK	60"	42"	8"	18"
PFS6636LSK, PFW6636ALSK	66"	36"	8"	18"
PFS6636RSK, PFW6636ARSK	66"	36"	8"	18"
PFS7236LSK, PFW7236ALSK	72"	36"	7"	14 1/2"
PFS7236RSK, PFW7236ARSK	72"	36"	7"	14 1/2"
PFS7242LSK, PFW7242ALSK	72"	42"	6 1/2"	15"
PFS7242RSK, PFW7242ARSK	72"	42"	6 1/2"	15"
PFS6060SK, PFW6060SKPLA	80"	26"	11"	20"

## CARE AND CLEANING

The use of bath oils and bath salts is not recommended due to the difficulty in cleaning the systems and doing so will void the consumer's warranty.


Pump and pipe circulation system should be flushed before first use and on a monthly basis when product is under normal use.

Below are the recommended procedures for cleaning:

-  DO NOT use powdered cleaners unless cleaner is fully dissolved in water.
-  DO NOT RUN WHIRLPOOL DRY. Fill the tub with hot water 2-3 inches above the jets and add 2-3 teaspoons of low foaming detergent such as dish washing machine detergent.
-  DO NOT use full strength bleach or ammonia cleaning solutions. Chemically active cleaning solution can damage the bath surface.
  - Switch on whirlpool and run for 10 minutes.
  - Drain tub completely.
  - Fill tub with cold water above jets.
  - Switch on whirlpool and run for 5 minutes.
  - Drain tub completely.
-  DO NOT USE ABRASIVE CLEANERS as they will scratch and dull the surface of the acrylic and void the consumer warranty. Plaster can be removed using a sharpened wooden stick.
-  DO NOT USE METAL SCRAPERS, WIRE BRUSHES OR OTHER HARSH ABRASIVE TOOLS.

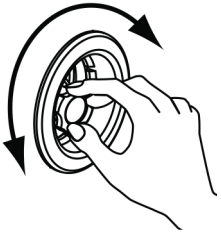
Usually a mild detergent will remove construction debris. More stubborn debris may be removed with denatured alcohol, or Clorox Soft Scrub® cleaner. Light scratches and dulled areas may be restored to original luster by rubbing with an automotive type cleaning compound such as DuPont White Polishing Compound®.

Note: To restore dull or scratched units: Apply white automotive polishing with a clean rag. Rub scratches and dull areas vigorously. Wipe off residue. Follow with a coat of white automotive paste wax.

-  DO NOT wax areas where you walk or stand. For crack and major surface damage, call customer service at 1-800-221-3379 for repair recommendations.

## OPERATING INSTRUCTIONS

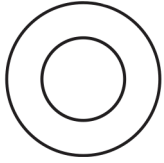
1. Fill the bath to at least 3 inches above the jets before activating the pump. DO NOT turn on whirlpool unless jets are completely submerged in water.
2. If any factory installed fittings are removed; do not operate the unit. A safety hazard may occur.
3. Do not use bubble bath when you operate the whirlpool pump. This might cause excessive foaming.
4. Bath oils should not be used when you operate the whirlpool. If used while soaking, please drain and clean the tub thoroughly prior to activating the whirlpool system.
5. The use of bath salts is not recommended and doing so will VOID THE CONSUMER'S WARRANTY.
6. Whirlpool systems are plumbed in a way that water will drain from the plumbing easily.
7. There are no user serviceable parts located under the tub. If a problem develops, call 1-800-221-3379



## JET OPERATION AND ADJUSTMENT

**PF6036 Jets:** The jets can be easily adjusted by pointing the jet-nozzle in the desired direction. The strength of the water flow and air induction can be regulated through twisting the jet- nozzle. Twisting the nozzle counter-clockwise will decrease the water flow of that particular jet. If the nozzle is twisted clockwise then the water flow will increase up to its maximum flow. Only a 1/4 turn or 90° turn is required from the lowest flow position to the fully OPEN position.

**All other PROFLO jets:** The jets can be easily adjusted by pointing the jet-nozzle in the desired direction. The strength of the water flow and air induction can be regulated through twisting the jet- nozzle. Twisting the nozzle clockwise will decrease the water flow of that particular jet. If the nozzle is twisted counter-clockwise then the water flow will increase up to its maximum flow. Only a 1/4 turn or 90° turn is required from the lowest flow position to the fully OPEN position.



## ON-OFF SWITCH FOR WHIRLPOOL BATHS

The whirlpool bath pump is activated by an on-off switch. Each depression of the switch will actuate the pump. If off, one depression will turn the pump on. If on, the next depression will turn it off.

## THIS PRODUCT IS DESIGNED FOR RESIDENTIAL USE AND USE BY HEALTHY INDIVIDUALS

Children should not be allowed to use these products without adult supervision. Pregnant women and those with heart conditions or other conditions that limit normal physical activity should consult a doctor before use.

## REPAIR PROCEDURES

Most minor scratches (up to 1/64" deep) and cigarette burns can be removed by sanding the area with #180 or #240 wet or dry sand paper and progressing down to #600 or #1200 grit. Finally, apply light buffing compound and buff area with a clean stitched cotton buffing pad or equivalent. Use an extra application of fine buffing compound if necessary. For Cracks and Major surface damage, call our service line (800) 426-8964.

## WHIRLPOOL TROUBLE SHOOTING

### MOTOR WILL NOT START:

1. Check Circuit Breakers.
2. Check for incorrect or loose wire connections.
3. Make sure the correct power supply is being used.
4. On/Off switch should be in the "On" mode. If you push the On/Off switch and you have no resistance when pushing it, the air tube may be disconnected. Check if the air tube is properly connected at the motor and to the nipple of the ON/Off switch. If you hear a click sound when you push the switch, but the motor doesn't begin to run, the electrical circuit of the motor may be defective.
5. Make sure that the jets are fully opened and water is flowing.

### MOTOR OVERHEATING AND CYCLING ON AND OFF:

1. Check for incorrect or loose wire connections.
2. Check for low voltage supply (frequently caused by undersized wire).
3. Make sure the motor gets a fresh air supply and the vents are kept unclogged.

### MOTOR MAKES HUMMING NOISE BUT WON'T START:

1. Open jets see "illustration H"
2. Make sure that the motor shaft turns free.
3. Check for jammed impeller or an obstruction on the (volute) casing.
4. Check for low voltage and undersized wire.

### LOW WATER FLOW:

1. Check for clogged plumbing lines.
2. Check for low voltage.

### WATER LEAKS:

1. Check compression fittings (union connectors) making sure they are properly aligned and secured. **HAND TIGHTEN ONLY. DO NOT USE ANY TOOLS.**
2. Make sure the O-ring is properly seated and not damaged.

## SAVE THESE INSTRUCTIONS

## TROUBLESHOOTING

PROBLEM	CAUSES	SOLUTION
Motor Will Not Start	<ul style="list-style-type: none"> <li>- Circuit breaker may be tripped</li> <li>- Lose/Bad wire connection</li> <li>- GFCI is tripped</li> <li>- Incorrect electrical installation</li> <li>- Jets are closed</li> </ul>	<ul style="list-style-type: none"> <li>- Make sure it is a 20 Amp circuit breaker with nothing else tied to the circuit</li> <li>- Check for incorrect or lose wire connections, and pump/heater has been properly grounded</li> <li>- Reset if necessary</li> <li>- Insure each motor/ in-line heater uses its own 20 Amp circuit breaker and GFCI plug</li> <li>- Make sure that jets are fully operational and water is flowing</li> </ul>
Motor overheating and cycling on and off	<ul style="list-style-type: none"> <li>- Lose/Bad wire connection</li> <li>- Incorrect Amp usage</li> <li>- Air supply to motor</li> </ul>	<ul style="list-style-type: none"> <li>- Check for incorrect or loose wire connections</li> <li>- Check for low voltage supply</li> <li>- Make sure motor gets fresh air supply and vents are not clogged</li> </ul>
Pump/motor operates but jets/air is not fully function	<ul style="list-style-type: none"> <li>- Jets are closed</li> <li>- Suction/ strainer may be clogged</li> <li>- Air valves are closed</li> </ul>	<ul style="list-style-type: none"> <li>- Open jets fully</li> <li>- With pump off, remove the suction cover/ strainer and remove any debris</li> <li>- Open all air control valves</li> </ul>
Motor makes humming noise but won't start	<ul style="list-style-type: none"> <li>- Jets are closed</li> <li>- Pump does not have space to operate</li> <li>- Debris in pump</li> <li>- Incorrect Amp usage</li> </ul>	<ul style="list-style-type: none"> <li>- Make sure jets are fully open</li> <li>- Make sure the motor shaft turns free</li> <li>- Check for jammed impeller or an obstruction on the (volute) casing</li> <li>- Check for low voltage and undersized wire</li> </ul>
Low water flow	<ul style="list-style-type: none"> <li>- Clogged pipe</li> <li>- Incorrect electrical installation</li> </ul>	<ul style="list-style-type: none"> <li>- Check for clogged plumbing lines</li> <li>- Check for low voltage</li> </ul>
Water leaks	<ul style="list-style-type: none"> <li>- Leak in the plumbing</li> </ul>	<ul style="list-style-type: none"> <li>- Check compression fittings (union connections) making sure they are properly aligned and secured. Hand tighten only Do not use any tools</li> <li>- Make sure the o-ring is properly seated and not damaged</li> </ul>

# BATHING WARRANTY

## WHAT IS COVERED?

PROFLO warrants to the ORIGINAL CONSUMER PURCHASER that its bathtub and bathing system (except as explained under paragraph 3, below) shall be free from defects in material and workmanship under normal use and service FOR FIVE (5) YEARS. If the bathtub and bathing system is used in industrial, commercial or business applications, the preceding sentence does not apply, but rather FOR ALL INDUSTRIAL, COMMERCIAL OR BUSINESS APPLICATIONS, THE WARRANTY SHALL BE A ONE (1) YEAR LIMITED WARRANTY FROM THE DATE OF PURCHASE WITH ALL OTHER TERMS AND EXCLUSIONS OF THE WARRANTY APPLICABLE.

## PROFLO'S OBLIGATIONS

PROFLO's obligations under the warranty set forth in paragraph 1 above shall be to replace free of charge any PROFLO bathtub and bathing system which is defective as stated above, or at PROFLO's option, to either refund the purchase price or repair the bathtub and bathing system. THE WARRANTY SET FORTH IN PARAGRAPH 1 IS IN LIEU OF ANY OTHER WARRANTY, EXPRESSED OR IMPLIED, AND SHALL RUN TO THE ORIGINAL PURCHASER ONLY.

## WHAT IS NOT COVERED?

The warranty set forth in paragraph 1 does not cover and PROFLO is not liable for, (i) installation, (ii) any labor charges or (iii) products which have been damaged as a result of any accident, misuse, abuse, neglect, improper installation or maintenance, the use of abrasive or organic solvent cleaners, modification, failure to use the bathtub and bathing system in accordance with instructions provided by PROFLO or use of parts other than PROFLO parts.

## HOW TO OBTAIN WARRANTY SERVICE

The purchaser should contact their local Ferguson location, installing contractor or builder from whom the product was purchased or call PROFLO customer service at 800-221-3379.

## DISCLAIMER OF CONSEQUENTIAL OR INCIDENTAL DAMAGES AND OTHER WARRANTIES

PROFLO SHALL NOT BE LIABLE FOR PERSONAL INJURY OR PROPERTY DAMAGE OR ANY CONSEQUENTIAL, PUNITIVE OR INCIDENTAL DAMAGES. EXCEPT AS STATED IN PARAGRAPH 1, PROFLO DISCLAIMS ALL EXPRESSED OR IMPLIED WARRANTIES, INCLUDING THOSE OF MERCHANTABILITY AND FITNESS FOR A PARTICULAR PURPOSE. PROFLO'S LIABILITY, IF ANY, SHALL NOT EXCEED THE REPLACEMENT VALUE OF THE DEFECTIVE bathtub and bathing system. Some states do not allow the exclusion or limitation of incidental or consequential damages or limitations on how long an implied warranty lasts, so the above limitations may not apply to you. This warranty gives you specific legal rights and you may also have other rights, which vary from state to state.

## PLEASE PAY ATTENTION TO FOLLOWING WHEN MAINTAINING YOUR BATHTUB AND BATHING SYSTEM. FAILING TO DO SO WILL VOID THE WARRANTY:

- Do not apply abrasive or caustic cleaners to any part of the bathtub.
- Do not use bleach-based cleaners or products that state on the label that they remove tarnish and/or rust, and those containing hydrofluoric, hydrochloric and/or phosphoric acids.
- All cleaners should be completely rinsed with water immediately and faucet kept dry after maintaining.
- Inappropriate installation and maintenance will void the warranty.

Contact PROFLO Customer Service at 800-221-3379



PROFLO.COM



---

## MANUAL DE INSTALACIÓN Y OPERACIÓN

---

LEA ESTAS INSTRUCCIONES POR COMPLETO ANTES DE INSTALAR EL PRODUCTO PARA PREGUNTAS SOBRE EL PRODUCTO O LA INSTALACIÓN LLAME AL SERVICIO A CLIENTES AL 1-800-221-3379.

DEBE DE SEGUIR TODAS LAS INSTRUCCIONES EN ESTE MANUAL: SI NO LO HACE USTED SERÁ EL ÚNICO RESPONSABLE, ANULARÁ LA GARANTÍA Y PUDIERA PROVOCAR DAÑO AL PRODUCTO O LESIONES PERSONALES.

SI NO SE UTILIZA UN COMPUESTO DE SELLADO ADECUADO SE ANULARÁ LA GARANTÍA.

ESTE PRODUCTO ESTÁ DISEÑADO PARA QUE LO INSTALE UN ESPECIALISTA AUTORIZADO. SE DEBERÁN EMPLEAR PLOMEROS Y ELECTRICISTAS PARA GARANTIZAR UNA INSTALACIÓN APROPIADA. LOS INSTALADORES ASUMEN TODA LA RESPONSABILIDAD POR LOS PROCEDIMIENTOS DE INSTALACIÓN CORRECTOS.

Con este producto solamente se deben emplear accesorios autorizados por el fabricante. Este producto está diseñado para uso residencial y para personas saludables.

INSTRUCCIONES IMPORTANTES DE SEGURIDAD: ¡ADVERTENCIA! CUANDO UTILICE ESTE PRODUCTO DEBERÁ TOMAR SIEMPRE LAS PRECAUCIONES BÁSICAS. LEA Y SIGA TODAS LAS INSTRUCCIONES RELACIONADAS CON EL RIESGO DE INCENDIO, DESCARGA ELÉCTRICA, O POSIBLES LESIONES A LAS PERSONAS.

INSTALADOR: DEJE ESTE MANUAL AL PROPIETARIO DE LA CASA.

PROPIETARIO DE LA CASA: LEA ESTE MANUAL Y CONSÉRVELO PARA CONSULTAS FUTURAS.

---

## TABLA DE CONTENIDOS

---

Información importante de seguridad .....	3-4
Herramientas y material recomendados .....	4
Inspección y prueba.....	4
Requisitos eléctricos e información.....	5
Estructuración e instalación.....	6-8
Dimensiones brutas.....	9-10
Cuidado y limpieza o mantenimiento .....	11
Instrucciones de operación.....	11
Operación y ajuste de los inyectores .....	12
Resolución de problemas .....	13
Garantía .....	13





 **WARNING**

**INSTRUCCIONES IMPORTANTES DE SEGURIDAD**

GUARDE ESTE MANUAL: CONSÉRVELO PARA USO DEL COMPRADOR. LEA ESTAS INSTRUCCIONES POR COMPLETO ANTES DE INSTALAR EL PRODUCTO: PARA PREGUNTAS SOBRE EL PRODUCTO O SOBRE SU INSTALACIÓN LLAME AL SERVICIO AL CLIENTE AL 1-800-221-3379.

DEBE DE SEGUIR TODAS LAS INSTRUCCIONES EN ESTE MANUAL: SI NO LO HACE USTED SERÁ EL ÚNICO RESPONSABLE, ANULARÁ LA GARANTÍA Y PUDIERA PROVOCAR DAÑO AL PRODUCTO O LESIONES PERSONALES. SI NO SE UTILIZA UN COMPUESTO DE SELLADO ADECUADO SE ANULARÁ LA GARANTÍA.

ESTE PRODUCTO ESTÁ DISEÑADO PARA QUE LO INSTALE UN ESPECIALISTA AUTORIZADO. SE DEBERÁN EMPLEAR PLOMEROS Y ELECTRICISTAS PARA GARANTIZAR UNA INSTALACIÓN APROPIADA. LOS INSTALADORES ASUMEN TODA LA RESPONSABILIDAD POR LOS PROCEDIMIENTOS DE INSTALACIÓN CORRECTOS.

Con este producto solamente se deben emplear accesorios autorizados por el fabricante. Este producto está diseñado para uso residencial y para personas saludables.

 **WARNING**

**INSTRUCCIONES IMPORTANTES DE SEGURIDAD**

CUANDO UTILICE ESTE PRODUCTO DEBERÁ TOMAR SIEMPRE LAS PRECAUCIONES BÁSICAS. LEA Y SIGA TODAS LAS INSTRUCCIONES RELACIONADAS CON EL RIESGO DE INCENDIO, DESCARGA ELÉCTRICA, O POSIBLES LESIONES.

 **WARNING**

**INSTRUCCIONES IMPORTANTES DE SEGURIDAD**

LEA Y SIGA TODAS LAS INSTRUCCIONES RELACIONADAS CON EL RIESGO DE INCENDIO, DESCARGA ELÉCTRICA, O POSIBLES LESIONES A LAS PERSONAS.

LEA Y SIGA TODAS LAS INSTRUCCIONES RELACIONADAS CON EL RIESGO DE INCENDIO, DESCARGA ELÉCTRICA, O POSIBLES LESIONES A LAS PERSONAS.

 **WARNING**

Riesgo de lesiones personales. No permita que los niños utilicen esta unidad sin la supervisión de un adulto.

 **WARNING**

Riesgo de lesiones personales. No opere esta unidad sin la protección sobre el adaptador de succión.

 **WARNING**

Riesgo de descarga eléctrica. No permita el uso de aparatos eléctricos (secadora para el cabello, teléfono, radio, etc.) dentro de una distancia de 60 pulgadas (1524mm) de esta unidad.

 **WARNING**

Riesgo de hipotermia y posible ahogamiento. Las personas que estén bajo medicamentos y/o tengan un historial médico de enfermedad, deben consultar a un médico antes de usar este producto.

 **WARNING**

Riesgo de lesiones personales. No sobrellene la unidad antes de introducirse en ella. Introducirse en la bañera cuando está llena a más de 2/3 de su capacidad puede provocar condiciones de desbordamiento y de resbalones. Tenga cuidado cuando entre y salga de la bañera.

 **WARNING**

No introduzca alimentos ni bebidas alcohólicas. No se recomienda que use su bañera inmediatamente después de las comidas. Evite consumir bebidas alcohólicas antes y durante su baño. Las bebidas alcohólicas pueden provocar mareo o hipotermia que resulte en pérdida del conocimiento o incluso ahogamiento.

 **WARNING**

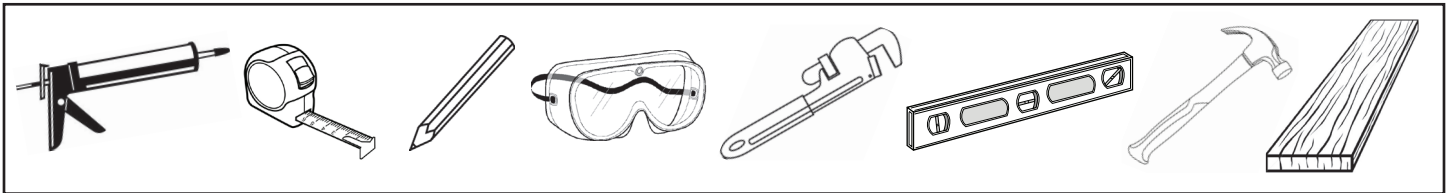
Embarazo. Si usted está embarazada o cree que podría estarlo, consulte con su médico antes de usar la bañera. Nunca deje caer o inserte ningún objeto por cualquier abertura. Solamente utilice esta unidad para su uso previsto como se describe en este manual. No utilice ningún aditamento que PROFLO. no recomiende. Este equipo es para uso en interiores exclusivamente.

## INSTRUCCIONES IMPORTANTES DE SEGURIDAD

La unidad se debe conectar únicamente a un circuito de suministro que esté protegido apropiadamente por un interruptor de circuito por falla a tierra (GFCI) de 20 amperes. El instalador deberá proporcionar dicho GFCI y se deberá probar de forma regular. Para probar el GFCI, oprima el botón de prueba. El GFCI deberá interrumpir la energía. Oprima el botón de restablecimiento. La energía se restablecerá. Si el GFCI no funciona de esta manera, significa que el GFCI está defectuoso. Si el GFCI corta la energía a la bañera sin que se haya oprimido el botón de prueba, está fluyendo una corriente a tierra que indica la posibilidad de una descarga eléctrica. No use esta bañera de hidromasaje o bañera con masaje de aire. Desconecte la bañera de hidromasaje o bañera con masaje de aire y haga que un electricista calificado corrija el problema antes de usarla.

Se proporciona un conector de cable de presión en la parte exterior del motor, para permitir la conexión de un conductor de unión de cobre sólido no. 8 AWG entre esta unidad y el resto del equipo eléctrico así como el metal expuesto en la proximidad, conforme se requiera para cumplir con los requisitos locales. Para reducir el riesgo de una descarga eléctrica, conecte este conector a la terminal de tierra de su servicio de electricidad o al panel de suministro, con un conductor equivalente en tamaño a los conductores del circuito que alimentan a esta unidad. Use cables de suministro adecuados para una temperatura de 167°F (75°C), contemplada para los conductores de abastecimiento a usarse. Los materiales de construcción y el cableado se deben colocar lejos del motor/bomba o a la salida de aire u otros componentes productores de calor de esta unidad.

## HERRAMIENTAS Y MATERIALES RECOMENDADOS



- Sellador de silicona
- Cinta métrica
- Lápiz
- Gafas de seguridad
- Llave de tubo
- Nivel
- Herramientas y materiales convencionales para carpintería
- Tela protectora
- 2x4
- Mortero
- Opcional: adhesivo para construcción

## INSPECCIÓN Y PRUEBA

Cada bañera llega lista para instalarse, completamente equipada con la bomba y los elementos de plomería necesarios. Sin embargo, se requiere un juego de drenaje o un rebosadero para cada bañera, y no se incluye.

Cada bañera llega lista para instalarse, completamente equipada con la bomba y los elementos de plomería necesarios. Ubique los pernos como se requiera. Asegúrese que las dimensiones brutas sean correctas, estén a plomo y a escuadra.

Inspección:

- Retire la bañera del empaque. Conserve el empaque hasta que haya realizado una inspección satisfactoria del producto. En ningún momento levante la bañera por la plomería; solamente manéjela por el casco. Antes del envío, en la fábrica se prueba el correcto funcionamiento de las bañeras y el sellado de sus conexiones.
- Inspeccione el casco y los componentes de la bañera. No instale la bañera si la inspección revela daño o defecto en el acabado, o daño visible en cualquiera de los componentes. El daño o defectos en el acabado que se reclamen después de que la bañera se instaló, no proceden dentro de la garantía.
- Inspeccione que no queden flojos los accesorios de la bañera.

Prueba:

- Previo a la instalación y antes de encerrar la bañera con tabiques, azulejos, etc., se debe llenar la bañera con agua y ponerla a funcionar para detectar fugas que pudieran resultar por daños en el envío o por una manipulación defectuosa.
- Es responsabilidad del instalador probar minuciosamente la bañera antes de completar la instalación. Coloque la bañera en una superficie nivelada, asegúrese que el drenaje esté sellado y llene la bañera con agua hasta el fondo del rebosadero. Como una prueba de estática, permita que el agua se asiente en la bañera por al menos 5 minutos. Si instala un sistema de bañera, conecte el motor o bomba y enciéndalo. Confirme que todos los elementos funcionen correctamente. Inspeccione visualmente todas las uniones para detectar fugas.

NO instale la bañera si detecta fugas o si las funciones del sistema no trabajan adecuadamente.

## REQUISITOS ELÉCTRICOS E INFORMACIÓN

1. Las unidades de hidromasaje requieren un suministro específico de 20 amperes, 120V.
2. Debe proporcionar un receptáculo con una configuración de 20 amperes.
3. Consulte los códigos locales para el tamaño apropiado del cable. Si no se especifica, use únicamente cable de cobre del #12.

La unidad debe estar conectada a un interruptor de circuito (GFCI) proporcionado por el instalador. Se debe probar el interruptor (GFCI) de forma regular. Para probar el interruptor GFCI, oprima el botón de prueba. El GFCI deberá interrumpir la energía. Para restaurar la energía, oprima el botón RESTAURAR (RESET). Si el GFCI no funciona de esta manera existe una corriente a tierra fluyendo que indica la posibilidad de una descarga eléctrica. No utilice la unidad. Desconecte la unidad y haga que un representante de servicio calificado corrija el problema antes de usarla.

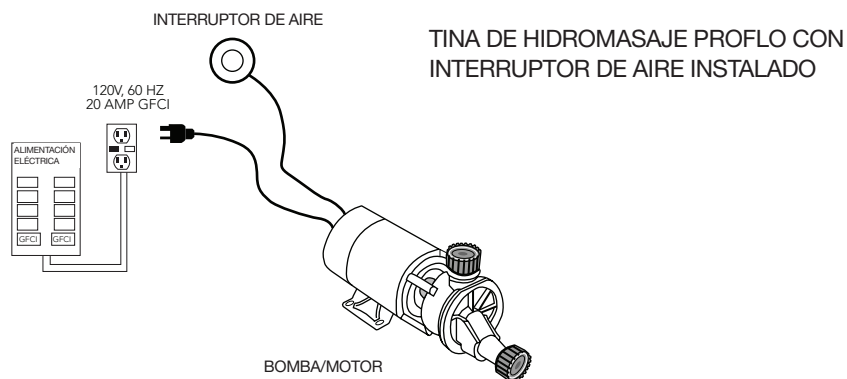
### WARNING

**RIESGO DE DESCARGA ELÉCTRICA** Todas las bombas y salidas de aire se deben conectar a tomacorrientes protegidos por un interruptor del circuito por fallo a tierra (GFCI). Las unidades de masaje de línea total se pueden operar en un suministro individual. Todas las bombas y salidas de aire se deben conectar a tomacorrientes protegidos por un interruptor del circuito por fallo a tierra (GFCI), separados de la bomba y/o las salidas de aire

### WARNING

**PRECAUCIÓN:** El tomacorrientes eléctrico debe de montarse a 4" (101 mm) por encima de la línea del piso y a 12" máx. (305 mm) adentro, desde la orilla de la bañera o de acuerdo con los códigos de la construcción y eléctricos.

- Riesgos de sobrecalentamiento de los componentes. No utilice un cable de extensión eléctrica para energizar la unidad. Operar la bomba sin la suficiente agua en la bañera puede provocar daño permanente a la bomba o el motor.
- Si la unidad CFGI indica algún mal funcionamiento, de acuerdo a las instrucciones del fabricante, CORTE la energía y no intente usar la bañera hasta que se haya identificado el origen del problema y se haya corregido.



## ESTRUCTURACIÓN E INSTALACIÓN

Se deben verificar las mediciones estructurales en comparación con la bañera recibida real, para garantizar un ajuste apropiado.

- Nunca levante la bañera por la plomería. Hacerlo puede provocar fugas.
- Revise si el piso está a nivel y es de buena calidad. Un piso desnivelado podría impedir la instalación adecuada de la bañera.
- Limpie el área de instalación de residuos o basura.

Ubique los pernos como se requiera. Asegúrese que las dimensiones brutas sean correctas, estén a plomo y a escuadra. En todas las instalaciones se debe considerar dejar una abertura de acceso para darle mantenimiento a la bomba y los controles de la bomba en el lado de las salidas de aire.

Se debe proporcionar una abertura de acceso de al menos 16" x 20" (41 x 51 cm) o no se garantiza que se pueda efectuar el mantenimiento. Es muy recomendable que se proporcione una abertura adicional para tener acceso a los componentes del drenaje. No se debe usar el faldón como la abertura de acceso principal.

Si el subsuelo no está a nivel, debe nivelar toda la superficie antes de instalar la bañera.

Asegúrese de que todo el suelo esté nivelado y que pueda soportar una carga de 50 libras por pie cuadrado (244.1 kilos x m<sup>2</sup>).

La bañera debe mantenerse a nivel para que pueda drenar apropiadamente y debe hacer contacto con el material de nivelación.

1. Coloque la bañera dentro de la abertura de la instalación y nivele la cubierta en ambas direcciones, calzando la base de la bañera si fuera necesario. Marque la posición final de la parte inferior de la cubierta, trazando una línea sobre los pernos (vea la Figura 1).
2. Coloque la bañera dentro de la abertura de la instalación y nivele la cubierta en ambas direcciones, calzando la base de la bañera si fuera necesario. Marque la posición final de la parte inferior de la cubierta, trazando una línea sobre los pernos (vea la Figura 1).
3. Instale los componentes de drenaje a la bañera siguiendo las instrucciones de instalación de la bañera. Observe que esto requiere un recorte en el piso.

La bañera debe contar con soporte para todo su fondo. **No retire la base de espuma y el cojín del fondo de la bañera.** Use de 1 y 1/2" a 2" (3.8 a 5.1 cm) de mortero como material de lecho (no use arena o espuma). Después que se haya vertido el mortero, y antes de que fragüe, coloque la bañera dentro del hueco hasta que la orilla quede nivelada contra los larguerillos de nivelado (vea la figura abajo).

IMAGEN 1  
INSTALACIÓN DE LA VIGA

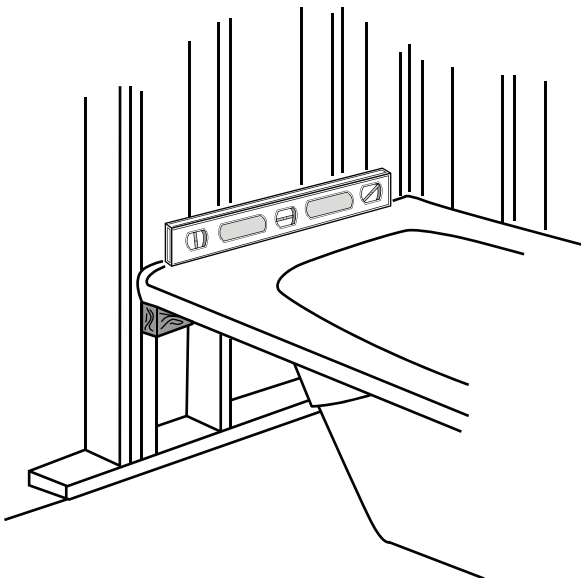
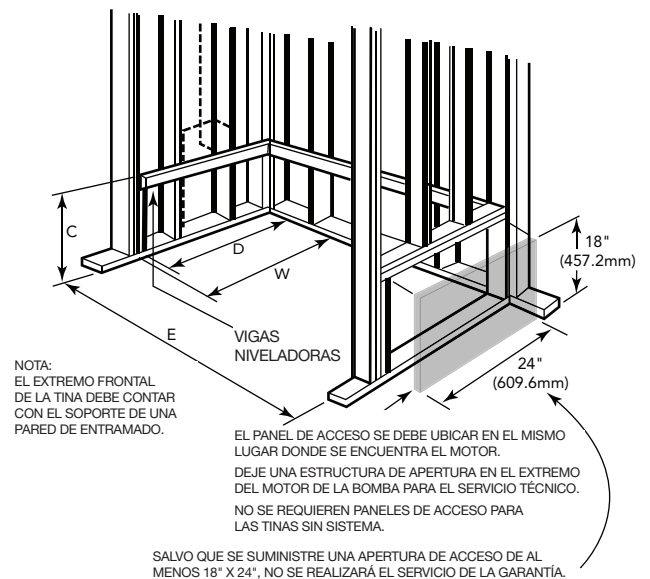
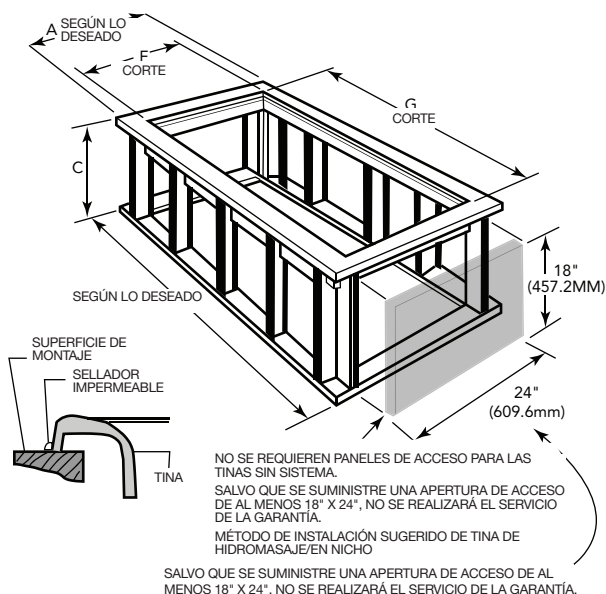


IMAGEN 2  
INSTALACIÓN TÍPICA EN NICHOS



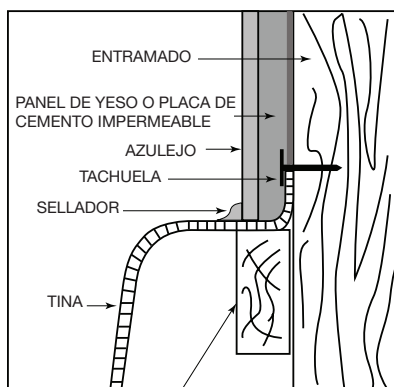
## ESTRUCTURACIÓN E INSTALACIÓN

### INSTALACIÓN TÍPICA EMBUTIDA



## REFERENCIA PARA LA CORRECTA INSTALACIÓN DEL BORDE DEL AZULEJO UTILICE EL SIGUIENTE BOSQUEJO COMO UNA GUÍA DE REFERENCIA PARA LAS DIMENSIONES BRUTAS

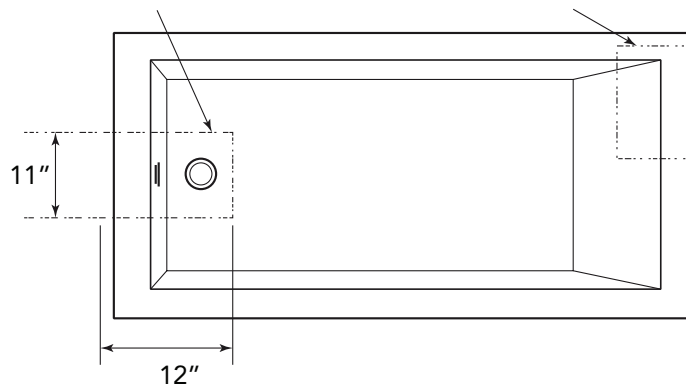
### MÉTODO DE INSTALACIÓN SUGERIDO DE TINA DE HIDROMASAJE/EN NICHOS



1 X 4 (25mm X 76mm)  
LONGITUD TOTAL DE LA VIGA DE MADERA

### SEPARACIÓN PARA EL DRENAJE

### ACCESO A LA BOMBA



Permita que el material de mortero se endurezca completamente antes de aplicar peso a la orilla o el fondo de la bañera. Cualquier material de acabado tal como azulejo o ladrillo debe de autosoportarse, si tiene contacto con la cubierta de la bañera.

Compruebe que el producto esté nivelado revisando la superficie de la cubierta de la bañera en todas las direcciones.

Para las bañeras del sistema asegúrese que el cable de las salidas de aire o la bomba estén enchufados adecuadamente dentro del tomacorrientes especializado de 120V/20A GFCI para suministrar la energía eléctrica al sistema (Consulte la página de referencia 6) para la información eléctrica requerida. Para probar el funcionamiento de la bañera, llene la bañera con agua hasta al menos 3" (7.6 cm) por encima del inyector más alto y haga funcionar la bañera por 5 minutos. Revise que no haya fugas en todas las conexiones de la bañera y de la tubería.

### LIMPIEZA DESPUÉS DE LA INSTALACIÓN

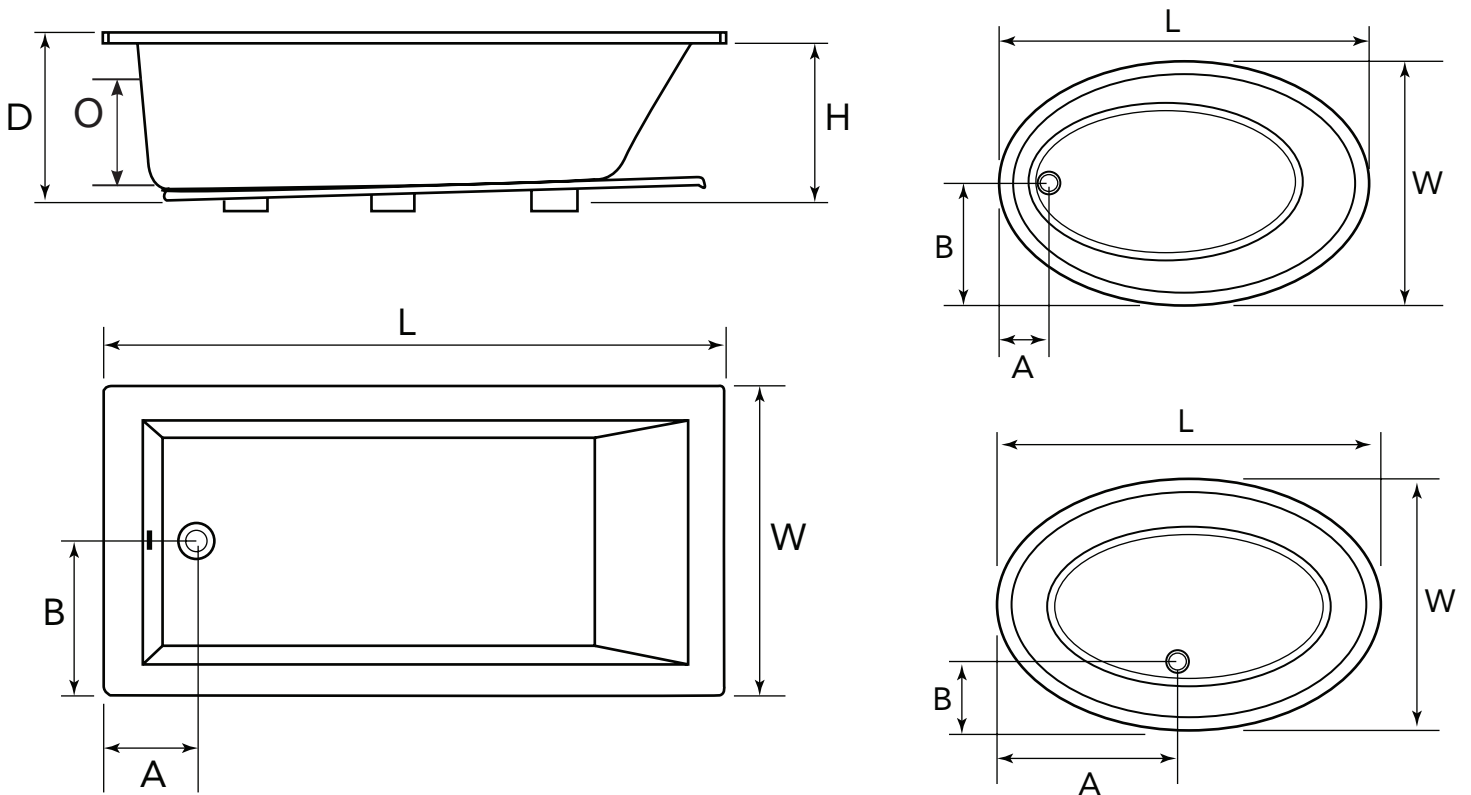
Elimine cualquier material de desperdicio de la bañera. No use cepillos de alambre o cualquier otro implemento metálico sobre la superficie de la bañera.

La limpieza después de la instalación se puede completar generalmente usando agua tibia y detergente líquido

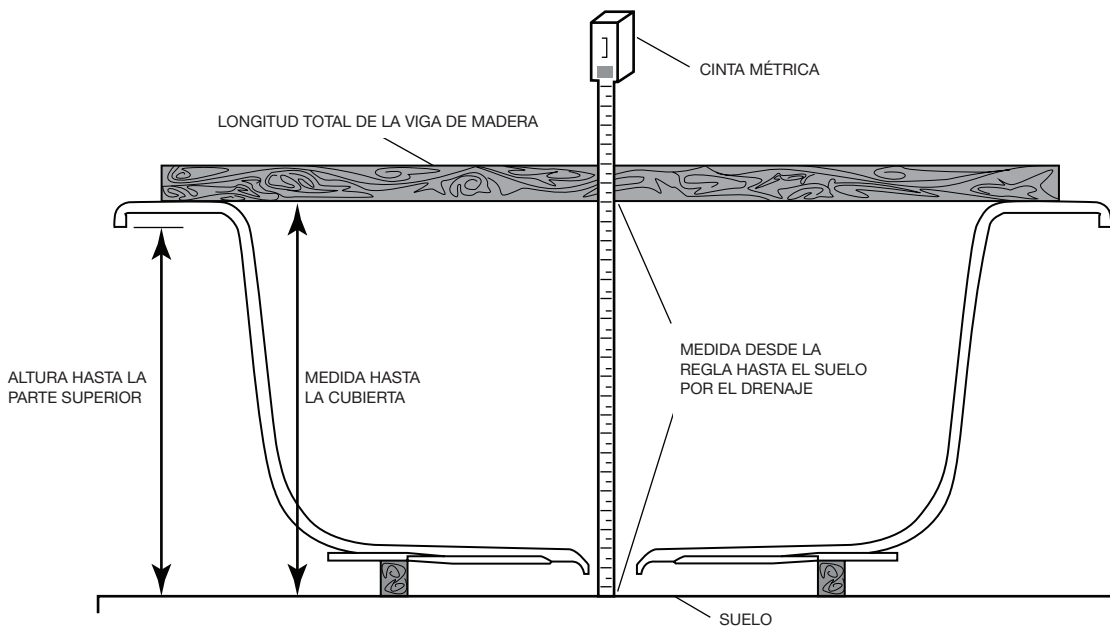
La mugre y las manchas difíciles se pueden eliminar usando Spic y Span® granulado, mezclado con agua. Se puede usar nafta para eliminar el exceso de adhesivos y/o la pintura de óleo húmeda.

MODELO VER IMAGEN D	"L" LONGITUD	"W" ANCHURA	"D" MEDIDA HASTA LA CUBIERTA	"H" ALTURA HASTA LA BOCA	"A" UBICACIÓN DEL DRENAJE	"B" UBICACIÓN DEL DRENAJE	"O" ALTURA HASTA LA EL REBO- SADERO
PFS5838, PFWPLUS5838	58"	38"	21 1/4"	19 3/4"	6"	19"	16 1/2"
PFS6032A, PFWPLUSA6032	60"	32"	19 1/2"	18"	10 3/4"	16"	15"
PFS6036N, PFWPLUSA6036N	60"	36"	19 1/2"	18"	9 1/2"	18"	14"
PFS6042A, PFWPLUSA6042	60"	42"	19 1/4"	18"	11"	21"	15"
PFS6060, PFWPLUSA6060L/R	60"	26"	21"	19 1/2"	35 1/2"	35 1/2"	17"
PFS7040, PFWPLUSA7040	70"	40"	20"	18 1/2"	6 3/4"	20"	16 1/4"
PFS7236A, PFWPLUSA7236	72"	36"	19 3/4"	18 1/4"	10 3/4"	18"	15"
PFS7242A, PFWPLUSA7242	72"	42"	19 1/4"	17 3/4"	11"	21"	15"
PFS6032LSK, PFW6032ALSK	60"	32"	18 3/4"	17 1/4"	19 1/2"	16"	14"
PFS6032RSK, PFW6032ARSK	60"	32"	18 3/4"	17 1/4"	19 1/2"	16"	14 1/4"
PFS6036LSKN, PFW6036ALSKN	60"	36"	19 1/2"	18"	9 1/2"	18"	14"
PFS6036RSKN, PFW6036ARSKN	60"	36"	19 1/2"	18"	9 1/2"	18"	14"
PFS6042LSK, PFW6042ALSK	60"	42"	19"	17 1/2"	19 1/2"	21"	14 1/4"
PFS6042RSK, PFW6042ARSK	60"	42"	19"	17 1/2"	19 1/2"	21"	14 1/4"
PFS6636LSK, PFW6636ALSK	66"	36"	19"	17 1/2"	19 1/2"	18"	14 1/4"
PFS6636RSK, PFW6636ARSK	66"	36"	19"	17 1/2"	19 1/2"	18"	14 1/4"
PFS7236LSK, PFW7236ALSK	72"	36"	19"	17 1/2"	19 1/2"	18"	13 3/4"
PFS7236RSK, PFW7236ARSK	72"	36"	19"	17 1/2"	19 1/2"	18"	13 3/4"
PFS7242LSK, PFW7242ALSK	72"	42"	18 3/4"	17 1/4"	11 1/2"	21"	13 3/4"
PFS7242RSK, PFW7242ARSK	72"	42"	18 3/4"	17 1/4"	11 1/2"	21"	13 3/4"
PFS6060SK, PFW6060SKPLA	80"	26"	21 3/4"	20 1/4"	11 1/2"	-	16 1/2"

Utilice el siguiente bosquejo como una guía de referencia de las dimensiones brutas



Las dimensiones de la cubierta al piso están medidas a través del orificio de drenaje para dar una medición más uniforme. Las dimensiones se lograron recostando una orilla recta a lo largo de la cubierta; se midió entonces la distancia del piso a la abertura del drenaje hasta la orilla recta. (Vea la siguiente ilustración). La altura del borde se sustrae entonces para dar un piso más uniforme a la altura del borde. Puede haber variaciones en la dimensión de la altura de más o menos ¼" (0.65 cm) desde la dimensión establecida en la mesa, la cual es una tolerancia estándar de producción. Deje el suficiente espacio con el marco para los controles montados lateralmente.



## DIMENSIONES DEL ÁREA DE LA CUBIERTA PARA EL MONTAJE DE LOS GRIFOS

El espacio en la cubierta donde los grifos se pueden montar se ofrece en una dimensión diagonal Y y la línea de dimensión de la base Z, que es el lado largo de la esquina de la cubierta.

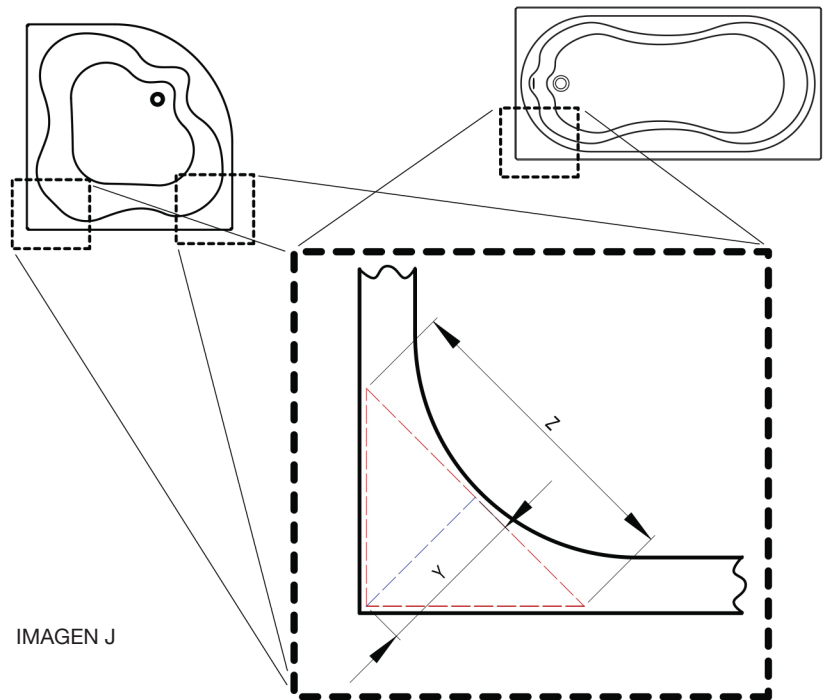


IMAGEN J

VER IMAGEN J	LONGITUD	ANCHURA	"Y" DIAGNOL DECK DIM	"Z" DIAGNOL DECK DIM
PFS5838, PFWPLUS5838	58"	38"	3"	16"
PFS6032A, PFWPLUSA6032	60"	32"	7"	15"
PFS6036N, PFWPLUSA6036N	60"	36"	4"	8 1/2"
PFS6042A, PFWPLUSA6042	60"	42"	10"	21"
PFS6060, PFWPLUSA6060L/R	60"	26"	9"	22"
PFS7040, PFWPLUSA7040	70"	40"	3"	20"
PFS7236A, PFWPLUSA7236	72"	36"	8"	16 1/2"
PFS7242A, PFWPLUSA7242	72"	42"	10 1/2"	21 1/2"
PFS6032LSK, PFW6032ALSK	60"	32"	4"	10"
PFS6032RSK, PFW6032ARSK	60"	32"	4"	10"
PFS6036LSKN, PFW6036ALSKN	60"	36"	4"	8"
PFS6036RSKN, PFW6036ARSKN	60"	36"	4"	8"
PFS6042LSK, PFW6042ALSK	60"	42"	8"	18"
PFS6042RSK, PFW6042ARSK	60"	42"	8"	18"
PFS6636LSK, PFW6636ALSK	66"	36"	8"	18"
PFS6636RSK, PFW6636ARSK	66"	36"	8"	18"
PFS7236LSK, PFW7236ALSK	72"	36"	7"	14 1/2"
PFS7236RSK, PFW7236ARSK	72"	36"	7"	14 1/2"
PFS7242LSK, PFW7242ALSK	72"	42"	6 1/2"	15"
PFS7242RSK, PFW7242ARSK	72"	42"	6 1/2"	15"
PFS6060SK, PFW6060SKPLA	80"	26"	11"	20"







## CUIDADO Y LIMPIEZA

No se recomienda el uso de sales de baño debido a la dificultad en la limpieza de los sistemas.

El sistema de circulación de la bomba y la tubería deberá de enjuagarse antes de usarlo por primera vez y mensualmente cuando el producto se usa regularmente.


A continuación encontrará los procedimientos recomendados para la limpieza:

-  NO utilice limpiadores en polvo a menos que el limpiador esté completamente diluido en agua.
-  NO ACCIONE EL HIDROMASAJE EN SECO. Llene la bañera con agua caliente hasta 2 a 3 pulgadas por encima de los inyectores y añada de 2 a 3 cucharaditas de un detergente de baja espuma como el detergente para lavavajillas.
-  NO use las potentes soluciones de limpieza del cloro y amoníaco. La solución de limpieza químicamente activa puede dañar la superficie de la bañera.
  - Encienda un ciclo de hidromasaje y déjelo funcionar por 10 minutos.
  - Drene la bañera completamente.
  - Llene la bañera con agua fría por encima de los inyectores.
  - Encienda un ciclo de hidromasaje y déjelo funcionar por 5 minutos.
  - Drene la bañera completamente.
-  NO UTILICE LIMPIADORES ABRASIVOS ya que rayarán y opacarán la superficie acrílica y anularán la garantía del comprador. El yeso se puede eliminar usando un palito de madera afilado.

 NO UTILICE ESPÁTULAS METÁLICAS, CEPILLOS DE ALAMBRE U OTRAS HERRAMIENTAS ABRASIVAS.

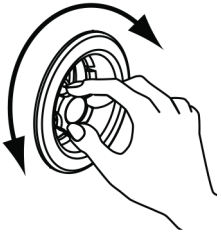
Generalmente un detergente suave eliminará los residuos de la construcción. Los residuos más persistentes se pueden eliminar con alcohol desnaturalizado, o con el limpiador Clorox Soft Scrub®. Las áreas rayadas y opacas recuperar su brillo original tallándolas con un compuesto limpiador de tipo automotriz tal como DuPont White Polishing Compound®.

Nota: Para restaurar unidades opacas o rayadas: aplique un pulidor automotriz con un trapo limpio. Talle las rayaduras y las áreas opacas vigorosamente. Limpie los residuos. Cubra con cera blanca automotriz en pasta.

 NO encere las áreas donde camine o se pare. Para grietas y daño mayor a la superficie, llame al servicio a clientes al 1-800-221-3379 para que le brinden recomendaciones de reparación.

## INSTRUCCIONES DE OPERACIÓN

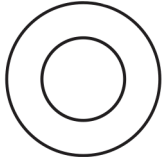
1. Llene la bañera al menos 3 pulgadas (8 cm) por encima de los inyectores antes de activar la bomba. NO encienda el hidromasaje a menos que los inyectores estén completamente sumergidos en el agua.
2. No active la unidad si se retiraron accesorios instalados de fábrica. Podría surgir un riesgo de seguridad.
3. No use baño de burbujas cuando utilice la bomba de hidromasaje. Esto puede provocar un exceso de espuma.
4. No se deben usar aceites de baño cuando opera el hidromasaje. Si los usa cuando se sumerge, drene y limpie la bañera profundamente antes de activar el sistema de hidromasaje.
5. No se recomienda el uso de sales de baño debido a la dificultad en la limpieza de los sistemas, y el hacerlo ANULARÁ LA GARANTÍA DEL COMPRADOR.
6. Tanto los sistemas de aire como de hidromasaje están conectados de manera que el agua se drenará fácilmente por la tubería.
7. No hay refacciones para el usuario ubicadas bajo la bañera. Si surge algún problema, llame al 1-800-221-3379.



## OPERACIÓN Y AJUSTE DE LOS INYECTORES

**Inyectores PF6036:** Los inyectores se pueden ajustar fácilmente apuntando la boquilla de impulsión en la dirección deseada. La fuerza del flujo del agua y la inducción del aire se pueden regular girando la boquilla de impulsión. Girar la boquilla hacia la izquierda disminuirá el flujo del agua de ese inyector en particular. Si la boquilla se gira hacia la derecha el flujo del agua aumentará a su máximo. Se requiere una vuelta de 1/4 de giro o de 90° desde la posición de menor flujo a la posición de ABIERTO completamente.

**Todos los demás inyectores PROFLO:** Los inyectores se pueden ajustar fácilmente apuntando la boquilla de impulsión en la dirección deseada. La fuerza del flujo del agua y la inducción del aire se pueden regular girando la boquilla de impulsión. Girar la boquilla hacia la derecha disminuirá el flujo del agua de ese inyector en particular. Si la boquilla se gira a la izquierda entonces el flujo del agua aumentará a su máximo. Se requiere una vuelta de 1/4 de giro o de 90° desde la posición de menor flujo a la posición de ABIERTO completamente.



## INTERRUPTOR ENCENDIDO Y APAGADO PARA BAÑERAS CON HIDROMASAJE

Las bañeras con hidromasaje se activan por medio de un interruptor de encendido y apagado. Cada depresión del interruptor activará la bomba. Si está apagada y se oprime una vez, se activará la bomba. Si está encendida, la siguiente depresión la apagará.

## ESTE PRODUCTO ESTÁ DISEÑADO PARA USO RESIDENCIAL Y POR PERSONAS SANAS

No permita que los niños utilicen esta unidad sin la supervisión de un adulto. Las mujeres embarazadas y las personas con condiciones cardíacas u otras condiciones que limitan la actividad física normal, deben consultar al médico antes de usar la bañera.

## PROCEDIMIENTOS DE REPARACIÓN

La mayor parte de los rayones menores (hasta 0,39 mm o 1/64") y quemaduras de cigarrillo, pueden eliminarse lijando la zona con una lija de grano #180 o #240 seca o húmeda o disminuyendo de grano de #600 a #1200. Finalmente, aplique un compuesto ligero para pulir, y pula el área con un paño de algodón para pulir o equivalente. Use una aplicación adicional de un compuesto fino para pulir si es necesario. Para grietas y daño mayor a la superficie, llame al servicio a clientes al 1-800-221-3379 para que le brinden recomendaciones de reparación.

## SOLUCIÓN DE PROBLEMAS DEL HIDROMASAJE

### EL MOTOR NO ARRANCA:

1. Revise los interruptores.
2. Revise que las conexiones no estén flojas o mal conectadas.
3. Asegúrese de usar el suministro de energía correcto.
4. El interruptor de Encendido/Apagado debe estar en el modo "On". Si oprime el interruptor Encendido/Apagado y no siente ninguna resistencia cuando lo oprime, puede ser que la tubería de aire esté desconectada. Revise si la tubería de aire está conectada de manera apropiada en el motor y a la boquilla del interruptor de ENCENDIDO/APAGADO. Si escucha un clic cuando oprime el interruptor, pero el motor no arranca, puede ser que el circuito eléctrico del motor esté defectuoso.
5. Asegúrese de que los inyectores estén completamente abiertos y que el agua esté fluyendo.

### EL MOTOR SE SOBRECALIENTA Y SE ENCIENDE Y SE APAGA CONSTANTEMENTE:

1. Revise que las conexiones no estén flojas o mal conectadas.
2. Revise alguna baja en el voltaje (con frecuencia provocado por un cable de calibre más bajo).
3. Asegúrese que el motor tenga suministro de aire fresco y que las ventilas no estén obstruidas.

### EL MOTOR HACE UN MURMULLO PERO NO ARRANCA:

1. Inyectores abiertos vea la "ilustración H"
2. Asegúrese que el eje del motor gire libremente.
3. Revise si el impulsor está atascado o si hay alguna obstrucción en el difusor (en espiral).
4. Compruebe alguna baja en el voltaje o un cable de calibre más bajo.

### FLUJO DE AGUA BAJO:

1. Revise que las tuberías de plomería no estén obstruidas.
2. Compruebe el bajo voltaje.

### FUGAS DE AGUA:

1. Compruebe los ajustes de compresión (conexiones de unión) asegurándose de que estén alineados y asegurados apropiadamente. SOLO APRIETE MANUALMENTE. NO UTILICE NINGUNA HERRAMIENTA.
2. Asegúrese que la junta tórica esté asentada apropiadamente y no esté dañada.

## GUARDE ESTAS INSTRUCCIONES

## RESOLUCIÓN DE PROBLEMAS

PROBLEMA	CAUSAS	SOLUCIÓN
El motor no arranca	<ul style="list-style-type: none"> <li>- El interruptor puede estar activado</li> <li>- La conexión del cable está floja o defectuosa</li> <li>- El GFCI está activado</li> <li>- Instalación eléctrica incorrecta</li> <li>- Los inyectores están cerrados</li> </ul>	<ul style="list-style-type: none"> <li>- Asegúrese que sea un interruptor de 20 amperes con nada más vinculado al circuito</li> <li>- Compruebe que las conexiones no sean incorrectas o estén flojas y que la bomba o el calentador se hayan conectado a tierra apropiadamente</li> <li>- Restablezca si fuera necesario</li> <li>- Asegúrese que cada motor y calentador en línea utilice su propio interruptor de 20 amperes y su enchufe GFCI.</li> <li>- Asegúrese de que los inyectores estén operando completamente y que el agua esté fluyendo.</li> </ul>
El motor se sobrecalienta y se enciende y se apaga constantemente	<ul style="list-style-type: none"> <li>- La conexión del cable está floja o defectuosa</li> <li>- El uso de amperes es incorrecto</li> <li>- Suministro de aire al motor</li> </ul>	<ul style="list-style-type: none"> <li>- Revise que las conexiones no estén flojas o mal conectadas.</li> <li>- Compruebe el bajo voltaje.</li> <li>- Asegúrese que el motor tenga suministro de aire fresco y que las ventilas no estén obstruidas.</li> </ul>
Operar la bomba sin la suficiente agua en la bañera puede provocar daño permanente a la bomba o el motor.	<ul style="list-style-type: none"> <li>- Los inyectores están cerrados</li> <li>- La succión o el filtro están obstruidos</li> <li>- Las válvulas de aire están cerradas</li> </ul>	<ul style="list-style-type: none"> <li>- Los inyectores deben estar completamente abiertos</li> <li>- Con la bomba apagada, retire la cubierta o filtro de succión y elimine cualquier residuo.</li> <li>- Abra todas las válvulas de control de aire</li> </ul>
El motor hace un murmullo pero no arranca	<ul style="list-style-type: none"> <li>- Los inyectores están cerrados</li> <li>- La bomba no tiene espacio para operar</li> <li>- Residuos en la bomba</li> <li>- El uso de amperes es incorrecto</li> </ul>	<ul style="list-style-type: none"> <li>- Asegúrese que los inyectores estén completamente abiertos</li> <li>- Asegúrese que el eje del motor gire libremente.</li> <li>- Revise si el impulsor está atascado o si hay alguna obstrucción en difusor (en espiral).</li> <li>- Compruebe alguna baja en el voltaje o un cable de calibre más bajo</li> </ul>
Flujo de agua bajo	<ul style="list-style-type: none"> <li>- Tubería obstruida</li> <li>- Instalación eléctrica incorrecta</li> </ul>	<ul style="list-style-type: none"> <li>- Revise que las tuberías de plomería no estén obstruidas.</li> <li>- Compruebe el bajo voltaje.</li> </ul>
Fugas de agua	<ul style="list-style-type: none"> <li>- Fugas en la tubería</li> </ul>	<ul style="list-style-type: none"> <li>- Compruebe los ajustes de compresión (conexiones de unión) asegurándose de que estén alineados y asegurados apropiadamente. Solo apriete manualmente, no utilice ninguna herramienta</li> <li>- Asegúrese que la junta tórica esté asentada apropiadamente y no esté dañada.</li> </ul>

## GARANTÍA DEL BAÑO

### ¿QUÉ CUBRE?

PROFLO garantiza al COMPRADOR ORIGINAL que su sistema de ducha y bañera (excepto lo que se explica en el párrafo 3 a continuación) se encontrará libre de defectos en el material y la mano de obra bajo condiciones de uso y servicio normales durante un período de un (1) año. Si el sistema de ducha y bañera se utiliza en aplicaciones industriales, comerciales o empresariales, no se aplica el párrafo anterior; en cambio, PARA TODAS LAS APLICACIONES INDUSTRIALES, COMERCIALES O EMPRESARIALES, LA GARANTÍA SERÁ LIMITADA DE UN (1) AÑO A PARTIR DE LA FECHA DE COMPRA, CON TODOS LOS DEMÁS TÉRMINOS Y EXCLUSIONES DE LA GARANTÍA CORRESPONDIENTE.

### OBLIGACIONES DE PROFLO

Las obligaciones de PROFLO, conforme a la garantía establecida en el párrafo 1 anterior, deberán ser el reemplazo sin cargo de cualquier sistema de ducha y bañera PROFLO que esté defectuoso según lo anteriormente mencionado o, según la decisión de PROFLO, reintegrar el precio de compra o reparar dicho sistema. LA GARANTÍA QUE SE ESTABLECE EN EL PÁRRAFO 1 PREVALECE SOBRE CUALQUIER OTRA GARANTÍA EXPRESA O IMPLÍCITA, Y SERÁ EFECTIVA ÚNICAMENTE PARA EL COMPRADOR ORIGINAL.

### ¿QUÉ NO CUBRE?

La garantía que se establece en el párrafo 1 no ofrece cobertura, ni PROFLO será responsable, de lo siguiente: (i) instalación, (ii) cualquier cargo por mano de obra o (iii) los productos que se hayan dañado por un accidente, mal uso, abuso, negligencia, instalación o mantenimiento inadecuados, uso de productos de limpieza abrasivos o que contengan solvente orgánico, falla en el uso del sistema de ducha y bañera de acuerdo con las instrucciones proporcionadas por PROFLO o el uso de piezas que no pertenezcan a PROFLO.

### CÓMO OBTENER LA GARANTÍA DE SERVICIO

El comprador debe comunicarse con la sucursal local de Ferguson, el contratista de la instalación o el constructor al que le adquirió el producto, o llamar al servicio al cliente de PROFLO al 800-221-3379.

### DESCARGO DE DAÑOS INDIRECTOS O INCIDENTALES Y OTRAS GARANTÍAS

PROFLO NO ES RESPONSABLE POR LESIONES PERSONALES O DAÑO A LA PROPIEDAD, NI POR CUALQUIER DAÑO INDIRECTO, PUNITIVO O INCIDENTAL. EXCEPTO LO ESTABLECIDO EN EL PÁRRAFO 1, PROFLO SE EXIME DE TODAS LAS GARANTÍAS EXPRESAS O IMPLÍCITAS, INCLUYENDO AQUELLAS DE COMERCIABILIDAD Y APTITUD PARA UN FIN ESPECÍFICO. LA RESPONSABILIDAD DE PROFLO, SI LA HUBIERA, NO DEBE SUPERAR EL VALOR DE REEMPLAZO DEL sistema de ducha y bañera. Algunos estados no permiten la exclusión o el límite de los daños incidentales o indirectos, o limitaciones sobre la duración que tiene una garantía implícita, así que es posible que las limitaciones anteriores no le correspondan a usted. Esta garantía le otorga derechos legales específicos y, a su vez, puede gozar de otros derechos que varían según el estado.

### PRESTE ATENCIÓN A LO SIGUIENTE EN CUANTO AL MANTENIMIENTO DE SU SISTEMA DE DUCHA Y BAÑERA. DE NO HACERLO, SE ANULARÁ LA GARANTÍA:

- Cuidado y limpieza inadecuados.
- El uso de aceites y sales de baño anulará la garantía.
- El uso de limpiadores abrasivos, espátulas de metal, cepillos de alambre u otras herramientas ásperas y abrasivas.
- La instalación y mantenimiento inapropiados anularán la garantía.

Contacte el Servicio a cliente de PROFLO al 800-221-3379



PROFLO.COM



---

## GUIDE D'INSTALLATION ET D'UTILISATION

---

LIRE TOUTES LES INSTRUCTIONS AVANT D'INSTALLER LE PRODUIT. POUR TOUTE QUESTION CONCERNANT LE PRODUIT OU L'INSTALLATION, COMMUNIQUER AVEC LE SERVICE À LA CLIENTÈLE AU 1 800 221-3379.

IL EST IMPORTANT DE SUIVRE TOUTES LES INSTRUCTIONS DE CE GUIDE; LE NON-RESPECT DE CES INSTRUCTIONS ENTRAÎNERA LA PRÉSUMPTION DE VOTRE RESPONSABILITÉ, ANNULERA LA GARANTIE ET POURRAIT CAUSER DES DOMMAGES AU PRODUIT OU DES BLESSURES CORPORELLES. LE NON-RESPECT DE LA CONSIGNE D'UTILISER UN COMPOSÉ SOLIDIFIANT APPROPRIÉ ANNULERA LA GARANTIE.

CE PRODUIT EST CONÇU POUR ÊTRE INSTALLÉ PAR UN OUVRIER QUALIFIÉ AGRÉÉ. DES PLOMBIERS ET ÉLECTRICIENS AGRÉÉS DEVRAIENT ÊTRE ENGAGÉS POUR ASSURER UNE BONNE INSTALLATION. LES INSTALLATEURS ASSUMENT TOUTE RESPONSABILITÉ POUR LES BONNES PROCÉDURES D'INSTALLATION.

Seuls les accessoires autorisés par le fabricant devraient être utilisés avec ce produit. Ce produit est conçu pour un usage résidentiel et pour un usage fait par des individus en santé.

CONSIGNES DE SÉCURITÉ IMPORTANTES : AVERTISSEMENT! LORS DE L'UTILISATION DE CE PRODUIT, DES PRÉCAUTIONS DE BASE DEVRAIENT TOUJOURS ÊTRE PRISES. LIRE ET SUIVRE TOUTES LES INSTRUCTIONS RELIÉES AUX RISQUES D'INCENDIE, DE CHOC ÉLECTRIQUE OU DE BLESSURES CORPORELLES.

INSTALLATEUR : LAISSER CE GUIDE AU PROPRIÉTAIRE.  
PROPRIÉTAIRE : LIRE CE GUIDE ET LE CONSERVER POUR RÉFÉRENCE FUTURE.

---

## TABLE DES MATIÈRES

---

Consignes de sécurité importantes.....	3-4
Outils et matériel recommandés.....	4
Inspection et test.....	4
Exigences électriques et informations.....	5
Cadrage et installation .....	6-8
Dimensions de la plomberie brute.....	9-10
Entretien et nettoyage/maintenance .....	11
Instructions d'utilisation .....	11
Ajustement et utilisation des jets .....	12
Dépannage .....	13
Garantie .....	13



 **WARNING**

CONSIGNES DE SÉCURITÉ IMPORTANTES

CONSERVER CE GUIDE : À CONSERVER POUR L'UTILISATION DU CONSOMMATEUR. LIRE TOUTES CES INSTRUCTIONS AVANT D'INSTALLER LE PRODUIT : POUR TOUTE QUESTION CONCERNANT LE PRODUIT OU L'INSTALLATION, COMMUNIQUER AVEC LE SERVICE À LA CLIENTÈLE AU 1 800 221-3379.

IL EST IMPORTANT DE SUIVRE TOUTES LES INSTRUCTIONS DE CE GUIDE; LE NON-RESPECT DE CES INSTRUCTIONS ENTRAÎNERA LA PRÉSUMPTION DE VOTRE RESPONSABILITÉ, ANNULERA LA GARANTIE ET POURRAIT CAUSER DES DOMMAGES AU PRODUIT OU DES BLESSURES CORPORELLES. LE NON-RESPECT DE LA CONSIGNE D'UTILISER UN COMPOSÉ SOLIDIFIANT APPROPRIÉ ANNULERA LA GARANTIE.

CE PRODUIT EST CONÇU POUR ÊTRE INSTALLÉ PAR UN OUVRIER QUALIFIÉ AGRÉÉ. DES PLOMBIERS ET ÉLECTRICIENS AGRÉÉS DEVRAIENT ÊTRE ENGAGÉS POUR ASSURER UNE BONNE INSTALLATION. LES INSTALLATEURS ASSUMENT TOUTE RESPONSABILITÉ POUR LES BONNES PROCÉDURES D'INSTALLATION.

Seuls les accessoires autorisés par le fabricant devraient être utilisés avec ce produit. Ce produit est conçu pour un usage résidentiel et pour un usage fait par des individus en santé.

 **WARNING**

CONSIGNES DE SÉCURITÉ IMPORTANTES

LORS DE L'UTILISATION DE CE PRODUIT, DES PRÉCAUTIONS DE BASE DEVRAIENT TOUJOURS ÊTRE PRISES. LIRE ET SUIVRE TOUTES LES INSTRUCTIONS RELIÉES AUX RISQUES D'INCENDIE, DE CHOC ÉLECTRIQUE OU DE BLESSURES CORPORELLES.

 **WARNING**

CONSIGNES DE SÉCURITÉ IMPORTANTES

LIRE ET SUIVRE TOUTES LES INSTRUCTIONS RELIÉES AUX RISQUES D'INCENDIE, DE CHOC ÉLECTRIQUE OU DE BLESSURES CORPORELLES!

 **WARNING**

Risque de blessures corporelles. Ne pas permettre aux enfants d'utiliser ce produit sans la supervision d'un adulte.

 **WARNING**

Risque de blessures corporelles. Ne pas utiliser ce produit sans l'élément de protection au-dessus du raccord d'aspiration.

 **WARNING**

Risque de choc électrique. Ne pas permettre la présence d'appareils électriques (sèche-cheveux, téléphone, radio, etc.) à moins de 152 cm (60 po) du produit.

 **WARNING**

Risque d'hypothermie et de noyade. Les personnes qui prennent des médicaments ou qui ont des antécédents médicaux pouvant donner lieu à des effets indésirables devraient consulter un médecin avant d'utiliser ce produit.

 **WARNING**

Risque de blessures corporelles. Ne pas trop remplir la baignoire avant d'y entrer. Entrer dans la baignoire lorsque celle-ci est remplie à plus du 2/3 de sa capacité peut causer un débordement ou des conditions glissantes. Faire preuve de prudence avant d'entrer et de sortir.

 **WARNING**

Aucune nourriture ou boisson alcoolique. Il n'est pas recommandé d'utiliser votre baignoire immédiatement après les repas. Éviter la consommation d'alcool avant ou pendant le bain. Les boissons alcooliques peuvent causer de la somnolence ou de l'hypothermie pouvant mener à la perte de conscience ou même la noyade.

 **WARNING**

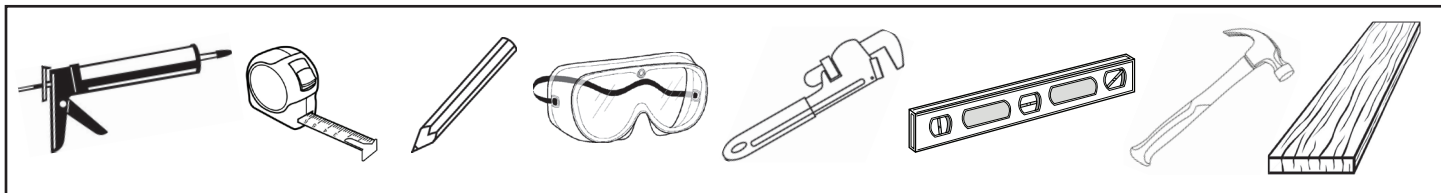
Grossesse. Si vous êtes enceinte ou croyez l'être, consultez votre médecin avant d'utiliser la baignoire. Ne jamais laisser tomber ou insérer d'objets dans une ouverture. Utiliser ce produit uniquement pour son usage prévu et comme décrit dans ce guide. Ne pas utiliser d'accessoires qui ne sont pas recommandés par PROFLO. Cet équipement est uniquement destiné à un usage intérieur.

## CONSIGNES DE SÉCURITÉ IMPORTANTES

Ce produit doit être connecté uniquement à un circuit d'alimentation qui est bien protégé par un disjoncteur de fuite de terre de 20 ampères. Un tel disjoncteur de fuite de terre devrait être fourni par l'installateur et être testé sur une base régulière. Pour tester le disjoncteur de fuite de terre, appuyer sur le bouton de test. Le disjoncteur de fuite de terre devrait interrompre le courant. Appuyer sur le bouton de réinitialisation. Le courant devrait être rétabli. Si le disjoncteur de fuite de terre ne fonctionne pas de cette façon, celui-ci est alors défectueux. Si le disjoncteur de fuite de terre interrompt le courant à la baignoire sans que le bouton de test ne soit enfoncé, un courant à la terre circule indiquant la possibilité d'un choc électrique. Ne pas utiliser ce bain à massage, bain tourbillon ou bain à air. Déconnecter le bain à massage, bain tourbillon ou bain à air et faire corriger le problème par un électricien agréé avant de l'utiliser.

Un connecteur à pression pour câbles est fourni à l'extérieur du moteur pour permettre une connexion à un connecteur de cuivre massif de 8 AWG entre ce produit et tout autre équipement électrique et métal exposé dans l'environnement afin de respecter les exigences locales. Pour réduire le risque d'un choc électrique, connecter ce connecteur à une borne de terre du service électrique ou du panneau d'alimentation électrique avec un conducteur équivalent à la taille des conducteurs de circuit alimentant ce produit. Utiliser des câbles d'approvisionnement qui sont adéquats pour 75 °C (167 °F), incluant la cote de température qui devrait être utilisée pour les conducteurs d'approvisionnement. Les matériaux de construction et le câblage devraient être dirigés loin du moteur/de la pompe ou soufflante ou tout autre élément de ce produit produisant de la chaleur.

## OUTILS ET MATÉRIEL RECOMMANDÉS



- Agent d'étanchéité à base de silicone
- Ruban à mesurer
- Crayon
- Lunettes de sécurité
- Clé à tube
- Niveau
- Matériel et outils à bois conventionnels
- Toile de protection
- 2 x 4
- Mortier
- Optionnel : adhésif de construction

## INSPECTION ET TEST

Chaque baignoire est livrée prête à être installée, et complètement équipée avec la pompe et la plomberie nécessaire à son utilisation. Toutefois, une trousse de drain/trop-plein est requise pour chaque baignoire et n'est pas incluse.

La variété d'installations possibles pour cette baignoire peut exiger des procédures de cadrage autres que celles indiquées.

Localiser les montants tel que requis. S'assurer que les dimensions de la plomberie brute (voir p. 11) sont correctes, d'aplomb et d'équerre.

Inspection:

- Retirer la baignoire de l'emballage. Conserver l'emballage jusqu'à ce qu'une inspection satisfaisante du produit ait été faite. Ne jamais soulever la baignoire par ses éléments de plomberie; la manipuler en touchant sa coquille seulement. Toutes les baignoires sont testées en usine pour leur bon fonctionnement et leurs raccords étanches avant d'être expédiées.
- Inspecter la coquille et les éléments de la baignoire. Si l'inspection révèle des dommages ou des défauts dans le fini, ou des dommages visibles à l'un des éléments, ne pas installer la baignoire. Des dommages ou des défauts au fini signalés après l'installation de la baignoire sont exclus de la garantie.
- Inspecter les éléments de baignoire pour tout raccord desserré.

Tests:

- Avant l'installation de la baignoire et des panneaux de revêtement, céramique, etc., celle-ci doit être remplie d'eau et utilisée pour vérifier l'absence de fuites résultant d'une mauvaise manipulation ou de dommages causés pendant le transport.
- Il est de la responsabilité de l'installateur de bien tester la baignoire avant de terminer l'installation. Placer la baignoire sur une surface nivelée, s'assurer que le drain est bien fermé et remplir la baignoire avec de l'eau. Laisser l'eau dans la baignoire pendant au moins 5 minutes comme test statique. S'il s'agit d'un système de baignoire, brancher le moteur/pompe et l'activer. Confirmer que tous les éléments fonctionnent correctement. Inspecter visuellement tous les joints pour s'assurer de l'absence de fuites.

NE PAS installer la baignoire si des fuites sont détectées ou si des éléments du système ne fonctionnent pas correctement.



## EXIGENCES ÉLECTRIQUES ET INFORMATIONS

1. Les baignoires nécessitent 20 ampères et un service de 120 volts.
2. Vous devez fournir une prise de courant avec une configuration de 20 ampères.
3. Consulter les codes locaux pour le calibre approprié des fils. Si non spécifié, utiliser des fils de cuivre no 12.

Ce produit doit être connecté à un disjoncteur fourni par l'installateur. Le disjoncteur devrait être testé sur une base régulière. Pour tester le disjoncteur de fuite de terre, appuyer sur le bouton de test. Le disjoncteur de fuite de terre devrait interrompre le courant. Pour restaurer le courant, appuyer sur le bouton RESET (réinitialisation). Si le disjoncteur ne fonctionne pas de cette manière, il y a un courant de terre qui circule, indiquant la possibilité d'un choc électrique. Ne pas utiliser le produit. Déconnecter le produit et le faire corriger par un représentant de service qualifié avant de l'utiliser.

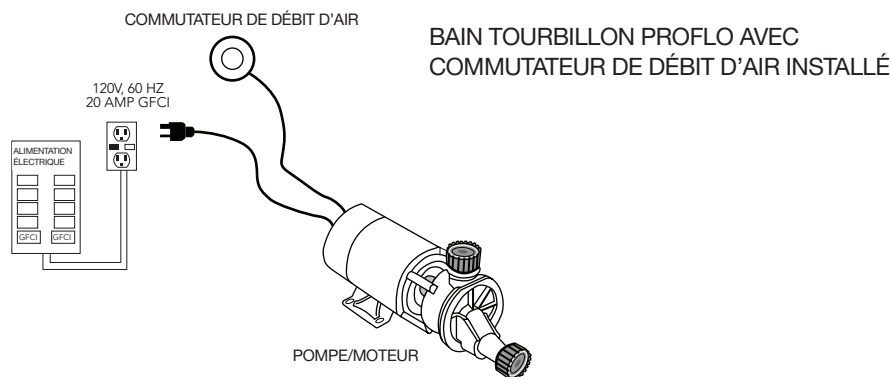
### ⚠ WARNING

**RISQUE DE CHOC ÉLECTRIQUE.** Toutes les pompes et soufflantes doivent être connectées à des prises protégées par un disjoncteur de fuite de terre. Les produits Standard Line Total Massage peuvent être utilisés sur un service unique. Tous les éléments chauffants doivent être connectés à des prises protégées par un disjoncteur de fuite de terre, différentes de celles de la pompe ou soufflante.

Une prise électrique doit être fixée à 10,1 cm (4 po) au-dessus de la ligne du sol et à 30,5 cm (12 po) maximum à l'intérieur à partir la bordure de la baignoire, selon les codes de construction et électriques locaux.

### ⚠ WARNING

- Risques de surchauffe des éléments. Ne pas utiliser une rallonge électrique pour alimenter le produit. Faire fonctionner la pompe avec une quantité d'eau insuffisante dans la baignoire peut causer des dommages permanents à la pompe/au moteur.
- Si le disjoncteur indique un mauvais fonctionnement, selon les instructions du fabricant, couper le courant et ne pas essayer d'utiliser la baignoire jusqu'à ce que le problème ait été identifié et corrigé.



## CADRAGE ET INSTALLATION

Les mesures structurelles devraient être vérifiées par rapport à la baignoire reçue pour s'assurer que tout correspond bien.

- Ne jamais soulever la baignoire par ses éléments de plomberie. Ceci pourrait causer des fuites.
- Vérifier si le sol est à niveau et de bonne qualité. Un sol inégal peut empêcher une bonne installation de la baignoire.
- Retirer tous les débris et déchets de la zone d'installation.

Localiser les montants tel que requis. S'assurer que les dimensions de la plomberie brute sont correctes, d'aplomb et d'équerre. Une ouverture d'accès doit être prévue pour toutes les installations afin de permettre l'entretien de la pompe et des commandes de la pompe et de la soufflante.

Une ouverture d'accès d'au moins 45,7 x 60,9 cm (18 x 24 po) doit être fournie ou le service de garantie ne sera pas effectué. Il est fortement recommandé de fournir une ouverture supplémentaire pour accéder aux éléments du drain. Le tablier ne devrait pas être utilisé comme ouverture principale d'accès.

Si le sous-plancher n'est pas à niveau, vous devez mettre toute la surface à niveau avant d'installer la baignoire.

S'assurer que tout le sol est à niveau et peut supporter 36,2 kg par 0,09 mètre carré (80 lb par pied carré).

La baignoire doit demeurer à niveau pour se vider correctement et doit être en contact avec le matériel de mise à niveau.

1. Positionner la baignoire dans l'ouverture d'installation et mettre la plate-forme à niveau dans les deux directions, caler ensuite la base de la baignoire si nécessaire. Marquer la position finale du dessous de la plate-forme en traçant une ligne sur les montants (voir Figure 1).
2. Retirer la baignoire et joindre une longrine de 2,5 x 10,1 cm (1 x 4 po) aux montants, avec la partie supérieure de la longrine touchant la ligne tracée. Ne jamais supporter la baignoire par sa bordure de plate-forme ou longrines (voir Figure 2).
3. Installer les éléments du drain à la baignoire en suivant les instructions d'installation du drain. Noter que ceci requiert une entaille dans le plancher. Avant de replacer la baignoire pour l'installation finale, les baignoires nécessitent une ouverture au sol de 15,2 x 30,5 cm (6 x 12 po) pour le drain de 3,8 cm (1-1/2 po) et la trousse de déchets et trop-plein. Le drain/trop-plein de la baignoire va jusqu'en dessous de la partie inférieure de la baignoire.

La baignoire doit être supportée tout au long de sa partie inférieure. Ne pas retirer le coussinet et la base en mousse du fond de la baignoire. Utiliser 3,8 à 5 cm (1-1/2 - 2 po) de mortier comme matériel de mise en lit (ne pas utiliser de sable ou de mousse). Après le versement du mortier, et avant qu'il ne durcisse, positionner la baignoire dans la cavité jusqu'à ce que la bordure soit à niveau par rapport aux longrines de nivellement (voir ci-dessous).

FIGURE 1  
INSTALLATION DES LONGRINES

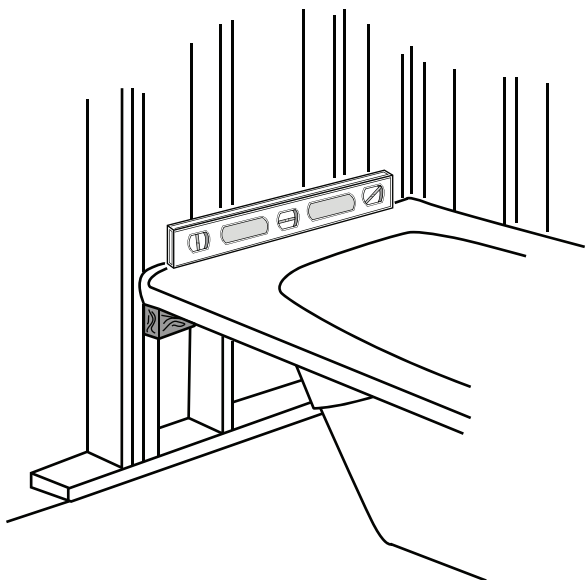
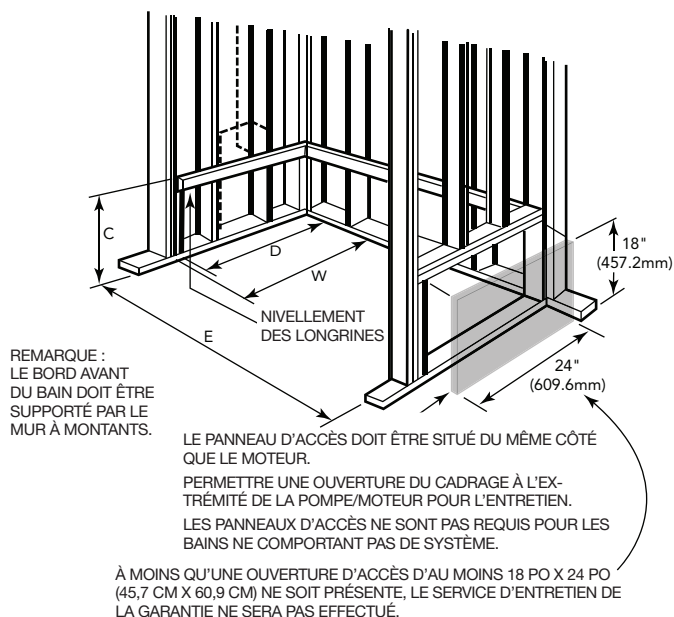
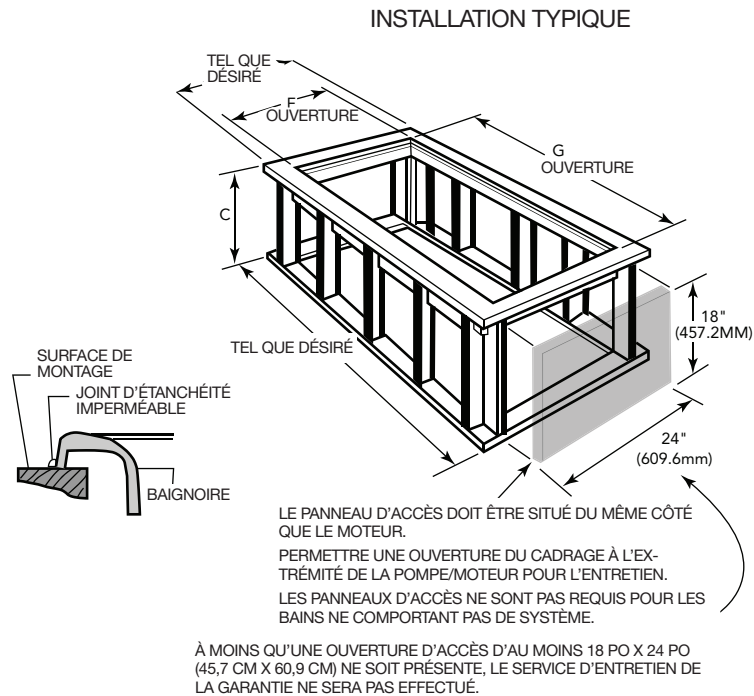


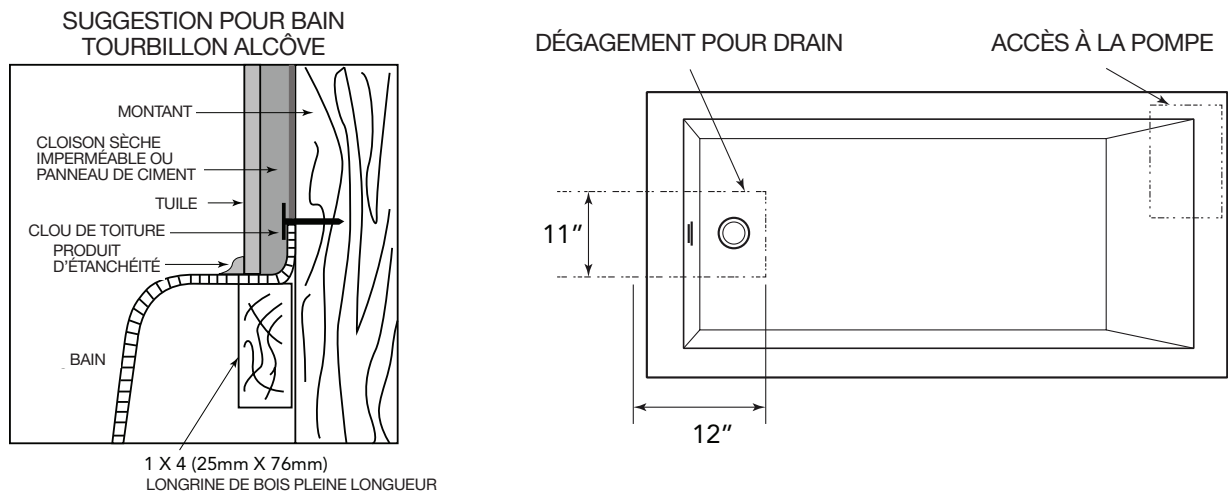
FIGURE 2  
INSTALLATION TYPIQUE POUR ALCÔVE



## CADRAGE ET INSTALLATION



## RÉFÉRENCE POUR LA BONNE INSTALLATION DE LA BRIDE DE TUILE UTILISER LE DESSIN CI-DESSOUS COMME RÉFÉRENCE POUR LES MESURES DE LA PLOMBERIE BRUTE.



Permettre au mortier de complètement durcir avant d'appliquer du poids à la bordure ou au fond du bain. Tout matériel de fini comme de la tuile ou un panneau de revêtement doit s'auto-soutenir s'il entre en contact avec la plate-forme de la baignoire.

Vérifier que le produit est à niveau en vérifiant la surface de la plate-forme de la baignoire dans toutes les directions.

Pour les systèmes de baignoire, s'assurer que les câbles pour la soufflante ou la pompe sont bien branchés dans une prise de 120V/20A protégé par un disjoncteur de fuite de terre pour fournir un courant électrique au système (se référer à la page 6) pour les informations concernant les exigences électriques. Pour tester le bain, remplir celui-ci avec de l'eau jusqu'à au moins 7,6 cm (3 po) au-dessus du jet le plus haut et faire fonctionner le bain pendant 5 minutes. Vérifier tous les raccord de tuyauterie et de la baignoire pour l'absence de toute fuite.

### NETTOYAGE APRÈS L'INSTALLATION

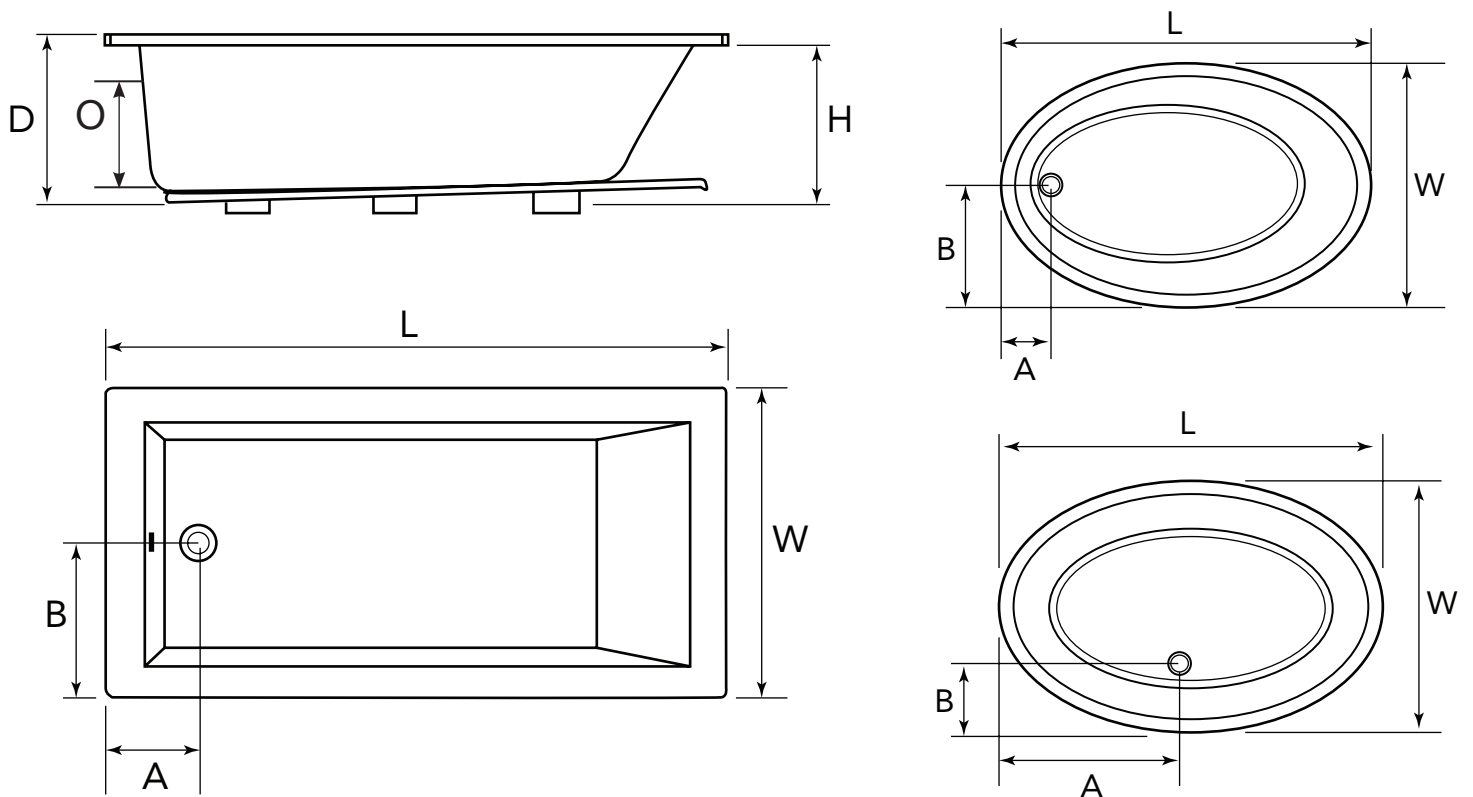
Retirer tous les débris de construction de la baignoire. Ne pas utiliser de brosses métalliques ou autres éléments de métal sur la surface de la baignoire.

Un nettoyage après l'installation peut habituellement être complété en utilisant de l'eau chaude et du détergent à vaisselle liquide.

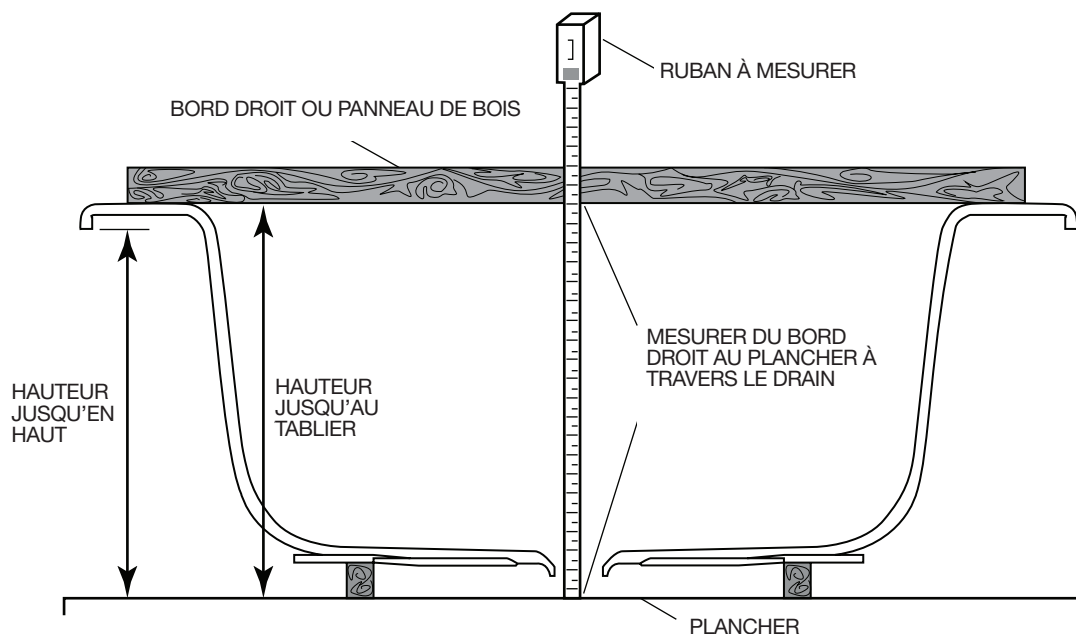
Les taches ou saletés tenaces peuvent être éliminées en utilisant le produit de granules Spic and Span® mélangé avec de l'eau. Le naphtha de peintre peut être utilisé pour éliminer les excédents d'adhésif ou la peinture à base d'huile non séchée.

MODÈLE VOIR ILLUSTRATION D	"L" LONGUEUR	"W" LARGEUR	"D" HAUTEUR JUSQU'AU TABLIER	"H" HAUTEUR JUSQU'AU REBORD	"A" EMPLACE- MENT DU DRAIN	"B" EMPLACE- MENT DU DRAIN	"O" HAUTEUR JUSQU'AU TROP- PLEIN
PFS5838, PFWPLUS5838	58"	38"	21 1/4"	19 3/4"	6"	19"	16 1/2"
PFS6032A, PFWPLUSA6032	60"	32"	19 1/2"	18"	10 3/4"	16"	15"
PFS6036N, PFWPLUSA6036N	60"	36"	19 1/2"	18"	9 1/2"	18"	14"
PFS6042A, PFWPLUSA6042	60"	42"	19 1/4"	18"	11"	21"	15"
PFS6060, PFWPLUSA6060L/R	60"	26"	21"	19 1/2"	35 1/2"	35 1/2"	17"
PFS7040, PFWPLUSA7040	70"	40"	20"	18 1/2"	6 3/4"	20"	16 1/4"
PFS7236A, PFWPLUSA7236	72"	36"	19 3/4"	18 1/4"	10 3/4"	18"	15"
PFS7242A, PFWPLUSA7242	72"	42"	19 1/4"	17 3/4"	11"	21"	15"
PFS6032LSK, PFW6032ALSK	60"	32"	18 3/4"	17 1/4"	19 1/2"	16"	14"
PFS6032RSK, PFW6032ARSK	60"	32"	18 3/4"	17 1/4"	19 1/2"	16"	14 1/4"
PFS6036LSKN, PFW6036ALSKN	60"	36"	19 1/2"	18"	9 1/2"	18"	14"
PFS6036RSKN, PFW6036ARSKN	60"	36"	19 1/2"	18"	9 1/2"	18"	14"
PFS6042LSK, PFW6042ALSK	60"	42"	19"	17 1/2"	19 1/2"	21"	14 1/4"
PFS6042RSK, PFW6042ARSK	60"	42"	19"	17 1/2"	19 1/2"	21"	14 1/4"
PFS6636LSK, PFW6636ALSK	66"	36"	19"	17 1/2"	19 1/2"	18"	14 1/4"
PFS6636RSK, PFW6636ARSK	66"	36"	19"	17 1/2"	19 1/2"	18"	14 1/4"
PFS7236LSK, PFW7236ALSK	72"	36"	19"	17 1/2"	19 1/2"	18"	13 3/4"
PFS7236RSK, PFW7236ARSK	72"	36"	19"	17 1/2"	19 1/2"	18"	13 3/4"
PFS7242LSK, PFW7242ALSK	72"	42"	18 3/4"	17 1/4"	11 1/2"	21"	13 3/4"
PFS7242RSK, PFW7242ARSK	72"	42"	18 3/4"	17 1/4"	11 1/2"	21"	13 3/4"
PFS6060SK, PFW6060SKPLA	80"	26"	21 3/4"	20 1/4"	11 1/2"	-	16 1/2"

Utiliser le dessin ci-dessous comme guide pour les mesures de plomberie brute



Les dimensions de la plate-forme au plancher sont prises à travers le trou du drain pour permettre une mesure plus cohérente. Les dimensions sont obtenues en établissant un bord droit à travers la plate-forme; la distance est ensuite mesurée du sol à l'ouverture du drain à la partie inférieure du bord droit. (Voir l'illustration ci-dessous). La hauteur de la bordure est ensuite soustraite pour obtenir une hauteur plus cohérente du sol à la bordure. Les dimensions de hauteur peuvent varier de plus ou moins de 0,6 cm (1/4 po) de la dimension indiquée dans le tableau, ce qui est une tolérance de production normale. Laisser suffisamment de distance avec le cadrage pour les commandes fixées sur le côté.



## DIMENSIONS DE FIXATION DU ROBINET

L'espace de plate-forme où le robinet peut être fixé est donnée selon une dimension diagonale Y et une dimension de ligne de base Z, ce qui représente le long côté du coin de la plate-forme.

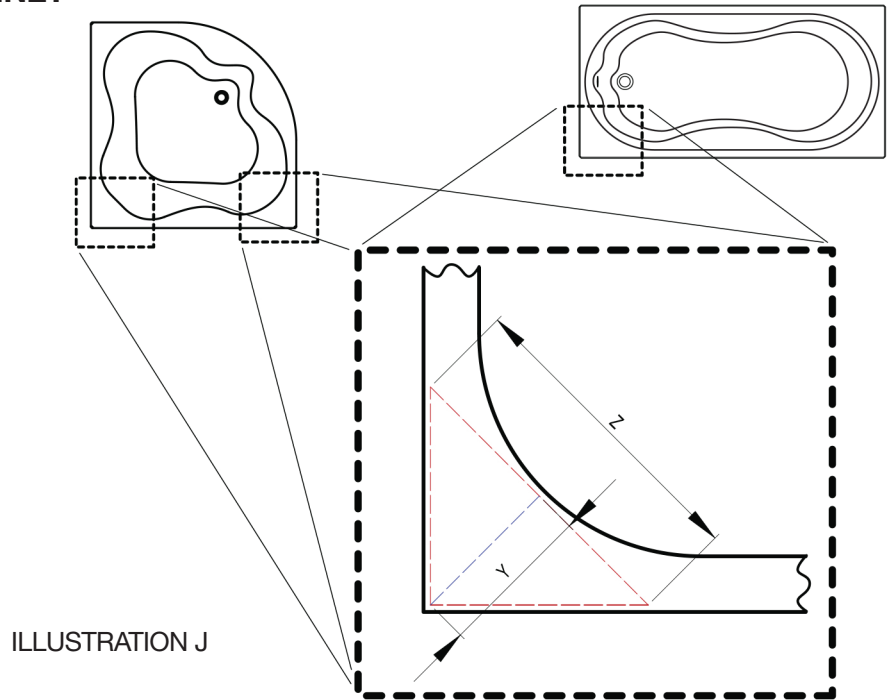


ILLUSTRATION J




VOIR ILLUSTRATION J	LONGUEUR	LARGEUR	"Y" DIAGNOL DECK DIM	"Z" DIAGNOL DECK DIM
PFS5838, PFWPLUS5838	58"	38"	3"	16"
PFS6032A, PFWPLUSA6032	60"	32"	7"	15"
PFS6036N, PFWPLUSA6036N	60"	36"	4"	8 1/2"
PFS6042A, PFWPLUSA6042	60"	42"	10"	21"
PFS6060, PFWPLUSA6060L/R	60"	26"	9"	22"
PFS7040, PFWPLUSA7040	70"	40"	3"	20"
PFS7236A, PFWPLUSA7236	72"	36"	8"	16 1/2"
PFS7242A, PFWPLUSA7242	72"	42"	10 1/2"	21 1/2"
PFS6032LSK, PFW6032ALSK	60"	32"	4"	10"
PFS6032RSK, PFW6032ARSK	60"	32"	4"	10"
PFS6036LSKN, PFW6036ALSKN	60"	36"	4"	8"
PFS6036RSKN, PFW6036ARSKN	60"	36"	4"	8"
PFS6042LSK, PFW6042ALSK	60"	42"	8"	18"
PFS6042RSK, PFW6042ARSK	60"	42"	8"	18"
PFS6636LSK, PFW6636ALSK	66"	36"	8"	18"
PFS6636RSK, PFW6636ARSK	66"	36"	8"	18"
PFS7236LSK, PFW7236ALSK	72"	36"	7"	14 1/2"
PFS7236RSK, PFW7236ARSK	72"	36"	7"	14 1/2"
PFS7242LSK, PFW7242ALSK	72"	42"	6 1/2"	15"
PFS7242RSK, PFW7242ARSK	72"	42"	6 1/2"	15"
PFS6060SK, PFW6060SKPLA	80"	26"	11"	20"


## ENTRETIEN ET NETTOYAGE

L'usage d'huiles de bain et de sels de bain n'est pas recommandé en raison de la difficulté à nettoyer les systèmes et leur utilisation annulera la garantie du consommateur.

Le système de circulation de la pompe et de la tuyauterie devrait être vidangé avant la première utilisation et sur une base mensuelle lorsque le produit est utilisé à une fréquence normale.

Voici les procédures recommandées pour le nettoyage :


-  NE PAS utiliser de nettoyeurs en poudre à moins qu'ils ne soient dissous avec de l'eau.
-  NE PAS FAIRE FONCTIONNER LE BAIN TOURBILLON À SEC. Remplir le bain avec de l'eau de 3 à 7 cm (2 à 3 po) au-dessus des jets et ajouter de 2 à 3 cuillerées à thé de détergent peu moussant comme du détergent pour lave-vaisselle.
-  NE PAS utiliser de solutions de nettoyage concentrées javellisantes et d'ammoniaque. Des solutions chimiques de nettoyage peuvent endommager la surface de la baignoire.
  - Activer le bain tourbillon et faire fonctionner pendant 10 minutes
  - Vider le bain complètement.
  - Remplir le bain avec de l'eau froide jusqu'au-dessus des jets.
  - Activer le bain tourbillon et faire fonctionner pendant 5 minutes
  - Vider le bain complètement.

 NE PAS UTILISER DE NETTOYANTS ABRASIFS, car ils égratigneront et donneront un fini terne à l'acrylique de surface et annuleront la garantie du consommateur. Le plâtre peut être retiré en utilisant un bâton de bois aiguisé.

 NE PAS UTILISER DE RACLOIRS OU BROSSES MÉTALLIQUES OU AUTRES OUTILS ABRASIFS.

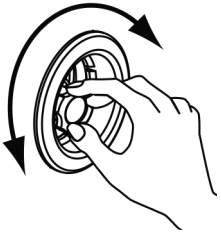
Un détergent doux éliminera habituellement les débris de construction. Les débris plus tenaces peuvent être éliminés avec de l'alcool dénaturé ou le nettoyeur Clorox Soft Scrub®. Les égratignures légères et les zones plus ternes peuvent être restaurées à leur lustre original en frottant avec un nettoyeur de type automobile comme DuPont White Polishing Compound®.

**Remarque:** pour restaurer les produits égratignés ou ternes, appliquer du poli automobile avec un chiffon propre. Frotter vigoureusement toutes les égratignures et les zones ternes. Essuyer les résidus. Appliquer ensuite une couche de cire en pâte blanche pour automobile.

 NE PAS cirer les zones où l'on marche ou se tient debout. Pour des fissures et dommages majeurs, contacter le service à la clientèle au 1 800 221-3379 pour des recommandations de réparation.

## INSTRUCTIONS D'UTILISATION

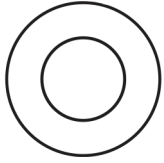
1. Remplir le bain au moins 7 cm (3 po) au-dessus des jets avant d'activer la pompe. NE PAS activer le bain tourbillon à moins que les jets ne soient complètement submergés dans l'eau.
2. Si des raccords installés à l'usine sont retirés, ne pas faire fonctionner le produit. Cela pourrait présenter un risque pour la sécurité.
3. Ne pas utiliser de produit moussant pour le bain lorsque vous faites fonctionner la pompe du tourbillon. Ceci pourrait causer une mousse excessive.
4. Les huiles de bain ne devraient pas être utilisées lorsque vous faites fonctionner le bain tourbillon. Si elles sont utilisées pour un bain régulier, veuillez vider et nettoyer le bain avant d'activer le système tourbillon.
5. L'usage de sels de bain n'est pas recommandé et leur utilisation ANNULERA LA GARANTIE DU CONSOMMATEUR.
6. Les systèmes de bain tourbillon sont conçues de façon à ce que l'eau se vide facilement.
7. Il n'y a aucune pièce pouvant être réparée par l'utilisateur sous le bain. Si un problème survient, veuillez appeler au 1 800 221-3379.



## AJUSTEMENT ET UTILISATION DES JETS

**Jets PF6036:** Les jets peuvent facilement être ajustés en pointant les tuyères dans la direction désirée. La force du débit d'eau et d'induction d'air peut être réglée en tournant la tuyère. Tourner la tuyère dans le sens anti-horaire diminuera le débit d'eau pour le jet en question. Si la tuyère est tournée dans le sens horaire, le débit d'eau augmentera à son maximum. Seul un tour de 1/4 ou de 90° est requis de la position de faible débit à la position complètement OUVERTE.

**Tous les autres jets PROFLO:** Les jets peuvent facilement être ajustés en pointant les tuyères dans la direction désirée. La force du débit d'eau et d'induction d'air peut être réglée en tournant la tuyère. Tourner la tuyère dans le sens anti-horaire diminuera le débit d'eau pour le jet en question. Si la tuyère est tournée dans le sens horaire, le débit d'eau augmentera à son maximum. Seul un tour de 1/4 ou de 90° est requis de la position de faible débit à la position complètement OUVERTE.



## INTERRUPTEUR MARCHE-ARRÊT POUR LES BAINS TOURBILLONS

La pompe du bain tourbillon est activée par l'interrupteur marche-arrêt. Chaque dépression de l'interrupteur actionne la pompe. Si le tout est en mode arrêt, une dépression démarrera la pompe. Si le tout est en mode marche, une dépression fermera la pompe.

## CE PRODUIT EST CONÇU POUR UN USAGE RÉSIDENTIEL ET POUR UN USAGE FAIT PAR DES INDIVIDUS EN SANTÉ.

Les enfants ne devraient pas utiliser ces produits sans la supervision d'un adulte. Les femmes enceintes et les gens ayant des troubles cardiaques ou autres troubles limitant une activité physique normale devraient consulter un médecin avant d'utiliser le produit.

## PROCÉDURES DE RÉPARATIONS

La plupart des égratignures mineures (jusqu'à 0,1 cm (1/64 po) de profondeur) et les brûlures de cigarette peuvent être éliminées en ponçant la zone avec un papier sablé de 600 ou 1 200 grains. Finalement, appliquer un composé de polissage léger et polir la zone avec un tampon de coton de polissage ou quelque chose d'équivalent. Utiliser une application supplémentaire d'un composé de fin polissage si nécessaire. Pour des fissures et dommages majeurs, veuillez appeler au 1 800 426-8964.

## DÉPANNAGE POUR BAIN TOURBILLON

### LE MOTEUR NE DÉMARRE PAS:

1. Vérifier les disjoncteurs.
2. Vérifier qu'il n'y a pas de raccords desserrés ou incorrects.
3. S'assurer que la bonne source d'approvisionnement est utilisée.
4. L'interrupteur marche-arrêt devrait être en mode « On » (marche). Si vous appuyez sur l'interrupteur marche-arrêt et qu'il n'y a aucune résistance lorsque vous appuyez, le tube d'air peut être déconnecté. Vérifier que le tube d'air est bien connecté au moteur et à l'interrupteur marche-arrêt. Si vous entendez un déclic lorsque vous appuyez sur l'interrupteur, mais que le moteur ne se met pas en marche, le circuit électrique du moteur peut être défectueux.
5. S'assurer que les jets sont complètement ouverts et que l'eau circule.

### SURCHAUFFE DU MOTEUR ET MARCHE-ARRÊT:

1. Vérifier qu'il n'y a pas de raccords desserrés ou incorrects.
2. Vérifier s'il y a une basse tension (souvent causée par un câble de trop petite taille).
3. S'assurer que le moteur reçoit un approvisionnement d'air frais et que les événements ne sont pas bouchés.

### LE MOTEUR BOURDONNE, MAIS NE DÉMARRE PAS:

1. Ouvrir les jets, voir l'illustration H.
2. S'assurer que l'axe du moteur tourne librement.
3. Vérifier qu'aucune roue n'est bloquée ou l'absence de toute obstruction au niveau du carter (de volute).
4. Vérifier l'absence d'une basse tension ou d'un câble de trop petite taille.

### FAIBLE DÉBIT D'EAU:

1. Vérifier l'absence de toute obstruction au niveau des lignes de plomberie.
2. Vérifier l'absence d'une basse tension

### FUITES D'EAU:

1. Vérifier les raccords de compressions (raccords unions) en s'assurant qu'ils sont bien alignés et fixés. **SERRER À LA MAIN SEULEMENT. NE PAS UTILISER D'OUTILS.**
2. Vérifier que le joint annulaire est bien fixé et non endommagé

## CONSERVER CES INSTRUCTIONS



## DÉPANNAGE

PROBLÈME	CAUSES	SOLUTION
Le moteur ne démarre pas.	<ul style="list-style-type: none"> <li>- Le disjoncteur peut être déclenché.</li> <li>- Connexion de câble desserrée ou mauvaise</li> <li>- Disjoncteur est déclenché</li> <li>- Installation électrique incorrecte</li> <li>- Les jets sont fermés.</li> </ul>	<ul style="list-style-type: none"> <li>- S'assurer qu'un disjoncteur de 20 ampères est lié au circuit et rien d'autre.</li> <li>- Vérifier l'absence de raccords desserrés ou incorrects, et que la pompe/l'élément chauffant a été bien mis/mise à la terre.</li> <li>- Réinitialiser si nécessaire.</li> <li>- S'assurer que chaque moteur/élément chauffant en ligne utilise sa propre prise protégée par un disjoncteur et son propre disjoncteur de fuite de terre de 20 ampères.</li> <li>- S'assurer que les jets sont complètement fonctionnels et que l'eau circule.</li> </ul>
Surchauffe du moteur et marche-arrêt	<ul style="list-style-type: none"> <li>- Connexion de câble- desserrée ou mauvaise</li> <li>- Ampères incorrects</li> <li>- Approvisionnement d'air au moteur</li> </ul>	<ul style="list-style-type: none"> <li>- Vérifier l'absence de raccords desserrés ou incorrects.</li> <li>- Vérifier s'il y a un approvisionnement de basse tension.</li> <li>- S'assurer que le moteur reçoit un approvisionnement d'air frais et que les événements ne sont pas bouchés.</li> </ul>
La pompe/le moteur fonctionne, mais les jets/air ne sont pas complètement fonctionnels.	<ul style="list-style-type: none"> <li>- Les jets sont fermés.</li> <li>- L'élément d'aspiration/crépine peut être bouché.</li> <li>- Les soupapes d'air sont fermées.</li> </ul>	<ul style="list-style-type: none"> <li>- Ouvrir complètement les jets.</li> <li>- Avec la pompe hors tension, retirer le couvercle de l'élément de succion/crépine et retirer tout débris.</li> <li>- Ouvrir toutes les soupapes de contrôle de l'air.</li> </ul>
Le moteur bourdonne, mais ne démarre pas.	<ul style="list-style-type: none"> <li>- Les jets sont fermés.</li> <li>- La pompe n'a pas suffisamment d'espace pour fonctionner.</li> <li>- Débris dans la pompe</li> <li>- Ampères incorrects</li> </ul>	<ul style="list-style-type: none"> <li>- S'assurer que les jets sont complètement ouverts.</li> <li>- S'assurer que l'axe du moteur tourne librement.</li> <li>- Vérifier qu'aucune roue n'est bloquée ou l'absence de toute obstruction au niveau du carter (de volute).</li> <li>- Vérifier l'absence d'une basse tension ou d'un câble de trop petite taille.</li> </ul>
Faible débit d'eau	<ul style="list-style-type: none"> <li>- Tuyau bouché</li> <li>- Installation électrique incorrecte</li> </ul>	<ul style="list-style-type: none"> <li>- Vérifier l'absence de toute obstruction au niveau des lignes de plomberie.</li> <li>- Vérifier l'absence d'une basse tension.</li> </ul>
Fuites d'eau	<ul style="list-style-type: none"> <li>- Fuite dans la plomberie</li> </ul>	<ul style="list-style-type: none"> <li>- Vérifier les raccords de compressions (raccords unions) en s'assurant qu'ils sont bien alignés et fixés. Serrer à la main seulement, ne pas utiliser d'outils.</li> <li>- Vérifier que le joint annulaire est bien fixé et non endommagé.</li> </ul>

## GARANTIE DE BAIGNOIRE

### QU'EST-CE QUI EST COUVERT?

PROFLO garantit à l'ACHETEUR CONSOMMATEUR ORIGINAL que son bain et son système de bain (sauf en ce qui concerne les explications du paragraphe 3 ci-dessous) seront libres de tout défaut de matériaux ou de fabrication dans le cadre d'un usage normal PENDANT CINQ (5) ANS. Si le bain et le système de bain sont utilisés dans des applications commerciales, industrielles ou d'affaires, la phrase qui précède ne s'applique pas, mais plutôt POUR TOUTES LES APPLICATIONS INDUSTRIELLES, COMMERCIALES OU D'AFFAIRES, LA GARANTIE SERA UNE GARANTIE LIMITÉE D'UN (1) AN À PARTIR DE LA DATE D'ACHAT AVEC TOUTES LES AUTRES CONDITIONS ET EXCLUSIONS DE LA GARANTIE APPLICABLE.

### OBLIGATIONS DE PROFLO

Les obligations de PROFLO sous la garantie énoncée au paragraphe 1 ci-dessus, seront de remplacer, sans frais, tout bain et système de bain PROFLO qui est défectueux comme énoncé ci-dessus, ou au choix de PROFLO, de rembourser le prix d'achat ou de réparer le bain et le système de bain. LA GARANTIE ÉNONCÉE AU PARAGRAPHE 1 REMPLACE TOUTE AUTRE GARANTIE, EXPRESSE OU TACITE, ET S'APPLIQUE UNIQUEMENT À L'ACHETEUR ORIGINAL.

### QU'EST-CE QUI N'EST PAS COUVERT?

La garantie énoncée au paragraphe 1 ne couvre pas, et PROFLO n'est pas responsable de l'installation ou des frais de main-d'oeuvre ou des produits qui ont été endommagés suite à tout accident, mauvais usage, abus, négligence, installation ou entretien inappropriés, l'utilisation d'agents nettoyants abrasifs ou de solvants biologiques, modification, ou le fait de ne pas avoir utilisé le bain et le système de bain selon les instructions fournies par PROFLO ou l'utilisation de pièces autres que celles de PROFLO.

### COMMENT OBTENIR DES SERVICES SOUS GARANTIE

L'acheteur devrait contacter son fournisseur Ferguson local, l'entrepreneur installateur ou le constructeur de qui le produit a été acheté ou appeler le service à la clientèle de PROFLO au 800-221-3379.

### LIMITATION DE RESPONSABILITÉS DE DOMMAGES CONSÉCUTIFS OU ACCESSOIRES ET AUTRES GARANTIES

PROFLO N'EST PAS RESPONSABLE DES BLESSURES CORPORELLES OU DES DOMMAGES À LA PROPRIÉTÉ OU DE TOUT DOMMAGE CONSÉCUTIF, PUNITIF OU ACCESSOIRE. À L'EXCEPTION DE CE QUI EST INDIQUÉ AU PARAGRAPHE 1, PROFLO DÉCLINE TOUTES GARANTIES EXPRESSES OU TACITES, INCLUANT CELLES DE QUALITÉ MARCHANDE ET DE CONDITION POUR UN USAGE PARTICULIER. LA RESPONSABILITÉ DE PROFLO, LE CAS ÉCHÉANT, NE PEUT EXCÉDER LA VALEUR DE REMPLACEMENT DU BAIN ET DU SYSTÈME DE BAIN DÉFECTUEUX. Certains états n'admettent pas l'exclusion ou la limitation des dommages accessoires ou consécutifs ou des limitations concernant la durée de la garantie tacite, donc les limitations énumérées ci-dessus pourraient ne pas s'appliquer à vous. Cette garantie vous confère des droits reconnus par la loi spécifiques et vous pourriez aussi avoir d'autres droits, qui varient d'un état à l'autre.

### VEUILLEZ PORTER ATTENTION À CE QUI SUIT POUR L'ENTRETIEN DE VOTRE BAIN ET VOTRE SYSTÈME DE BAIN. FAUTE DE QUOI LA GARANTIE SERA ANNULÉE:

- Entretien et nettoyage inappropriés.
- L'utilisation d'huiles et de sels de bain annulera la garantie.
- L'utilisation d'agents nettoyants abrasifs, de grattoirs et brosses métalliques ou autres outils abrasifs.
- Une mauvaise installation ou un mauvais entretien annuleront la garantie.

Contactez le service à la clientèle de PROFLO par téléphone au 800-221-3379



PROFLO.COM