



60 x 60 Plus Series Whirlpool & Soaking Baths

Product Features

- Durable easy-care acrylic construction
- Eight fully adjustable color matched hydro jets
- Powerful 7.8 amp pump/motor
- Pre-leveled base, for easy installation
- Factory preset air controls for whirlpool action
- Textured slip resistant bottom
- Electronic on/off switch
- Available as an invigorating whirlpool and an unjetted soaking bath

General Specifications

- 60" length overall
- 21" depth overall
- 60" side length
- 60 gallon operating capacity
- 72 gallon total capacity to overflow
- Requires a single 115V/20 amp GFCI circuit
- Prewired for simple plug-in installation



With Integral Skirt

PFW6060SKPLUSWH

Color Palette

- White - WH
- Biscuit - BS

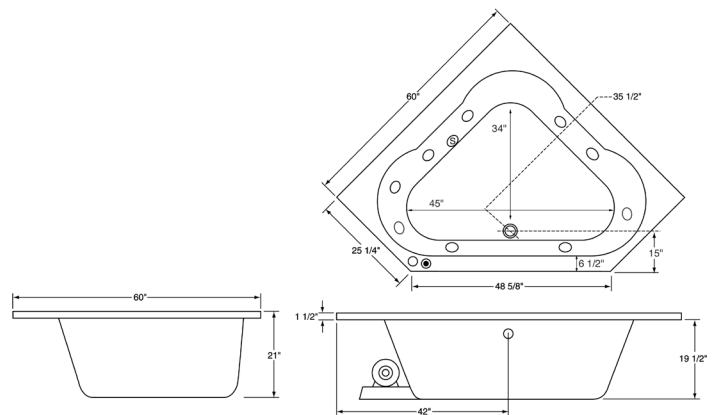
Model Numbers

- PFW6060SKPLUS** 60" x 60" corner whirlpool with left hand pump
- PFS6060SK** 60" x 60" corner bath

Warranty and Codes

This product features a 5-year limited warranty and meets or exceeds the following standards: Whirlpools - IAPMO PS32-84, UL listing 27E7, ANSI Z124.1-95, ASME A112.19.8M-87R(96) and ASME A112.19.7M-95. Baths - ANSI Z124.1-95. In an effort to continually improve our products, design changes may periodically be made. We reserve the right to provide newly designed material to fill any order unless otherwise agreed to in writing.

Product Specifications



Construction

This PROFLO Whirlpool is constructed of the highest-grade acrylic and reinforcement composites available. The plumbing system utilizes high-pressure air and waterway tubing and each joint is solvent welded and pressure tested. Each unit is leveled and performance tested before leaving the factory.

NOTE: All dimensions and specifications are nominal and may vary $\pm 1/4$ ". Use actual products for accuracy in critical situations.

