

**PF9300 Series**

# Dual Flush Toilets



## General Specifications

- Two-piece vitreous china
- Choose either 1.6 or 1.1 gallons per flush
- 2" glazed trapway
- Gravity fed, box rim
- HET, High Efficiency Toilet
- EPA WaterSense Certified
- Meets ANSI ASME A112.19.14-2006 and ASME A112.19.2M
- 9" x 7" water surface
- Available in round, elongated and ADA
- Close coupled tank with cover
- Color matched trip lever
- Available in white only
- Seat and supply not included
- Anti-siphon fill valve



PF9301/PF9312

## Model Numbers

- |                 |                                       |
|-----------------|---------------------------------------|
| <b>PF9300WH</b> | Bowl HET Dual Flush RF White          |
| <b>PF9301WH</b> | Bowl HET Dual Flush EB White          |
| <b>PF9303WH</b> | Bowl HET Dual Flush ADA White         |
| <b>PF9312WH</b> | Tank HET Dual Flush 1.1/1.6 gpf White |

## Available Parts

- PF9312FLPK** Fill valve assembly
- PF9312FVPK** Dual flush tower assembly (includes white trip lever)
- PFTGPK** Tank gasket w/bolts
- PF5112LIDWH** Tank lid white

## Detailed Use Instructions

The Dual Flush enables a 1.1 gallon flush by pushing the flush lever back for liquid or light waste. The 1.6 gallon flush can be utilized by pulling forward on the trip lever providing a strong flushing action for bulk or solid waste.

## Warranty and Codes

This product comes complete with installation, operating, care and maintenance instructions. All PROFLO fixtures carry a 1- year limited warranty. In an effort to continually improve our products, we will make design changes form time to time. We reserve the right to ship newly designed product to fill any order unless we agree in writing to do otherwise.

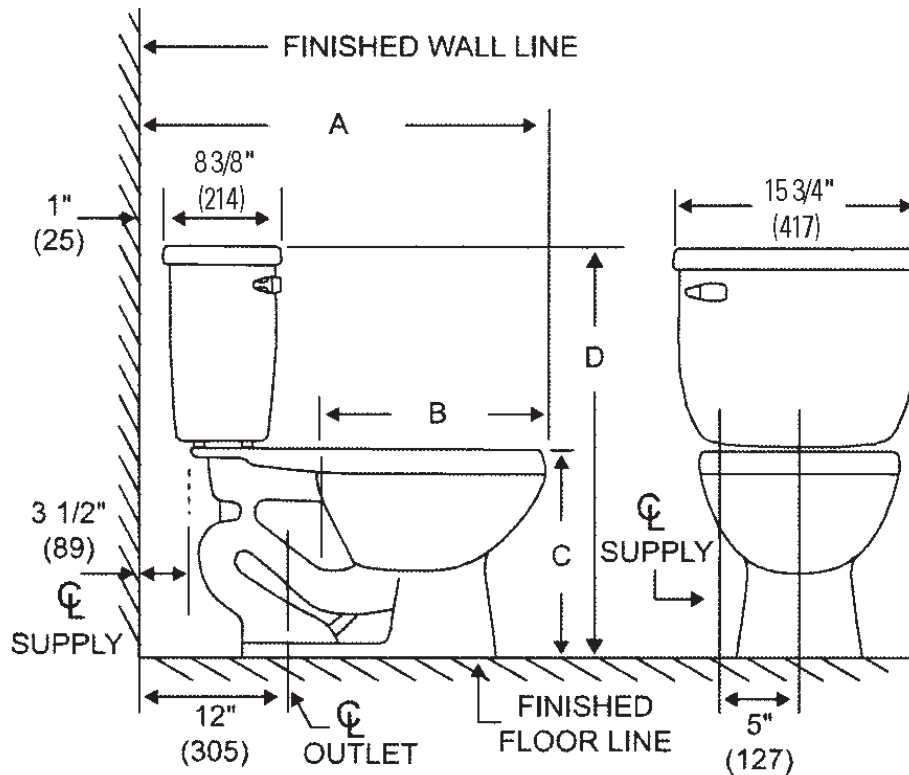


# Dual Flush Toilets



### Certifications

Meets strict flushing performance guidelines established by the EPA (Environmental Protection Agency) WaterSense program. Leadership in Energy and Environmental Design (LEED) Compliant. Los Angeles Department of Water and Power (LADWP) Compliant.



	RF	EL	ADA
	PF9300	PF9301	PF9303
A	28-1/4"	30-1/4"	30-1/4"
B	16-1/2"	18-1/2"	18-1/2"
C	14-5/8"	14-5/8"	17"
D	28-7/8"	28-7/8"	31-1/4"