

**PF1700BB**

# **“Elementary” Flush Valve Bowl Top Spud**



## **Product Features**

- Vitreous china
- 10” Rough-in
- 10” high bowl
- Siphon jet flushing (1.6 gpf/6.0 Lpf)
- 1-1/2” Top inlet spud
- 8-7/8” x 7” water surface
- Flush valve and seat not included



**PF1700BB**

## **Codes and Standards**

- IAPMO/UPC
- ASME A112.19.2
- CSA

## **Technical Information**

<b>Fixture:</b>	
Configuration	flush valve bowl
Water per flush	1.6 gpf/6.0 lpf
Spud size	1-1/2”
Trapway	2-1/8” fully glazed
Water area	8-7/8” X 7”
Seat post hole centers	5-1/2”

## **Available Parts**

**PFTSBB1000WH**      Elementary Commerical Toilet Seat

## **Specified Model**

<b>Model</b>	<b>Model Description</b>	<b>Color Finishes</b>
PF1700BB	RF Flush valve elementary bowl - 10” RI	○ White (WH)



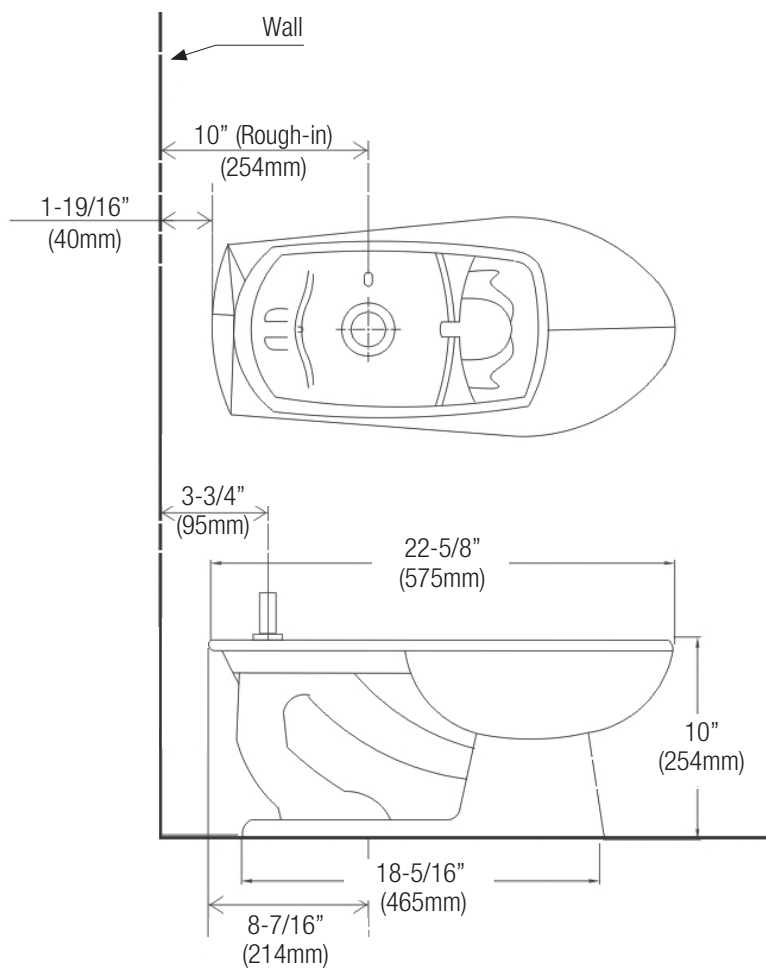
PF1700BB



# “Elementary” Flush Valve Bowl Top Spud

## Product Specification:

The combination toilet shall be made of vitreous china. Toilet shall be 1.6 gpf (6.0 lpf). Toilet shall have 2” (5.1 cm) glazed trapway. Toilet shall be less seat and supply.



## Warranty and Codes:

These products come complete with installation, operating, care and maintenance instructions. All PROFLO fixtures carry a 1- year limited warranty. These products meet or exceed ASME/ANSI A112.19.2M. In an effort to continually improve our products, FEI will make design changes from time to time. We reserve the right to ship newly designed product to fill any order unless we agree in writing to do otherwise.

