

PF1400T Series

Low Consumption Two-Piece Toilet Vitreous China



Product Features

- Gravity fed (1.6gpf/6.0Lpf)
- Two-piece vitreous china
- 2" fully glazed trapway
- 6" x 5-1/4" water surface
- Anti-siphon fill valve
- Box rim
- Close coupled tank with cover
- Quick connect, 2 bolt tank to bowl installation
- 2" Flush valve
- Comes standard with a color matching trip lever
- Sanitary bar on all bowls
- Seat and supply not included
- Available in 10", 12", 14" RI
- Available with RH trip lever
- Available with insulated tank
- Available round front, elongated, and ADA




PF1403TWH/PF5112WHM

Codes and Standards

- IAPMO/UPC
- ASME A112.19.2
- CSA B45.0
- CSA B45.1

Technical Information

Fixture	
Configuration	two-piece toilet
Consumption	1.6 gpf/6.0 lpf
Passageway	2" glazed
Water surface	6" x 5-1/4"
Water depth from rim	6 1/2"
Seat post hole centers	5 1/2"

Model	Model Description	Color Finishes
*PF1400T	1.1-1.6 12 RI RF UNIV BOWL	○ White ○ Biscuit
*PF1401T	1.1-1.6 12 RI EL UNIV BOWL	○ White ○ Biscuit
PF1403T 	1.1-1.6 12 RI ADA UNIV BOWL	○ White ○ Biscuit
PF5112 (WH or BS)M	Tank only 12" RI for 1400 series	○ White ○ Biscuit
PF5110 (WH or BS)M	Tank only 10" RI for 1400 series	○ White ○ Biscuit
PF5114WHM	Tank only 14" RI for 1400 series	○ White
PF5112RWHM	RH Tank	○ White
PF5112UWHM	Insulated Tank	○ White

* = complies with CSA B651

wheelchair symbol = complies with ADA & CSA B651



PF1400T Series

Low Consumption Two-Piece Toilet Vitreous China



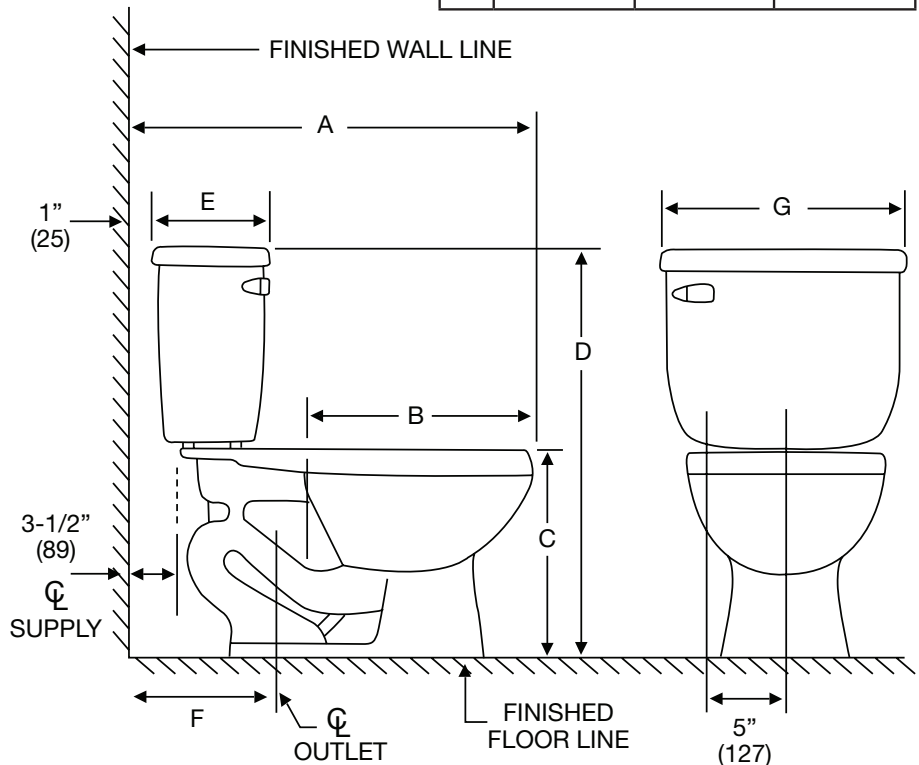
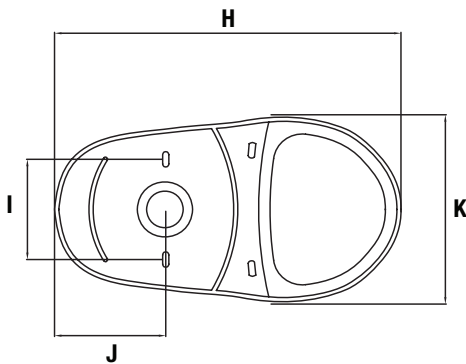
Product Features

The combination toilet shall be made of vitreous china. Toilet shall be 1.6 gpf (6.0 lpf). Toilet shall have 2" (5.1cm) fully glazed trapway. Toilet shall include chrome trip lever. Toilet shall be less seat and supply. Toilet shall be ADA compliant (PF1403T) with 17" high bowl.

	PF5114 /1400T	PF5114 /1401T	PF5114 /1403T
A	30-1/2"	32-1/8"	32-1/8"
E	9-3/4"	9-3/4"	9-3/4"
F	14"	14"	14"
G	15-3/4"	15-3/4"	15-3/4"

	PF5110 /1400T	PF5110 /1401T	PF5110 /1403T
A	26-1/2"	28-1/8"	28-1/8"
E	6-1/4"	6-1/4"	6-1/4"
F	10"	10"	10"
G	17-1/2"	17-1/2"	17-1/2"

	PF5112 /1400T	PF5112 /1401T	PF5112 /1403T
A	28-1/2"	30-1/8"	31-1/8"
B	16-1/2"	18-1/2"	18-1/2"
C	15"	15"	17"
D	29-3/4"	29-3/4"	31-3/4"
E	8-1/2"	8-1/2"	8-1/2"
F	12"	12"	12"
G	15-3/4"	15-3/4"	15-3/4"



Footprint

	RF	EL	ADA
	PF1400T	PF1401T	PF1403T
H	18-1/2"	18-1/2"	18-1/2"
I	6"	6"	6"
J	6-1/8"	6-1/2"	6-1/2"
K	9"	9"	9"

Warranty and Codes:

This product comes complete with installation, operating, care and maintenance instructions. All PROFLO fixtures carry a 1-year limited warranty. This product meets or exceeds ASME/ANSI A112.19.2M. In an effort to continually improve our products, we will make design changes from time to time. We reserve the right to ship newly designed product to fill any order unless we agree in writing to do otherwise.

