

PF20171 / PF20174 / PF20178

Drop-in Lavatory Vitreous China - 20" x 17"



Product Features

- Vitreous china
- Self-rimming lavatory
- Concealed front overflow drain
- Available 4CC, 8CC or single faucet hole
- Can be mounted for ADA installation
- Adhesive sealant included



PF20174

Codes and Standards

- ADA
- IAPMO/UPC
- ASME/ANSI A112.19.2M
- CSA B45

Included Components

- Adhesive sealant

Specified Model

Model	Model Description	Color Finishes
PF20171	Drop-in lav 17 1/2"x20 1/2" - single faucet hole	○ White
PF20174	Drop-in lav 17 1/2"x20 1/2"-- 4cc	○ White ○ Biscuit
PF20178	Drop-in lav 17 1/2"x20 1/2"-- 8cc	○ White ○ Biscuit



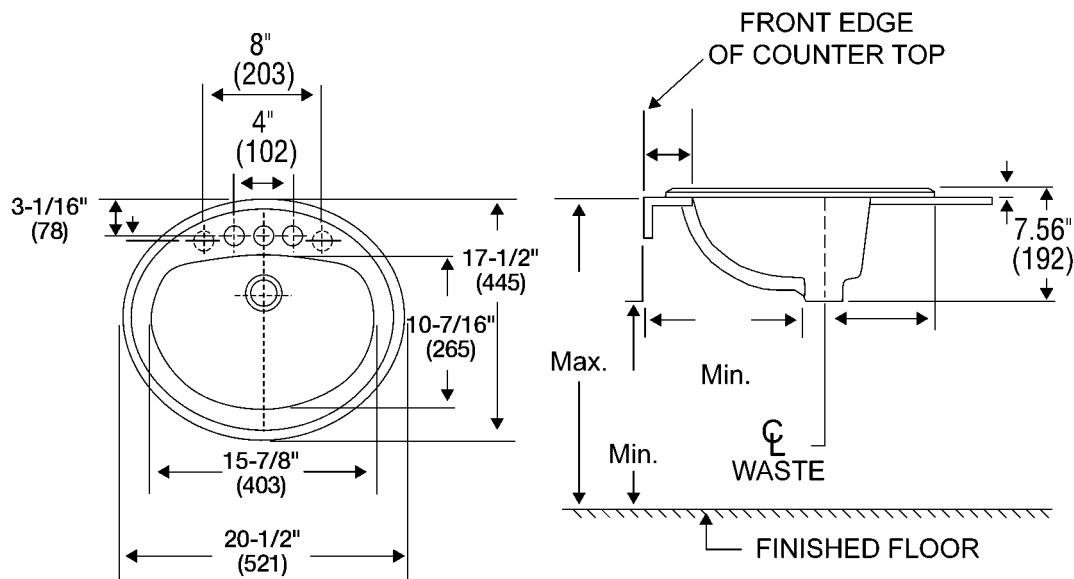
PF20171 / PF20174 / PF20178

Drop-in Lavatory Vitreous China - 20" x 17"



Product Specification:

The self-rimming lavatory shall be 17 1/2" in length by 20 1/2" in width. Lavatory shall be made of vitreous china. Lavatory shall have 4" centers (PF20174), 8" centers (PF20178) or single faucet hole (PF20171).



Warranty and Codes:

These products come complete with installation, operating, care and maintenance instructions. All PROFLO fixtures carry a 1-year limited warranty. These products meet or exceed ASME/ANSI A112.19.2M. In an effort to continually improve our products, we will make design changes from time to time. We reserve the right to ship newly designed product to fill any order unless we agree in writing to do otherwise.

