

PF1118

Utility Faucet with Wall Base



Product Features

- Vacuum breaker
- Integral stops
- 3/4" hose thread on spout
- Meets ANSI: A112.18.1M
- NSF/ANSI Std. 61 compliant
- UPC/IAPMO listed
- Solid brass waterways
- Renewable seats and stems
- Polished chrome finish



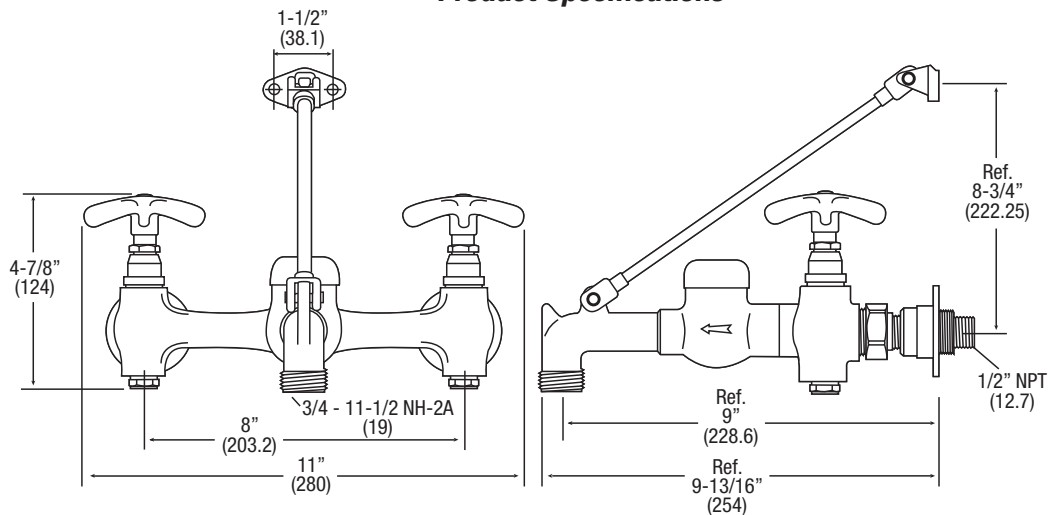
PF1118

Available Parts

- PF141553PK Vacuum breaker
PF141554PK Hot/cold stem

Product Specifications

Flow Rates	
Pressure (PSI)	gpm
20	1.98
30	2.38
40	3.01
50	3.25
60	3.57
70	4.2
80	4.52



Warranty and Codes

This product comes complete with installation, operating, care and maintenance instructions. This PROFLO faucet carries a limited lifetime warranty. This product meets ANSI: A112.18.1M.

