



# PF2930G CASSADORE SINGLE HANDLE TUB & SHOWER TRIM

**Model Numbers:**

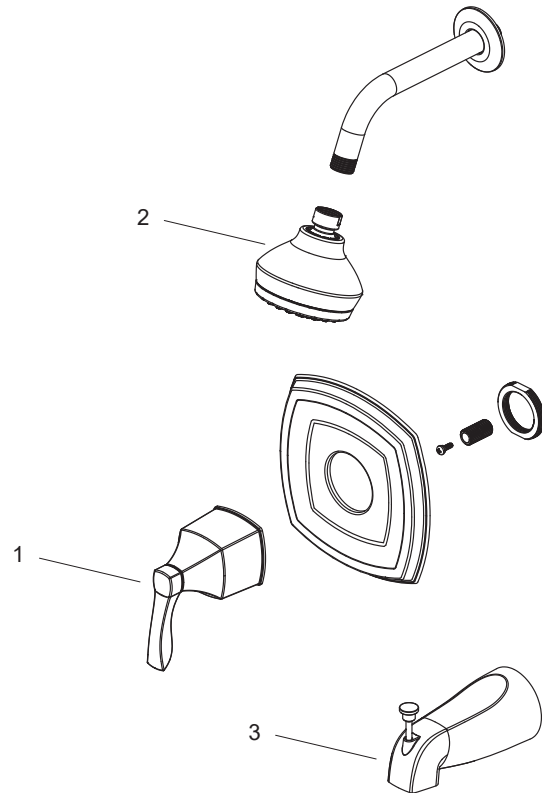
- PF2930GCP Chrome
- PF2930GZBN Brushed nickel

No.	Item	Part Number	Material Type
1	Handle	0BPF79010410001*	Zinc Alloy
2	Showerhead	PFSH322*	Plastic
3	Tub Spout	PFTS37*	Zinc Alloy

\* Specify Finish



PF2930GCP



**Warranty and Codes**

This product comes complete with installation, operating, care and maintenance instructions. This PROFLO faucet carries a limited lifetime warranty when installed in residential applications. The warranty is five years in commercial applications. This product meets ASME: A112.18.1.

