

# PFXC9517 ROYSTONE SINGLE HANDLE KITCHEN FAUCET



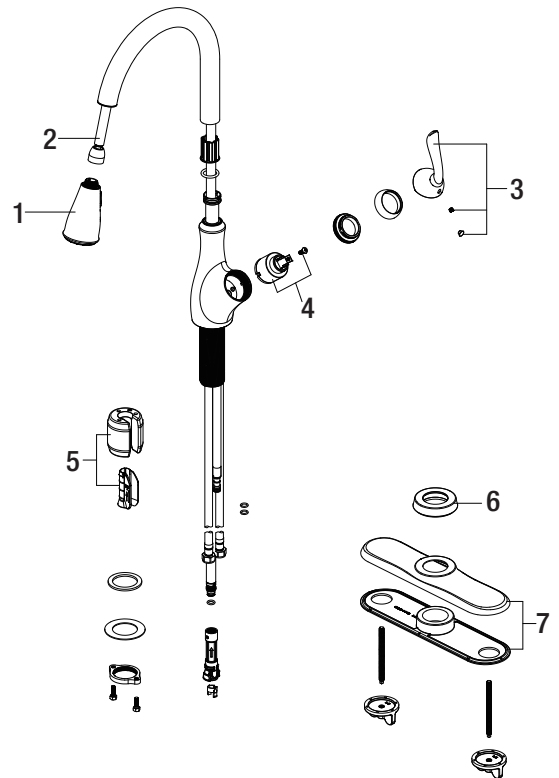
**Model Numbers**

PFXC9517CP            Chrome  
PFXC9517ZBN        Brushed nickel

No.	Item	Part Number	Material Type
1	Sprayhead	OBPF6F38009*	Abs
2	Hose	OBPF8F70008A	Nylon
3	Handle	OBPF7F13037*	Zinc alloy
4	Cartridge & Screw	OBPF220094	Ceramic
5	Weight	OBPF1F70022A	Steel
6	Flange	OBPF180463*	Zinc alloy
7	Escutcheon	OBPF1F80029*	Zinc alloy



PFXC9517CP



**Warranty and Codes**

This product comes complete with installation, operating, care and maintenance instructions. This PROFLO faucet carries a limited lifetime warranty when installed in residential applications. The warranty is five years in commercial applications. Certified to ASME A112.18.1.  
\*Compliant with lead content requirements of California AB1953



[FERGUSON.COM/PROFLO](http://FERGUSON.COM/PROFLO)