

Specifications

PFWSC5850 Hopkins Single Handle Lavatory Faucet



Product Features

- Ceramic cartridge
- Metal lever handle
- Optional deck plate included
- 50/50 Pop-up drain assembly
- Max. flow rate: 1.2 gpm (4.5 L/min) at 60 psi
- EPA WaterSense approved
- cUPC/IAPMO listed
- ADA compliant

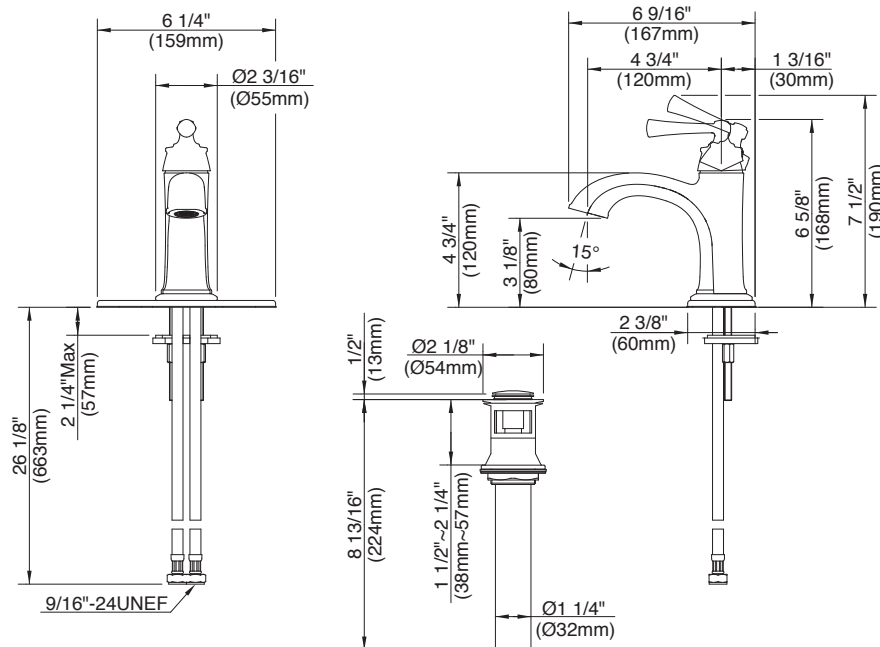


Optional Accessories / Available Parts

PFWSC5850CP	Chrome
PFWSC5850ZBN	PVD Brushed nickel

PFWSC5850

Product Specifications



* All measurements are nominal. Please verify before actual installation.

Warranty and Codes

This product comes complete with installation, operating, care and maintenance instructions. This PROFLO faucet carries a limited lifetime warranty when installed in residential applications. The warranty is five years in commercial applications. Compliant with lead content requirements of California AB 1953 and Vermont S.152.

