

SPEC

PFWSC4747S

SINGLE HANDLE LAVATORY FAUCET



Product Features

- 4" centerset installation
- Flow rate: 1.2 gpm at 60 PSI
- Metal lever handle
- Ceramic disc cartridge
- Less pop-up
- Max deck thickness: 1-1/2"
- 30" flexible nylon Neoperl supply lines
- Brass construction
- Certified to ASME A112.18.1/CSA B125.1
- NSF/ANSI/CAN61: $Q \leq 1$
- cUPC/IAPMO listed
- WaterSense rated
- With adjustable temperature limit stop

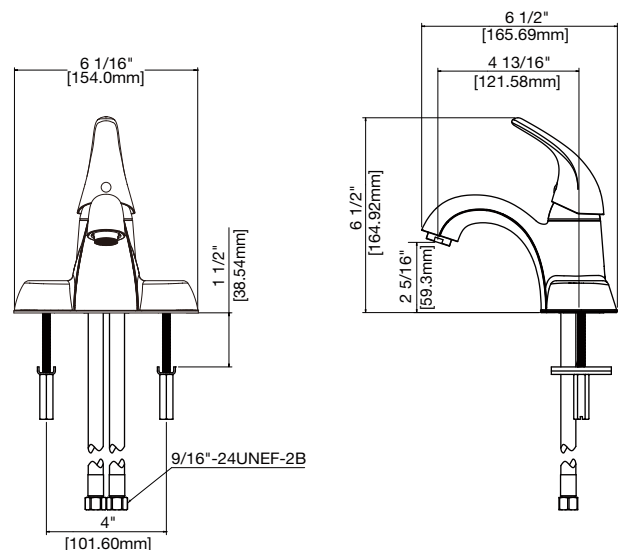


PFWSC4747SCP

Model Numbers

PFWSC4747SCP chrome

Product Specifications



Warranty and Codes

This product comes complete with installation, operating, care and maintenance instructions. This PROFLO faucet carries a limited lifetime warranty when installed in residential applications. The warranty is five years in commercial applications.

*Compliant with lead content requirements of California AB 1953.



NSF/ANSI/CAN372
NSF/ANSI/CAN 61-8 Qs1



FERGUSON.COM/PROFLO