

Specifications

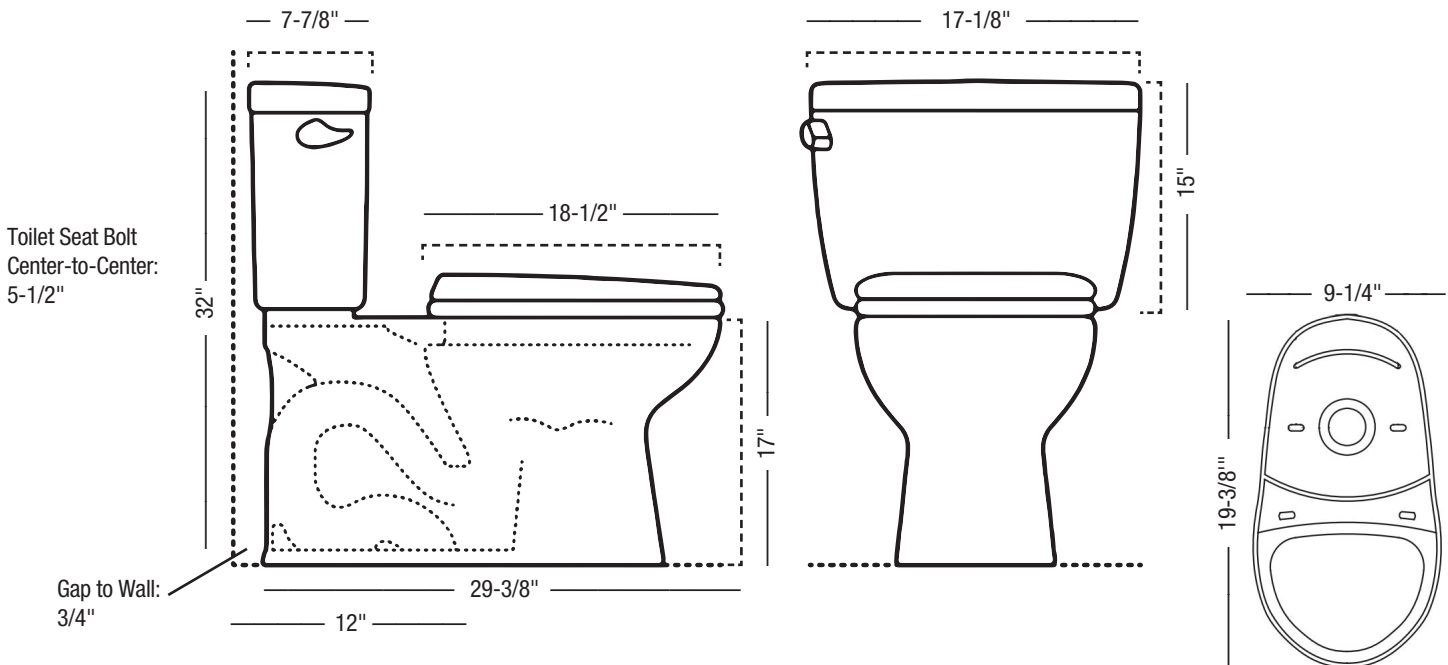
PFGLC412UHEWH – Greenlee Series

Two-Piece Ultra High-Efficiency ADA Elongated Toilet



Product Features

- Flow Rate: 0.8 GPF (3.03 LPF)
- Bowl Shape: Elongated
- Bowl Height: 17"
- Rough In: 12"
- Flush Lever Color: Color match
- Flush Lever Location: Left
- Flush Valve Size: 3"
- Trapway Size: 1-3/4"
- Flush Type: Gravity
- Finish/Color: White
- Bowl Model Number: PF9803WH
- Tank Model Number: PF9812WH
- Seat Included: No



Warranty and Codes

This product comes complete with installation, operating, care and maintenance instructions. All PROFLO fixtures carry a lifetime limited warranty on vitreous china and a 5-year limited warranty on fittings. In an effort to continually improve our products, we will make design changes from time to time. We reserve the right to ship newly designed product to fill any order unless we agree in writing to do otherwise.

