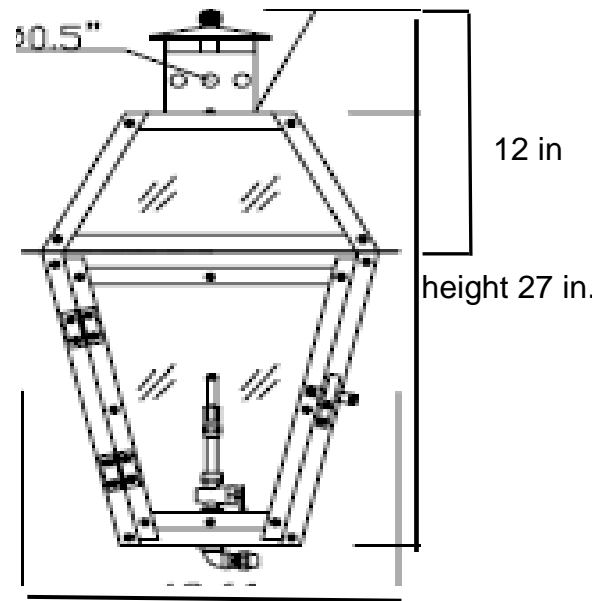


Accessories available  
 electric conversion  
 5 light cluster  
 propane conversion  
 wind guard  
 all other accessory  
 brackets must be  
 custom made on a  
 per quote basis



Wall Bracket included



Width is 16 in

Extension is 18 in

**PL-27E "St. Ann" IN AGED COPPER**