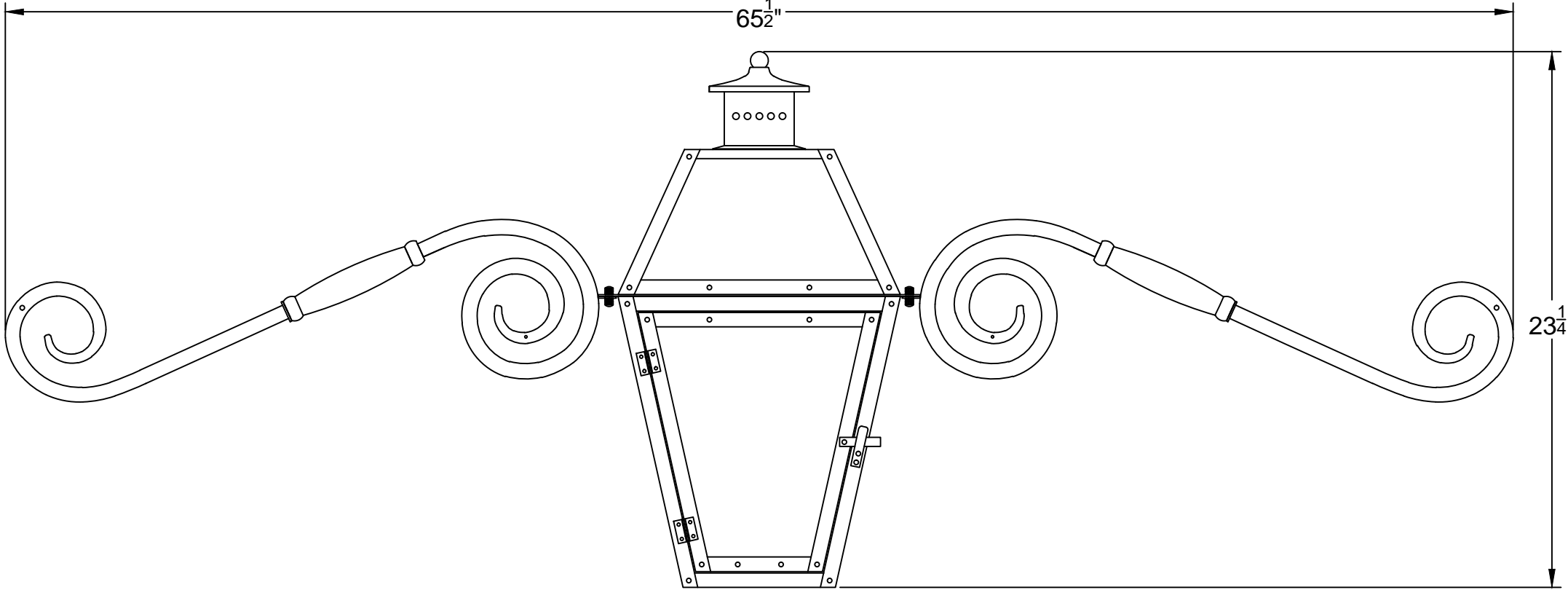


OL-22

65 $\frac{1}{2}$ "



23 $\frac{1}{4}$ "

MU