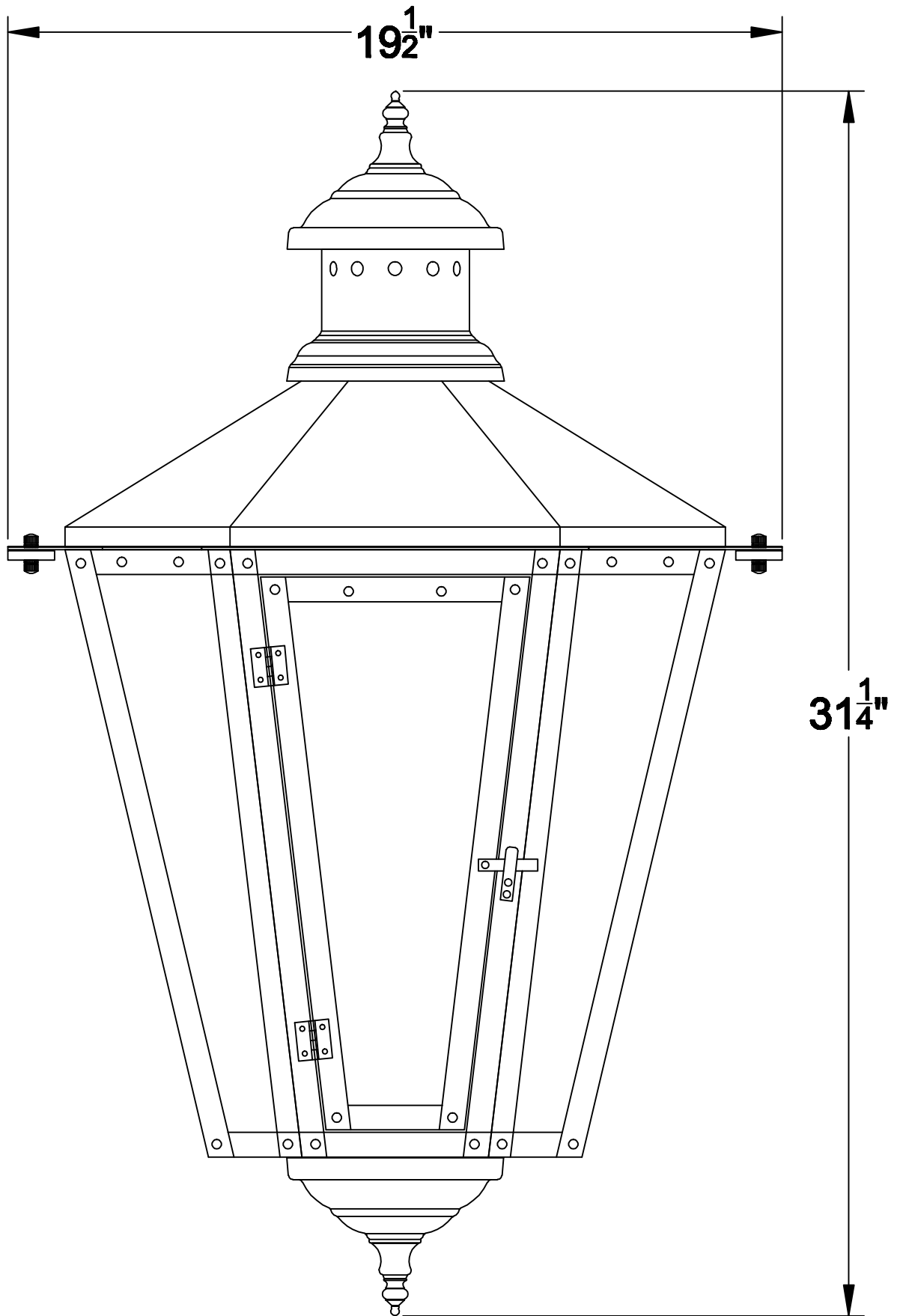


# NW-32



## Front