



# New Construction DBX DBXQC

Line Voltage  
Incandescent Downlight  
AirShield™  
IC/Non-IC Rated  
120V

### APPLICATIONS:

Suitable for new construction, whether or not insulation is present, including residentially in a single story home or on the second level of a two story home; or commercially in spaces such as offices, single story retail, and hospitality environments. The DBX complies with requirements for AirShield™ applications.

### AIR TIGHT REQUIREMENTS:

The DBX is AirShield™ rated in compliance with ASTM E283 and the Washington State Energy Code (W.S.E.C.).

### REFLECTOR:

Trims are retained by a spring shipped with DBX and has a positive upward spring action to ensure a snug fit to the ceiling plane, eliminating unwanted light leak, and sagging over time. Trims come standard with a painted white trim ring.

### LAMP/SOCKET:

Porcelain socket with brass or copper screw shell. Socket snaps into trim carrier to place lamp in proper position ensuring consistent appearance and performance. Socket is shipped with removeable paint protection cap. Thermal protector prevents fixture from overheating when improperly installed or over-lamped. Refer to trim for specific lamp information. Lamps furnished by others.

### INSTALLATION:

Patent pending Pro-Nail™ bar hangers with integral real nail compatible with common joist systems and materials. Joist alignment tab for rapid and consistent positioning and convenient nail removal features for easy re-positioning. Integral snap-on T-bar grip-lock feature and rigid 24" telescoping bar hanger design 150% stronger than conventional designs. Auxiliary mounting points for additional fasteners or wire suspension to structure. Bar hangers are captive with positive extension stop and locking feature to fix position, and can be reoriented 90° to housing. Optional sheet metal screw for steel construction with SBH housing option.

### HOUSING:

Galvanized steel housing with full wrap-around plaster frame. Housing adjusts from 1/2" to 2 1/2" thick ceilings. Notched mounting frame for easy alignment. Housing includes knock out free integral Romex clamps, overspray protection, universal J-box with snap-out sides, 1/2" and 3/4" knock outs for rigid or BX fittings, thermal protector, and a grounding pigtail. Removable K.O. for remodel use (plaster flange clips required). Rated for 8 #12 90° conductors (4 in/4 out). Removable housing for field inspection of wiring. Pre-installed wire quick connects available by ordering DBXQC.

### LABELS:

IC and Non-IC rated. UL, CUL listed for damp location and through wiring. Thermally protected. Air Shield™ rated. WSEC compliant.

DATE: \_\_\_\_\_ TYPE: \_\_\_\_\_

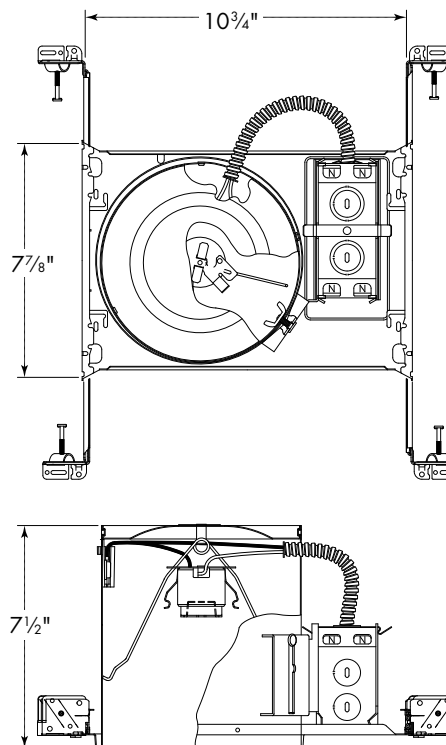
FIRM NAME: \_\_\_\_\_

PROJECT: \_\_\_\_\_

## LiteBox 6"

Aperture: Nominal 6"  
Ceiling Cutout: 6 7/8"  
Maximum Ceiling Thickness: 2 1/2"  
For conversion to millimeters,  
multiply inches by 25.4  
Not to Scale

### Featuring



CATALOG NUMBER:

EXAMPLE: DBX-TB60-G6

HOUSING	HOUSING OPTIONS	TRIMS	TRIMS	TRIMS	TRIMS	ACCESSORIES
<input type="checkbox"/> <b>DBX</b> 6" IC/Non-IC air-tight w/ nail bar hanger  <input type="checkbox"/> <b>QC</b> With wire quick-connects	<input type="checkbox"/> <b>SBH</b> Screw bar hanger  <i>ADJUSTABLE</i> <input type="checkbox"/> <b>TA60</b> <input type="checkbox"/> <b>TA65</b> <input type="checkbox"/> <b>TAW65</b>	<i>BAFFLE</i> <input type="checkbox"/> <b>TB60</b> <input type="checkbox"/> <b>TBW60</b> <input type="checkbox"/> <b>TB61</b> <input type="checkbox"/> <b>TBW61</b> <input type="checkbox"/> <b>TB62</b> <input type="checkbox"/> <b>TBW62</b>	<i>LENSED</i> <input type="checkbox"/> <b>TL60</b> <input type="checkbox"/> <b>TL61</b> <input type="checkbox"/> <b>TL62</b> <input type="checkbox"/> <b>TL63</b> <input type="checkbox"/> <b>TL64</b>	<i>OPEN SHOWER</i> <input type="checkbox"/> <b>TO63WL</b> <sup>1</sup> <input type="checkbox"/> <b>TO64WL</b> <sup>1</sup>	<i>OPEN</i> <input type="checkbox"/> <b>TO6</b> <input type="checkbox"/> <b>TO60B</b> <input type="checkbox"/> <b>TO60C</b> <input type="checkbox"/> <b>TO60G</b> <input type="checkbox"/> <b>TO61</b> <input type="checkbox"/> <b>TO62</b>  <i>WALL WASH</i> <input type="checkbox"/> <b>TW61BF</b> <input type="checkbox"/> <b>TW61WBF</b>	<input type="checkbox"/> <b>G6</b> Ceiling gasket for 6" line voltage trim.

<sup>1</sup>Inoor/outdoor lamp required.

Note: All trims are 7<sup>3</sup>/<sub>4</sub>" O.D. except where indicated.

## Adjustable



**TA60**  
White eyeball.  
Max. 75W PAR-30, 65W BR-30  
Adj. 358°H x 30°V



**TA65, TAW65**  
Black (TA65) or white (TAW65) regressed baffle eyeball.  
Max. IC Application: 50W PAR-30, 65W BR-30;  
Max. Non-IC Application: 75W PAR-30, 85W BR-30.  
Adj. 358°H x 30°V

## Baffle



**TB60**  
Stepped black baffle.  
Max. IC Application: 75W PAR-30, 65W BR-30;  
Max. Non-IC Application: 150W PAR-38, 120W BR-40, 40W A-19



**TBW60**  
Stepped white baffle.  
Max. IC Application: 75W PAR-30, 65W BR-30;  
Max. Non-IC Application: 150W PAR-38, 120W BR-40, 40W A-19



**TB61**  
Long-neck black baffle.  
Max. IC Application: 75W PAR-30L, 65W BR-30;  
Max. Non-IC Application: 75W PAR-30L, 85W BR-30, 100W A-19



**TBW61**  
Long-neck white baffle.  
Max. IC Application: 75W PAR-30L, 65W BR-30;  
Max. Non-IC Application: 75W PAR-30L, 100W A-19, 85W BR-30



**TB62**  
High-wattage black stepped baffle. O.D. 8<sup>3</sup>/<sub>4</sub>" dia.  
Max. Non-IC Application: 150W PAR-38, 120W BR-40



**TBW62**  
High-wattage white stepped baffle. O.D. 8<sup>3</sup>/<sub>4</sub>" dia.  
Max. IC Application: 90W PAR-38, 85W BR-40;  
Max. Non-IC Application: 150W PAR-38, 120W BR-40

## Lensed



**TL60**  
Shower trim with dropped opal glass lens. Non-metallic flange. Wet location approved.  
Max. IC Application: 50W PAR-30, 40W A-19;  
Max Application. Non-IC: 75W PAR-30, 75W A-19



**TL61**  
Shower trim with dropped opal glass lens. O.D. 8<sup>1</sup>/<sub>4</sub>" dia. Metal flange. Wet location approved.  
Max. IC Application: 50W PAR-30, 60W A-19;  
Max. Non-IC Application: 75W PAR-30, 75W A-19



**TL62**  
Fresnel lensed trim. Wet location approved. Non-metallic flange.  
Max. IC Application: 50W PAR-30;  
Max. Non-IC Application: 75W PAR-30



**TL63**  
Domed polycarbonate shower trim. O.D. 8<sup>1</sup>/<sub>4</sub>" dia. Wet location approved.  
Max. IC Application: 40W A-19;  
Max. Non-IC Application: 75W A-19



**TL64**  
White albalite flush glass lensed trim. Metal flange. Wet location approved.  
Max. Non-IC Application 75W PAR-30, 60W A-19

## Open



**TO6**  
White cone.  
Max. IC Application: 75W PAR-30, 65W BR-30;  
Max. Non-IC Application: 150W PAR-38, 120W BR-40, 40W A-19



**TO60B**  
Black Alzak reflector.  
Max. IC Application: 75W PAR-30, 65W BR-30;  
Max. Non-IC Application: 150W PAR-38, 120W BR-40, 40W A-19



**TO60C**  
Specular clear Alzak reflector.  
Max. IC Application: 75W PAR-30, 65W BR-30;  
Max. Non-IC Application: 150W PAR-38, 120W BR-40, 40W A-19

## Open (cont.)



**TO60G**  
Specular gold Alzak reflector.  
Max. IC Application: 75W PAR-30, 65W BR-30;  
Max. Non-IC Application: 150W PAR-38, 120W BR-40, 40W A-19



**TO61**  
White open splay.  
Max. IC Application: 75W PAR-30L, 65W BR-30;  
Max. Non-IC Application: 75W PAR-30L, 85W BR-30, 100W A-19



**TO62**  
White open trim. Metal Flange.  
Max. IC Application: 85W BR-40/PAR-38  
Max. Non-IC Application: 120W BR40, 150W PAR38

## Open Shower



**TO63WL**  
White open shower trim. Metal flange. Wet location approved.  
Max. 50W PAR-30L



**TO64WL**  
High wattage white open shower trim. O.D. 8<sup>3</sup>/<sub>4</sub>" dia. Metal Flange. Wet location approved.  
Max. 75W PAR-38



## Wall Wash

**TW61BF**  
Black baffle wall wash.  
Max. Non-IC only: 60W A-19  
**TW61WBF**  
White baffle wall wash.  
Max. Non-IC only: 60W A-19

Denotes AirShield™ capability with DBX. Refer to [www.prescolite.com](http://www.prescolite.com) for photometrics.

UL Listed for wet locations.