

Premier Copper Products

ITEM # VS16FDB SQUARE FEATHERED VESSEL

OUTER DIMENSIONS: 16"X16"X6"

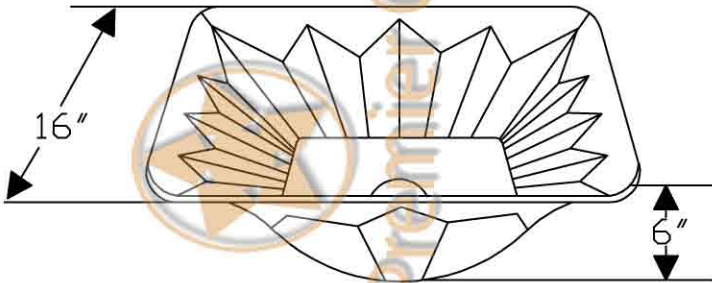
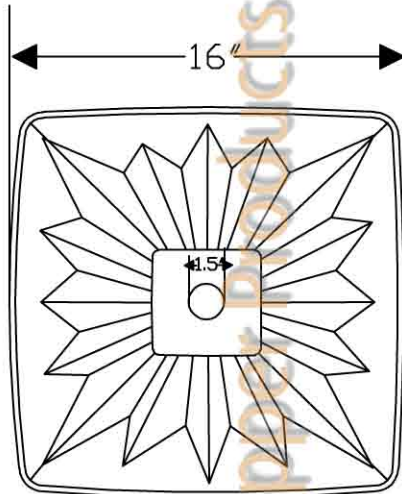
INNER DIMENSION: 16"X16"X6"

DRAIN SIZE: 1.5" W/O OVERFLOW

MATERIAL GAUGE: 17

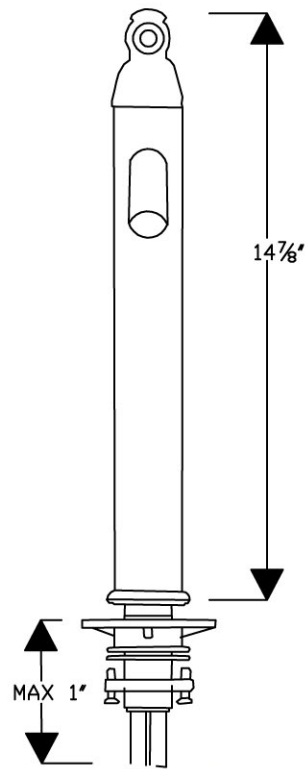
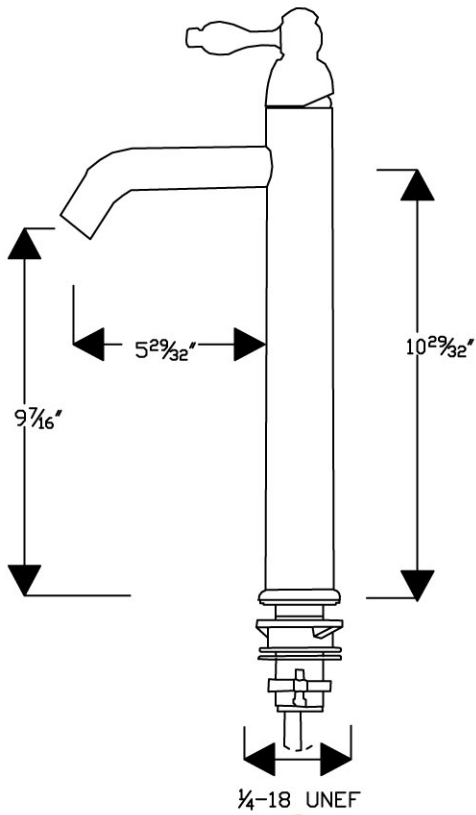
CODE/STANDARD COMPLIANCE

* IAPMO/cUPC LISTED



IMPORTANT: THIS PRODUCT IS HAND CRAFTED AND SMALL VARIANCES MAY OCCUR. DIMENSIONS MAY VARY UP TO 1/4". DO NOT MAKE ANY INSTALLATION CUTS UNTIL YOU RECEIVE YOUR SINK.

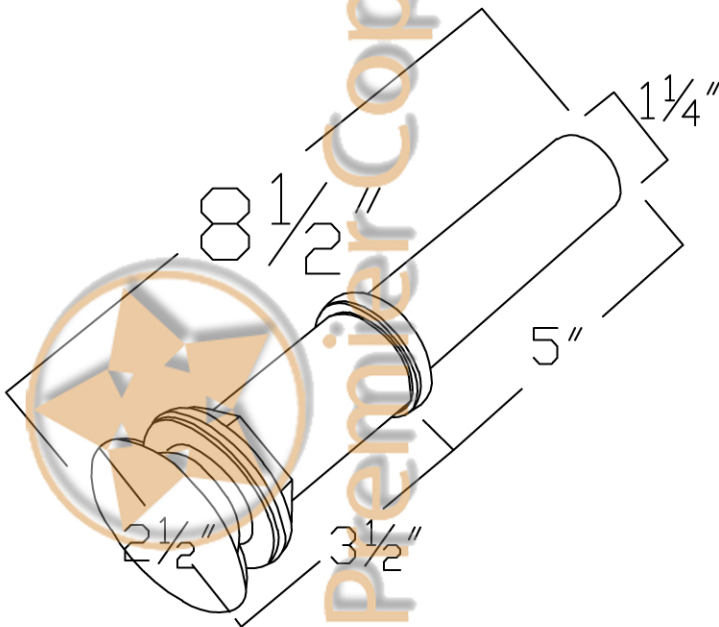
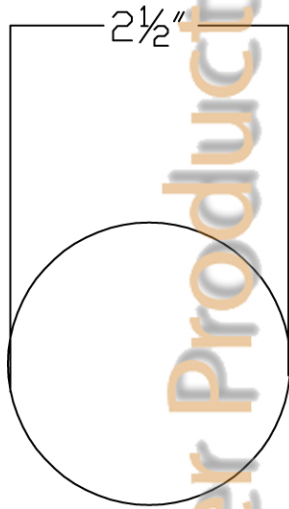
Model Number: B-VF01ORB
Finish: Oil Rubed Bronze





ITEM # D-208ORB

NON-OVERFLOW POP-UP DRAIN



Premier Copper Products

ITEM # C900-ORB COPPER SINK INSTALLATION SILICONE

SIZE: 4.5 OZ

COLOR: OIL RUBBED BRONZE



Premier Copper Products

ITEM # W900-WAX COPPER SINK WAX & CLEANER

SIZE: 20 OZ

Cleans - Protects- Preserves - Restores Lustre

Protects Surfaces with Natural Bee's Wax

No Wax Buildup..Ever - Needs No Buffing

Perfect For

Copper Sinks	Fine Furniture	Glass	Granite
Marble	Faucets	Mirrors	Chrome
Door Knobs	Kitchen Cabinets	Aluminum	Appliances
Shower Glass	Wrought Iron	Countertops	Leather

Directions

SHAKE WELL BEFORE USING

Spray surfaces lightly and wipe immediately with grain. Do not allow product to dry before wiping.

Helpful Hints

Before application make sure surface is cleaned and completely dry. Use a Clean Paper Towel for Best Results. Apply as often as needed. Product will not leave a wax buildup.

CAUTION: Contents under pressure. Do not use or store near heat or expose to temperatures above 120° F. Do not puncture or incinerate can. Contains petroleum distillate. Keep out of reach of children.

HMIS RATINGS:
Health 1, Flammability 1, Reactivity 1, Personal A

PREMIER BEE'S WAX SURFACE PROTECTANT



NO FINGERPRINTS

NO WAX BUILDUP EVER!

Makes Copper Sinks and Granite Tops
Acid Resistant

Won't Fingerprint Stainless Steel

Prevents Bathroom Mirrors from Fogging

Hard Water Protection

CAUTION
CONTENTS UNDER PRESSURE
KEEP OUT OF REACH OF CHILDREN
See Additional Cautions on Back Panel

NET WT. 17 OZ. (482g)