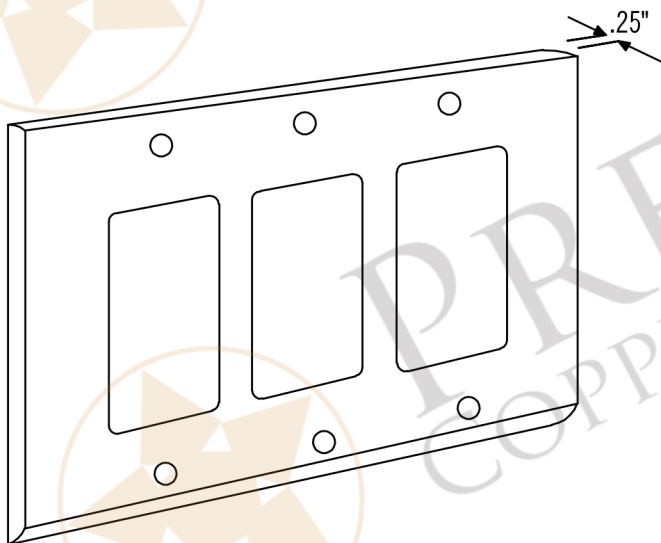
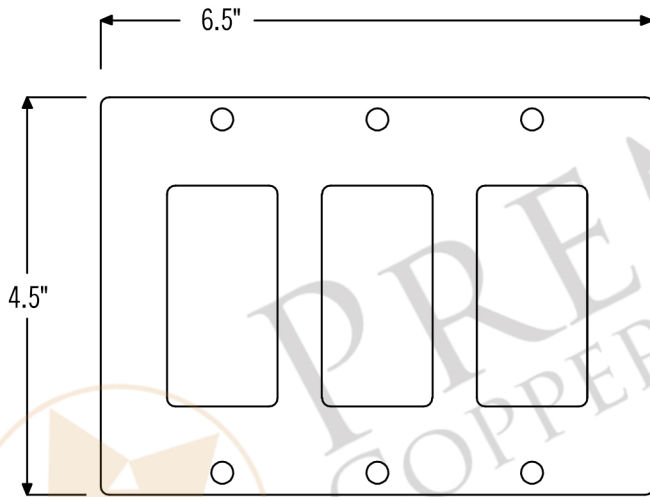




PREMIER
COPPER PRODUCTS

MODEL NUMBER: SR3

- * Description: Copper Triple Ground Fault/Rocker GFI Switch Plate Cover
- * Outer Dimension: 6.5" x 4.5"
- * Finish: Oil Rubbed Bronze



THIS PRODUCT IS HAND CRAFTED, SMALL VARIANCES IN COLOR AND SIZE MAY OCCUR.