

# TRU Faucets

BY PREMIER COPPER PRODUCTS

## MODEL NUMBER: B-WS01ORB

- \* Description: Widespread Bathroom Faucet
- \* Finish: Oil Rubbed Bronze
- \* Installation: Three Hole
- \* Overall Height: 9"
- \* Spout Reach: 6"
- \* Flow Rate: 1.2 GPM
- \* Prop 65 Compliant
- \* Certifications: ASME A112.18.1/CSA B125.1, NSF/ANSI 61, California Lead Plumbing Law, ADA Compliant



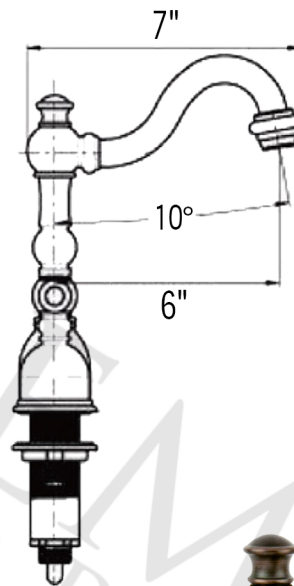
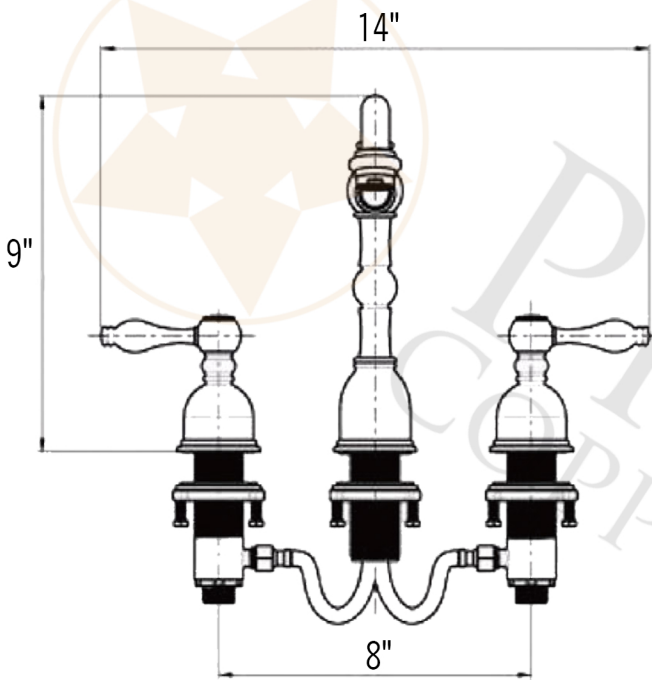
\* ORB: Oil Rubbed Bronze

### FEATURES:

- \* Solid Brass Construction
- \* Drip Free Ceramic Disc Cartridges
- \* 100% Factory Tested

### MODELS:

- \* B-WS01ORB-T Faucet w/ D-207ORB Non-Overflow Grid Drain
- \* B-WS01ORB-N Faucet w/ D-208ORB Non-Overflow Pop-Up Drain
- \* B-WS01ORB-O Faucet w/ D-209ORB Overflow Pop-Up Drain



# TRÜ Faucets

BY PREMIER COPPER PRODUCTS

## MODEL NUMBER: B-WS01ORB

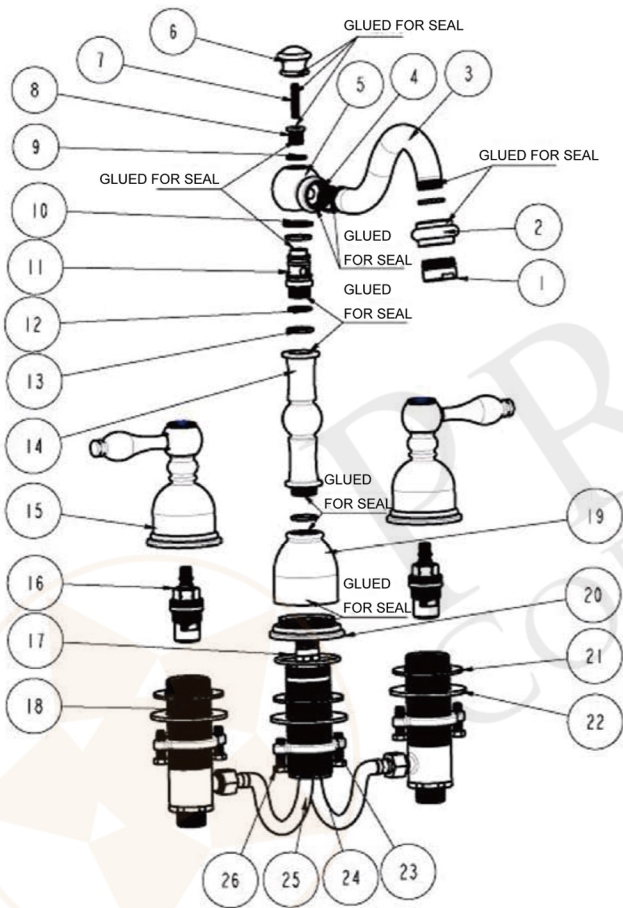
- \* Description: Widespread Bathroom Faucet
- \* Finish: Oil Rubbed Bronze
- \* Installation: Three Hole
- \* Overall Height: 9"
- \* Spout Reach: 6"
- \* Flow Rate: 1.2 GPM
- \* Prop 65 Compliant
- \* Certifications: ASME A112.18.1/CSA B125.1, NSF/ANSI 61, California Lead Plumbing Law, ADA Compliant



\* ORB: Oil Rubbed Bronze

### EXPLODED PARTS VIEW:

### PARTS LISTING:



26	2090165	HEXAGONAL MOUNTING SCREW
25	2860356	STAINLESS STEEL FLEXIBLE HOSE
24	2030022	CONTROL BODY
23	2120081	MOUNTING NUT
22	2180126	WASHER
21	2050167	WASHER
20	2010312	BASE SET
19	2110501	BODY CANOPY
18	2133083	CONTROL BODY
17	2050093	O-RING
16	2710101	FAST OPEN CARTRIDGE
15	2750409	HANDLE
14	2030032	CONNECT PIPE
13	2050068	O-RING
12	2050071	O-RING
11	2040232	CONNECTER
10	2180082	FRICTION WASHER
9	2050184	FRICTION WASHER
8	2040230	CONNECTER
7	2090273	SCREW
6	2110735	CAP
5	2040231	BODY CONNECTER
4	2050149	WASHER
3	2140186	SPOUT PIPE
2	2040233	CONNECTER
1	2700025	24 AERATOR