

# TRÜ Faucets

BY PREMIER COPPER PRODUCTS

## MODEL NUMBER: B-BV01ORB

- \* Description: Single Handle Bar / Vessel Faucet
- \* Finish: Oil Rubbed Bronze
- \* Installation: Single Hole
- \* Overall Height: 11"
- \* Spout Reach: 6"
- \* Flow Rate: 1.2 GPM
- \* Prop 65 Compliant
- \* Certifications: ASME A112.18.1/CSA B125.1, NSF/ANSI 61, California Lead Plumbing Law, ADA Compliant



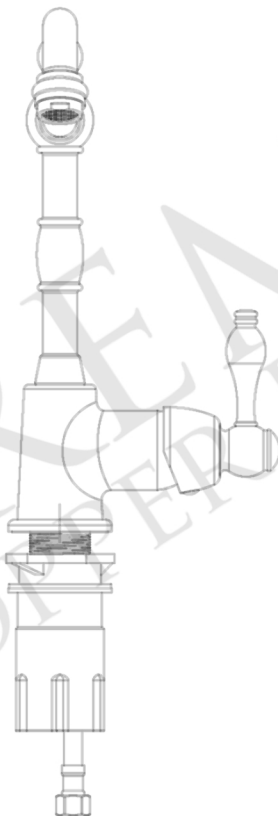
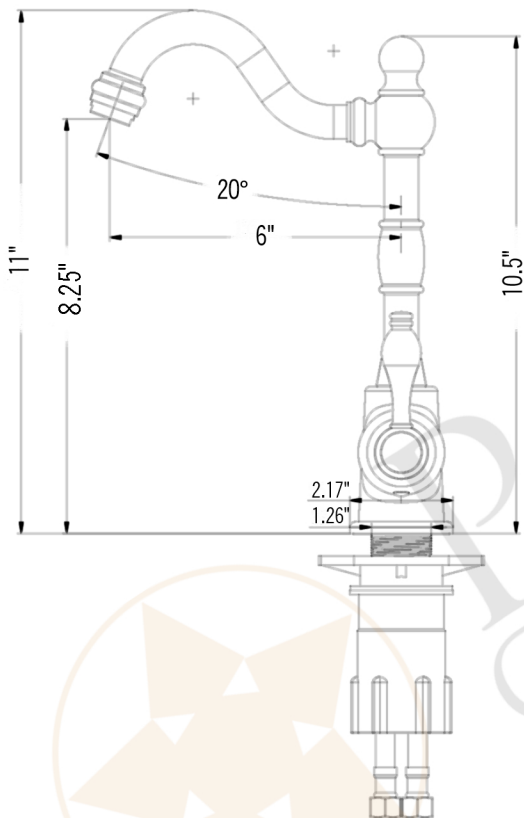
\* ORB: Oil Rubbed Bronze

### FEATURES:

- \* Solid Brass Construction
- \* Drip Free Ceramic Disc Cartridges
- \* 100% Factory Tested

### MODELS:

- \* B-BV01ORB-G Faucet w/ D-130ORB Garbage Disposal Drain
- \* B-BV01ORB-D Faucet w/ D-132ORB Strainer Drain
- \* B-BV01ORB-B Faucet w/ D-133ORB Bar Strainer Drain
- \* B-BV01ORB-N Faucet w/ D-208ORB Non-Overflow Pop-up Drain
- \* B-BV01ORB-T Faucet w/ D-207ORB Tear Drop Grid Drain



# TRÜ Faucets

BY PREMIER COPPER PRODUCTS

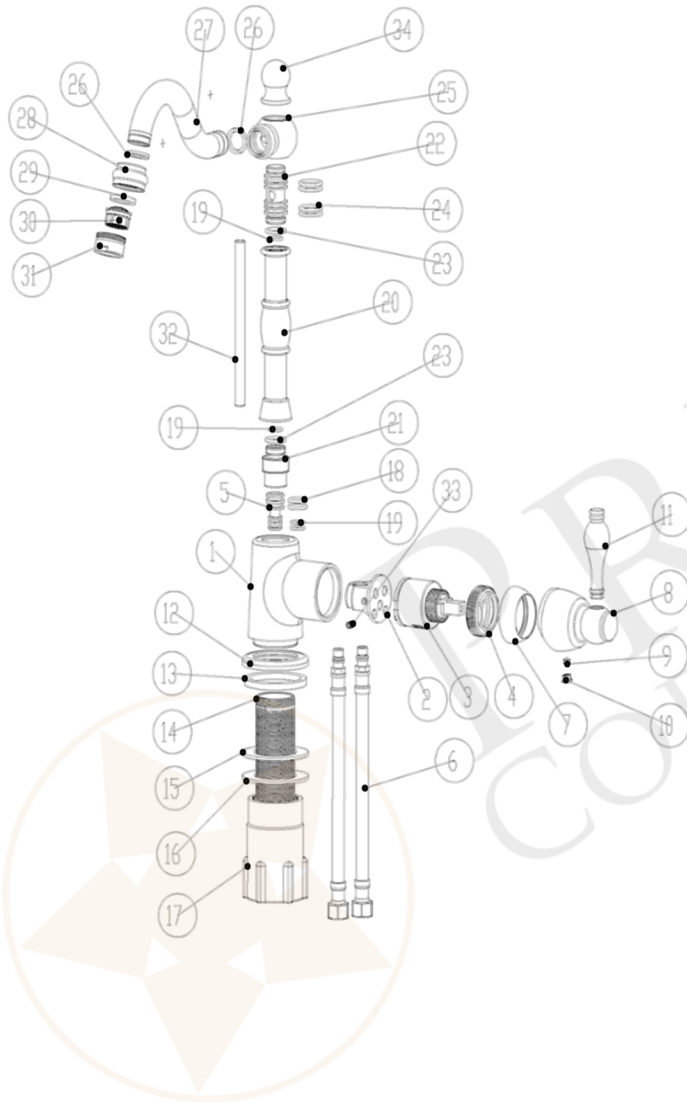
## MODEL NUMBER: B-BV01ORB

- \* Description: Single Handle Bar / Vessel Faucet
- \* Finish: Oil Rubbed Bronze
- \* Installation: Single Hole
- \* Overall Height: 11"
- \* Spout Reach: 6"
- \* Flow Rate: 1.2 GPM
- \* Prop 65 Compliant
- \* Certifications: ASME A112.18.1/CSA B125.1, NSF/ANSI 61, California Lead Plumbing Law, ADA Compliant



\* ORB: Oil Rubbed Bronze

### EXPLODED PARTS VIEW:



### PARTS LISTING:

|     |          |                         |     |             |
|-----|----------|-------------------------|-----|-------------|
| 34  | 11071XX  | Decorative Head         | 1   | BRASS       |
| 33  | 0901100  | Inner Hex Locking Screw | 1   | SUS304      |
| 32  | N0303300 | Copper Tube             | 1   | BRASS       |
| 31  | 15002XX  | Spout Body              | 1   | BRASS       |
| 30  | N0600998 | Aerator                 | 1   | PLASTIC     |
| 29  | N0550200 | Washer                  | 1   | N7118F      |
| 28  | N04162XX | Spout                   | 1   | BRASS       |
| 27  | N14115XX | Spout Pipe              | 1   | BRASS       |
| 26  | N0550300 | Washer                  | 2   | N7118F      |
| 25  | X04001XX | Swivel Head             | 1   | BRASS       |
| 24  | N0501300 | O-ring                  | 4   | N7118F      |
| 23  | N0500200 | O-ring                  | 2   | N7118F      |
| 22  | X0416500 | Swivel Joint            | 1   | BRASS       |
| 21  | X0416800 | Joint                   | 1   | BRASS       |
| 20  | 03199XX  | Joint Pipe              | 1   | BRASS       |
| 19  | N0503000 | O-ring                  | 4   | N7118F      |
| 18  | N0504600 | O-ring                  | 2   | N7118F      |
| 17  | 1200213  | Lock Nut                | 1   | BRASS+PP    |
| 16  | 1801210  | Steel Gasket            | 1   | Q235        |
| 15  | 0550500  | Washer                  | 1   | NBR         |
| 14  | 0300800  | Thread Pipe             | 1   | SUS201      |
| 13  | 0551400  | Washer                  | 1   | NBR         |
| 12  | 16110XX  | Gasket                  | 1   | BRASS       |
| 11  | 01109XX  | Handle Lever            | 1   | BRASS       |
| 10  | 10002XX  | Handle Screw Cover      | 1   | ABS         |
| 9   | 0902800  | Inner Hex Locking Screw | 1   | SUS304      |
| 8   | 01108XX  | Handle                  | 1   | BRASS       |
| 7   | 11033XX  | Canopy                  | 1   | BRASS       |
| 6   | N8601400 | SS Flex                 | 2   | COMBINATION |
| 5   | X0416900 | Joint                   | 1   | BRASS       |
| 4   | 1100200  | Cartridge Lock Nut      | 1   | BRASS       |
| 3   | N7130798 | Cartridge               | 1   | CERAMIC     |
| 2   | X1611300 | Cartridge Base          | 1   | BRASS       |
| 1   | 08087XX  | Body                    | 1   | BRASS       |
| NO. | MODEL    | PART NAME               | QTY | MATERIAL    |