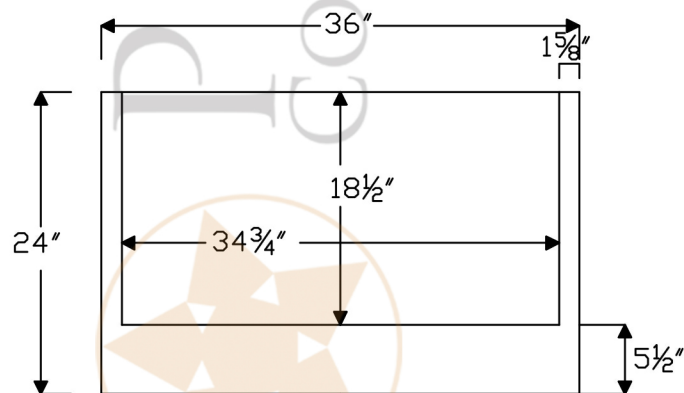
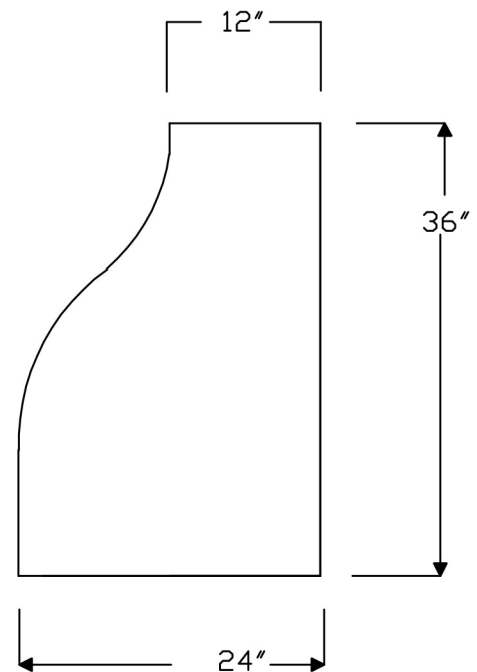
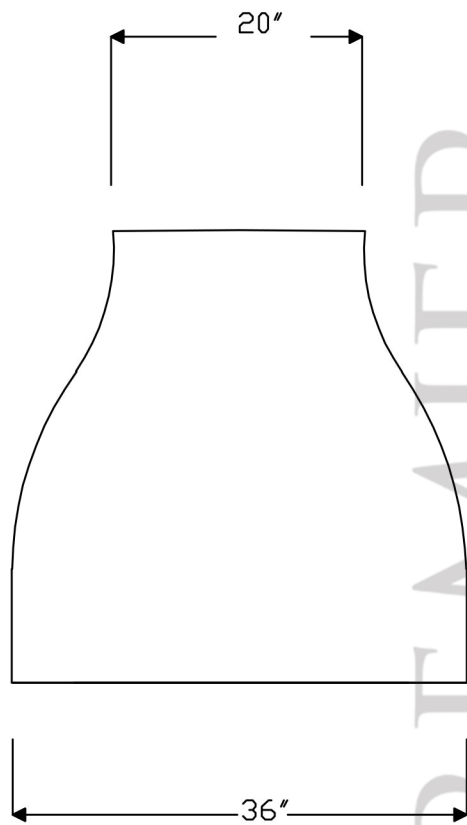




- * Description: Hand Hammered Copper Wall Mounted Campana Range Hood 1065 CFM Stainless Steel
- * Outer Dimensions: 36" X 24" X 36"
- * Top Dimensions: 20" X 12"
- * Bottom Dimensions: 36" X 24"
- * Finish: Oil Rubbed Bronze

* ORB: Oil Rubbed Bronze



THIS PRODUCTS IS HAND CRAFTED, SMALL VARIANCES IN COLOR AND SIZE MAY OCCUR.
DO NOT MAKE ANY INSTALLATION CUTS UNTIL YOU RECEIVE YOUR ITEM(S).



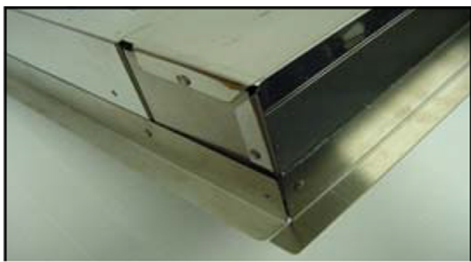
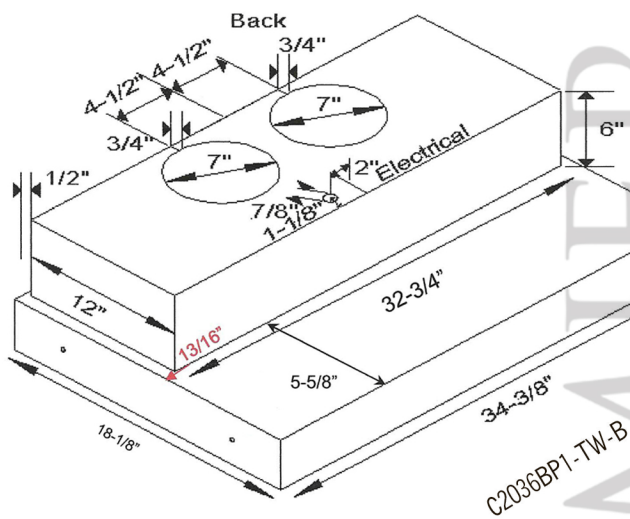
PREMIER
COPPER PRODUCTS

MODEL NUMBER: HV-CAMPANA36-C2036BP1-TW-B

- * Description: Hand Hammered Copper Wall Mounted Campana Range Hood 1065 CFM Stainless Steel
- * Insert Model Number: C2036BP1-TW-B
- * Insert Description: 1065 CFM, 1.5 -4.6 Sones, Variable Controls, Twin Centrifugal Blowers, Baffle Filters, Heat Controlled Thermostat
- * Insert Duct: **Two 7" Round Vent Opening**
- * Insert Lighting: Front Panel 50 Watt Halogen Spots (PAR 20), *Bulbs Not Included / Lights Located on Front Panel*
- * Filter: Baffle Filter
- * Insert Finish: Stainless Steel

Page 2 of 2

Powered Liner Specifications



3/4" Flange for perfect fit.



SEVEN YEAR, IN HOME, LIMITED WARRANTY ON INSERT, THE BEST IN THE INDUSTRY!

Please visit ImperialHoods.com to view the details on their warranty

All dimensions on inserts are (+/-) 1/8" and are subject to change. Drawings are not to scale.