



Description

- Deluxe Chrome Finish
- 1/2" IPS Connections
- Widespread Lavatory Faucet
- Two Handle Hot & Cold Control
- Quality Brass Construction
- Wear Resistant Ceramic Disc Technology

Compliance

- Designed to comply with requirements of ASME A112.18.1
- Meets low lead requirements of NSF Standard-61, Section-9
- Complies with the requirements of the UPC (Uniform Plumbing Code)
- Complies with ADA (Americans with Disabilities Act)
- Meets or exceeds CSA B125

Listings

- IAPMO (International Association of Plumbing & Mechanical Officials)
- cUPC (Uniform Plumbing Code & Canadian Uniform Plumbing Code)

Warranty

- Limited Lifetime Warranty
Refer to Premier Faucet warranty program for further details and restrictions.

Charlestown™



Model 120341

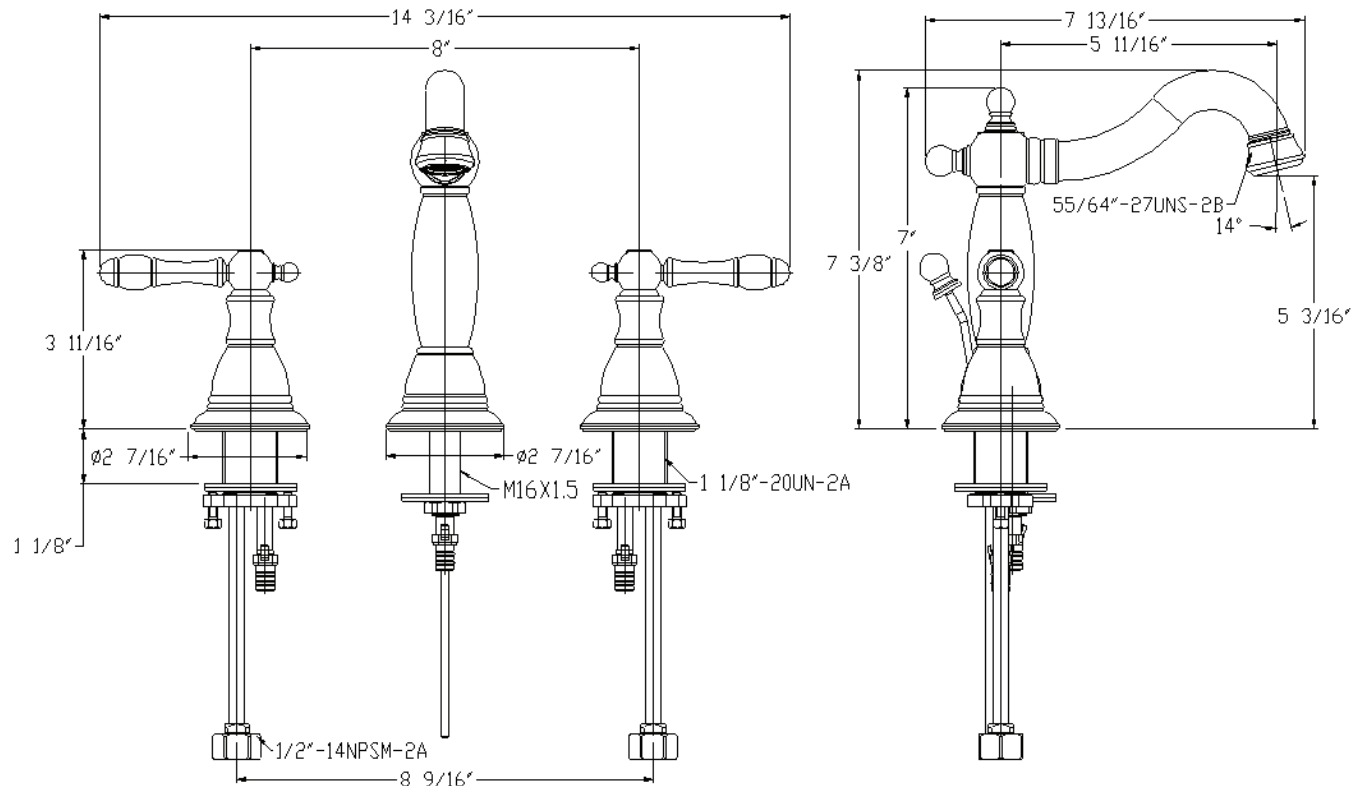
Twin Lever Handle Widespread Lavatory Faucet

Chrome Plated Finish

Ceramic Cartridge

With Metal Pop-up

1/2" IPS Connection



For additional information contact Premier Faucet at 866-745-4010 or visit our website at www.premierfaucet.com