



Model 120162

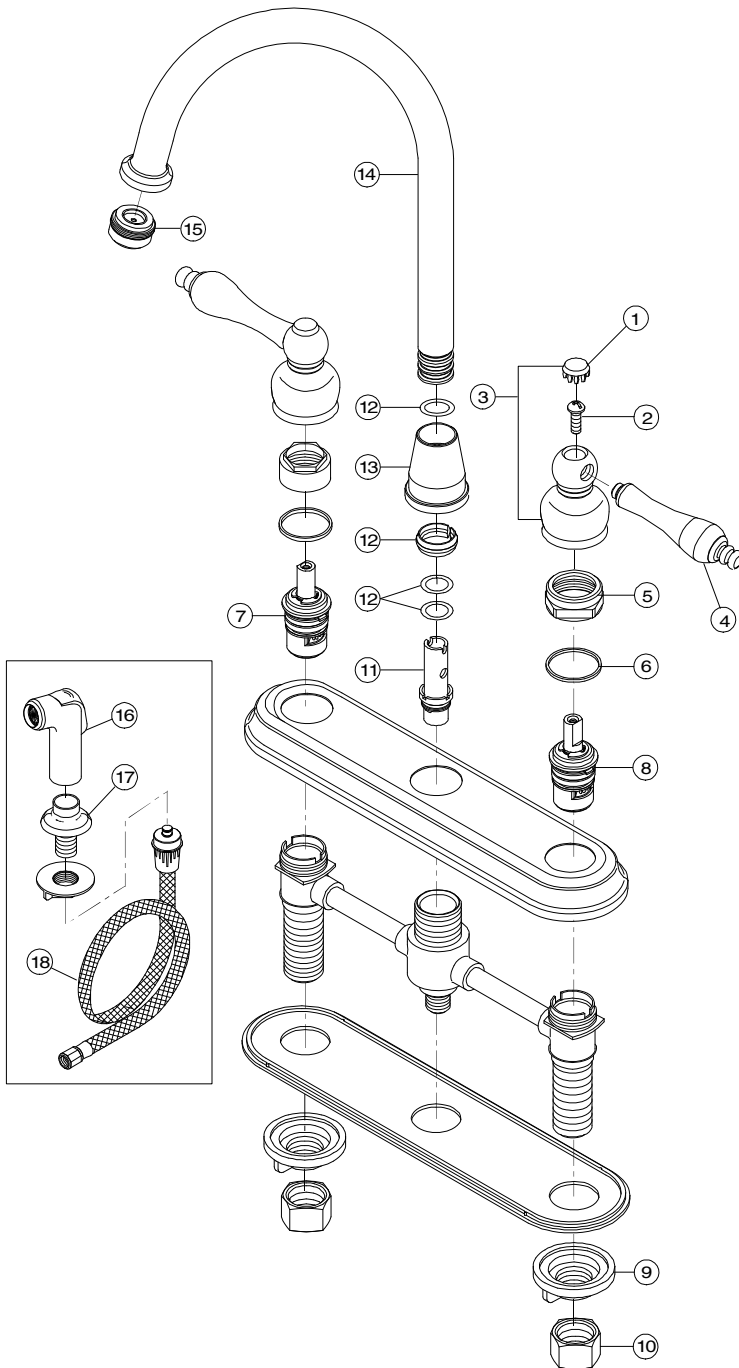
Twin Lever Handle High-Rise Kitchen Faucet
Chrome Plated Finish
With Spray
1/2" IPS Connection

Wellington™



Model 120162

Refer to Premier Faucet Parts List Sheet for part numbers and ordering information.





Model 120162

Twin Lever Handle High-Rise Kitchen Faucet
Chrome Plated Finish
With Spray
1/2" IPS Connection

Wellington™



Refer to Premier Faucet Parts Schematic Sheet for parts diagram.

INDEX	DESCRIPTION	MATERIAL	QTY	PART NO
1	SCREW COVER H & C SET	BRASS	1	994249
2	HANDLE SCREW	BRASS	2	994146
3	METAL HANDLE ASSY	BRASS	2	994215
4	PORCELAIN INSERT	PORCELAIN	2	994226
5	BONNET NUT	BRASS	2	994321
6	CAP GASKET	POM	2	994515
7	CARTRIDGE - HOT	CERAMIC	1	133508
8	CARTRIDGE - COLD	CERAMIC	1	133509
9	LOCK NUT	PLASTIC	2	133836
10	COUPLING NUT	BRASS	2	133838
11	SPRAY DIVERTER	PLASTIC	1	994648
12	GASKET KIT	RUBBER	1	994532
13	SPOUT COLLAR	BRASS	1	994582
14	SPOUT	BRASS	1	994472
15	AERATOR	BRASS	1	144219
16	SPRAYER	PLASTIC	1	994300
17	SPRAY CRADLE	PLASTIC	1	994290
18	SPRAY HOSE	PVC	1	153185

