



Model 120633

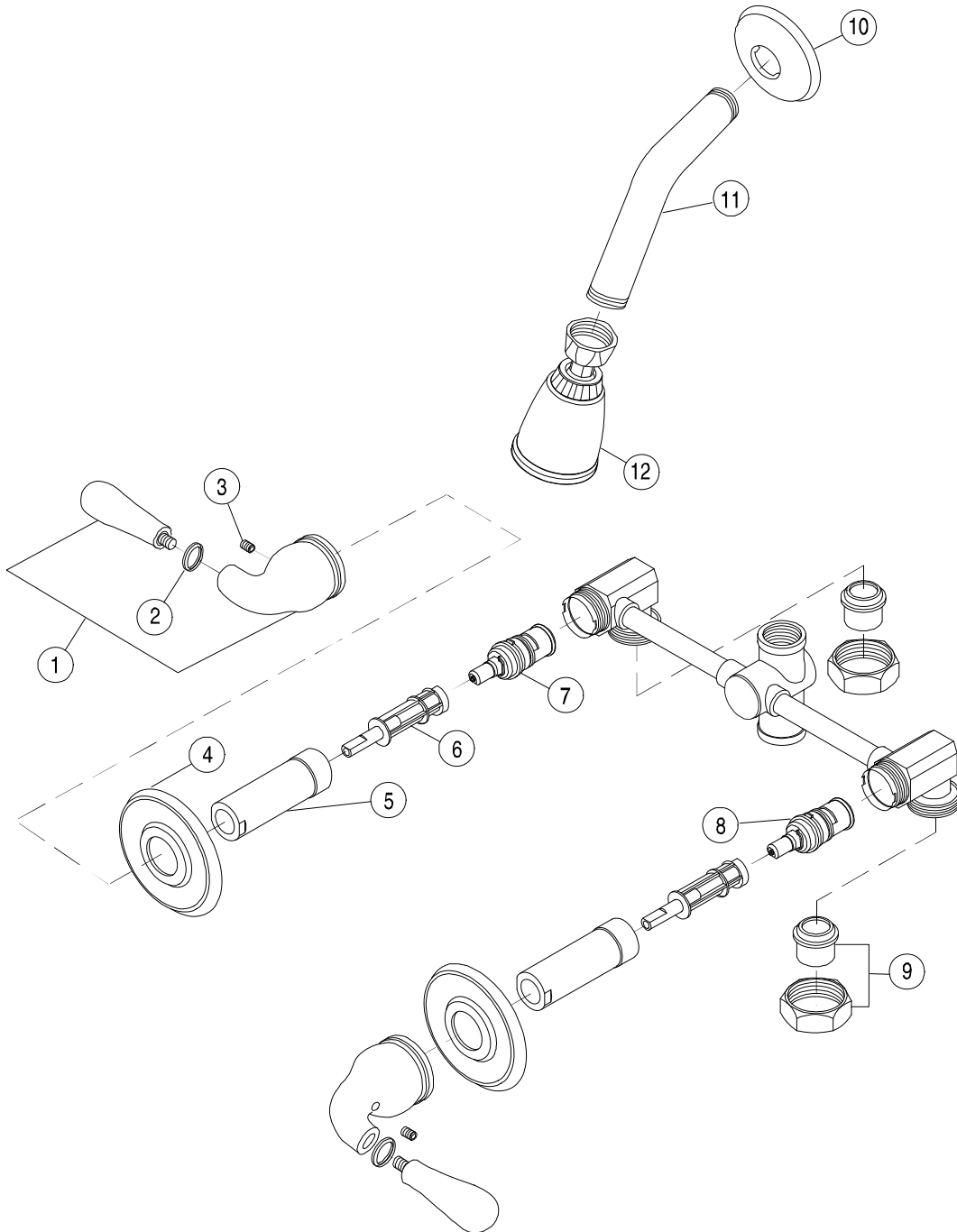
Twin Lever Handle Shower Only Set
Chrome Plated Finish
1/2" IPS Connection

Sanibel™



Model 120633

Refer to Premier Faucet Parts List Sheet for part numbers and ordering information.



For additional information contact Premier Faucet at 866-745-4010 or visit our website at www.premierfaucet.com

**Model 120633**

Twin Lever Handle Shower Only Set
Chrome Plated Finish
1/2" IPS Connection

Sanibel™



Model 120633

Refer to Premier Faucet Parts Schematic Sheet for parts diagram.

INDEX	DESCRIPTION	MATERIAL	QTY	PART NO
1	HANDLE ASSEMBLY	METAL	2	994173
2	INDEX RINGS	PLASTIC	2	994207
3	HANDLE SCREW	STAINLESS STEEL	2	994197
4	ESCUTCHEON	BRASS	2	994407
5	ESCUTCHEON TUBE	BRASS	2	994436
6	HANDLE EXTENDER	PLASTIC	2	133086
7	CARTRIDGE - HOT	CERAMIC	1	133508
8	CARTRIDGE - COLD	CERAMIC	1	133509
9	UNION ASSEMBLY	BRASS	2	994625
10	ESCUTCHEON	BRASS	1	ESC1
11	SHOWER ARM	BRASS	1	79101
12	SHOWER HEAD	BRASS	1	7915