

1800 COLLECTION PREFERRED ADA SEATS

FUNCTIONAL STYLE

sales@preferredbathinc.com

www.preferredbathinc.com

(336) 904-6248



WARM TO THE TOUCH

- WARM TO THE TOUCH NYLON TOP
- ANTIMICROBIAL PER ISO22196:2011
- DURABLE ANTI-CORROSIVE 304 STAINLESS STEEL FRAME CONSTRUCTION
- MEETS AND EXCEEDS ADA 2010 ADAAG REQUIREMENTS AND 2017 ANSI

STANDARDS

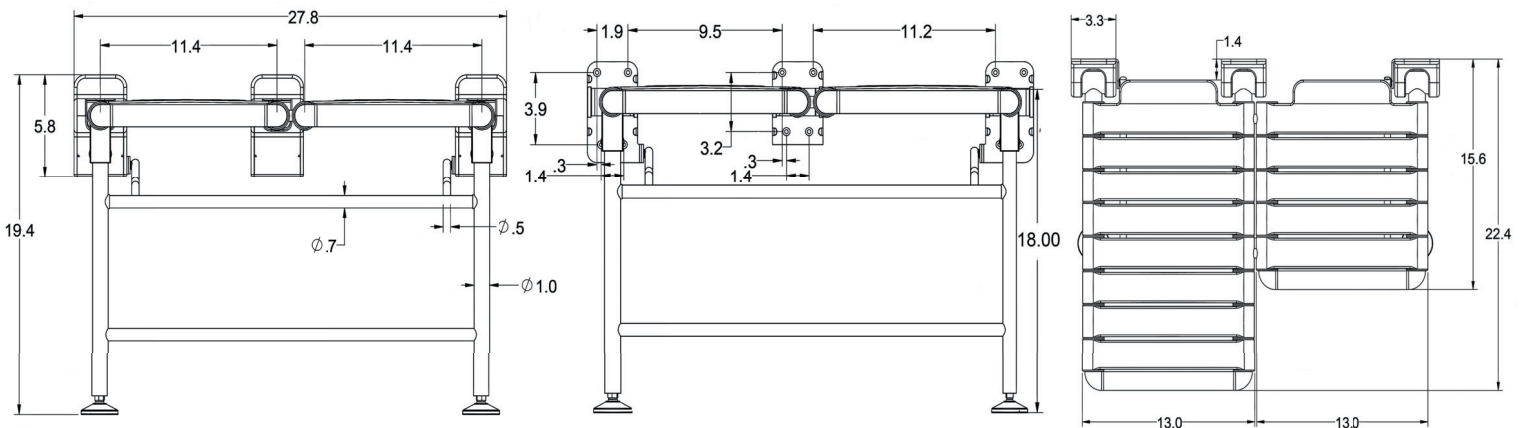
- LOAD BEARING CAPACITY OF 500 LBS
- ADJUSTABLE AND FLEXIBLE FEET FOR A SECURE AND STABLE SEAT

HARDWARE INCLUDED

- PRE-ASSEMBLED RIGHT-HAND SHOWER SEAT - 1
- DECORATIVE FLANGES - 3
- MOUNTING TEMPLATE - 1
- STAINLESS STEEL MOUNTING SCREWS - 12



MULTIPLE COLORS AVAILABLE



CARE AND CLEANING:

When cleaning wipe the fixture down with a damp soft cloth to prevent any mineral build-up. Do not use any abrasive cleaning products, aggressive chemical cleaning products, abrasive cleaning pads, or harsh/abrasive polishes on this fixture. This will damage the finish and the smooth comfortable seating surface of the product. The use of such products will void the warranty.

Do not allow any personal hygiene products such as soap, shampoo, conditioner to stay on the fixture for any extended period of time. If this should occur please rinse off with water or wipe off with a damp cloth. The potential build up that occurs from these products can cause premature wear and may also diminish the beauty and durability of its finish.

INSTALLATION:

Use provided mounting template to mark the proper hole placement. Use provided stainless steel mounting screws and mount to wall. Once mounted install nylon decorative cover flanges and adjust the feet.

WOOD BLOCKING IS REQUIRED FOR COMMERCIAL APPLICATION AND SHOULD GENEROUSLY EXTEND PAST THE HEIGHT AND WIDTH OF THE PRODUCT



Limited Warranty:

Preferred Bath Accessories Inc. warrants to the purchaser that the product will be free from defects in material and workmanship. If the product does not comply with this warranty, Preferred Bath Accessories Inc. will repair or replace the product or, at Preferred Bath Accessories Inc's. option, refund the purchase price. The limited warranty period is for the lifetime of the product. Limitations on the Warranty: The warranty does not cover, normal wear and tear, product abuse, neglect, improper installation or maintenance. Purchaser Requirements: If this product does not meet Preferred Bath Accessories Inc's. warranty, return the product (postage prepaid) to the place of purchase with proof of purchase and a written claim briefly describing the defect. You may be required to provide other information or evidence of the defect.