

### ❖ 35010-30.001 30" SINGLE BOWL SINK

- Fine Fire Clay construction
- Reversible series Fire Clay sink with smooth front apron one side and detailed transitional front apron design on opposite side
- Suitable for under-counter, flush countertop, or above-counter custom installation
- Fully glazed on all four sides
- 3-1/2" center drain
- Matching bottom rack included
- Commercial grade drain included
- Made in Turkey



#### Nominal Overall Dimensions:

30" x 17-15/16" x 10"  
(762 x 455 x 254mm)

#### Bowl Inside Dimensions:

28-1/2" (724mm) wide  
16-1/2" (419mm) front to back  
8-1/2" (216mm) depth

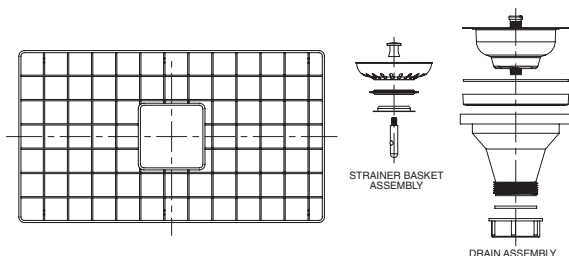
#### Sink Colors:



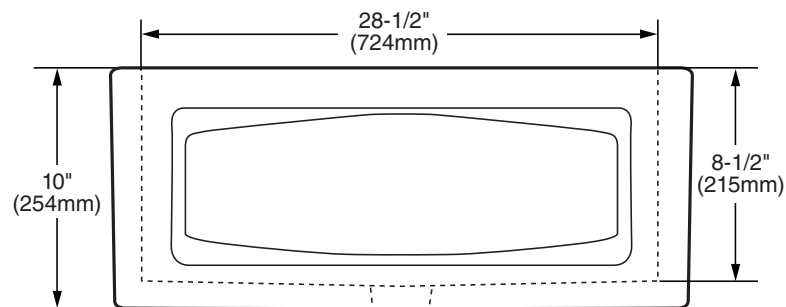
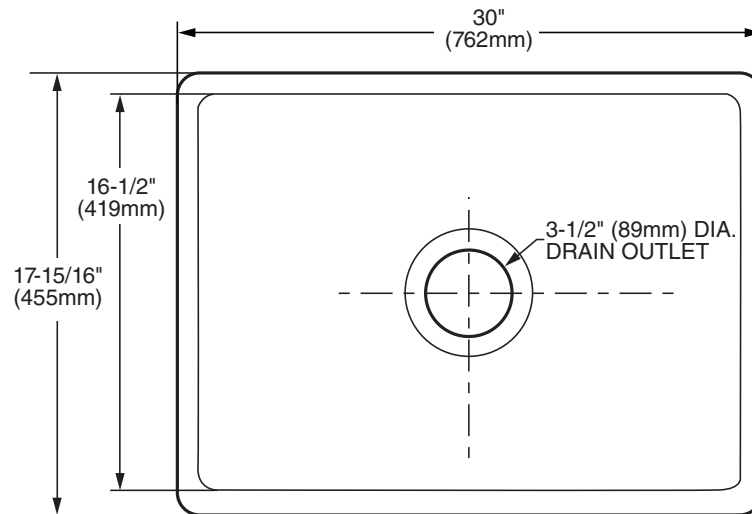
White  
001

#### Included Accessories:

- ❖ 7301840-203.0020A Stainless Steel Bottom Rack and Strainer Kit



ROUGH IN DIAGRAM SHOWN  
ON REVERSE SIDE



**NOTES:**

REFER TO INSTALLATION INSTRUCTIONS SUPPLIED WITH KITCHEN SINK FOR UNDERMOUNT, COUNTERTOP OR ABOVE COUNTER CUSTOM INSTALLATIONS. CHINAWARE DIMENSIONS CAN VARY. PLEASE USE THE ACTUAL SIZE OF THE SINK THAT YOU WILL BE INSTALLING IN ORDER TO DETERMINE THE CUTOUT DIMENSIONS OF YOUR COUNTERTOP.

**CAUTION:** SINK IS HEAVY! INSTALLER MUST PROVIDE ADEQUATE REINFORCEMENT FOR ALL LOAD-BEARING SUPPORTS IN ACCORDANCE WITH INSTALLATION INSTRUCTIONS SUPPLIED WITH KITCHEN SINK. FITTINGS NOT INCLUDED AND MUST BE ORDERED SEPARATELY.

**IMPORTANT:** Dimensions of fixtures are nominal and may vary within the range of tolerances established by applicable ASME standards. These measurements are subject to change or cancellation. No responsibility is assumed for use of superseded or voided pages.

**To Be Specified:**

- Accommodates any standard 3-1/2" outlet drain

**Compliance Certifications:**

- Meets or Exceeds ASME A112.19.2 / CSA B45.1