

INSTALLATION INSTRUCTIONS CARE AND MAINTENANCE

Farm Kitchen Sinks

- 20" Sink model #35010-20
- 24" Sink model #35010-24
- 30" Sink model #35010-30
- 33" Sink model #35010-33

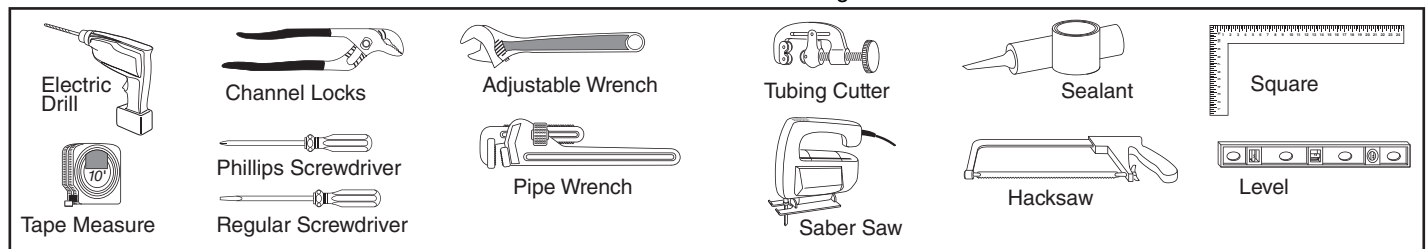
Thank you for selecting Porcher. To ensure this product is installed properly, please read these instructions carefully before you begin. (Certain installations may require professional help.) Also be sure your installation conforms to local codes.

▲ CAUTION: PRODUCT IS FRAGILE. TO AVOID BREAKAGE AND POSSIBLE INJURY HANDLE WITH CARE!

NOTE: Pictures may not exactly define contour of china and components.

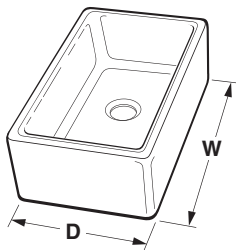
RECOMMENDED TOOLS AND MATERIALS

Most of the procedures require the use of common tools and materials, which are available from hardware and plumbing, supply stores. It is essential that the tools and materials be on hand before work is begun.



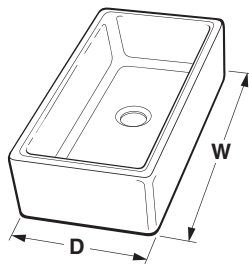
SINK MODELS

20" Model
No. 35010-20



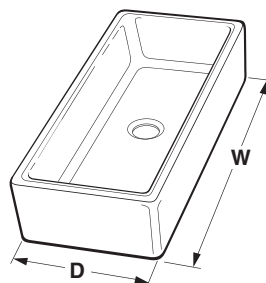
D: 19-13/16" (504mm)
W: 17-15/16" (455mm)

24" Model
No. 35010-24



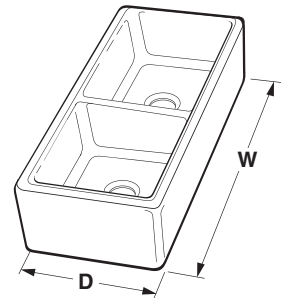
D: 24" (610mm)
W: 17-15/16" (455mm)

30" Model
No. 35010-30



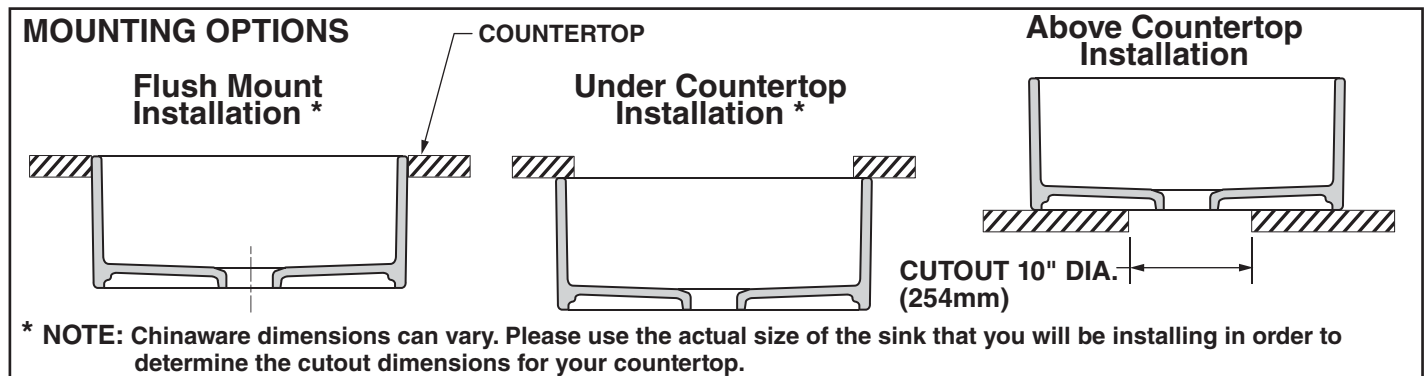
D: 30" (762mm)
W: 17-15/16" (455mm)

33" Model
No. 35010-33



D: 33-5/16" (846mm)
W: 17-15/16" (455mm)

These sinks accommodate standard 3-1/2" (89mm) sink outlet drain.



REPLACEMENT USE

When replacing an original unit be sure to shut off water supply before removing the lavatory or disconnecting water supply lines and drain fittings. Original supplies and shutoff valves should be replaced on installation.

SAVE FOR FUTURE USE

INSTALLATION PROCEDURES

Typical installation includes cabinet support preparation, installation of faucet and pop-up drain, connection of flexible water supply lines, attachment of sink to cabinet, sizing and installation of drain, supplies to house water system.

Sink Mounting Provisions – Whether the sink is used for replacement or new installation, the cabinet area beneath the sink must be reinforced to provide sufficient support. The wood support frame for the sink must support 400 pounds (approximate weight of sink when full and a garbage disposal installed).

CABINET SUPPORT PREPERATION

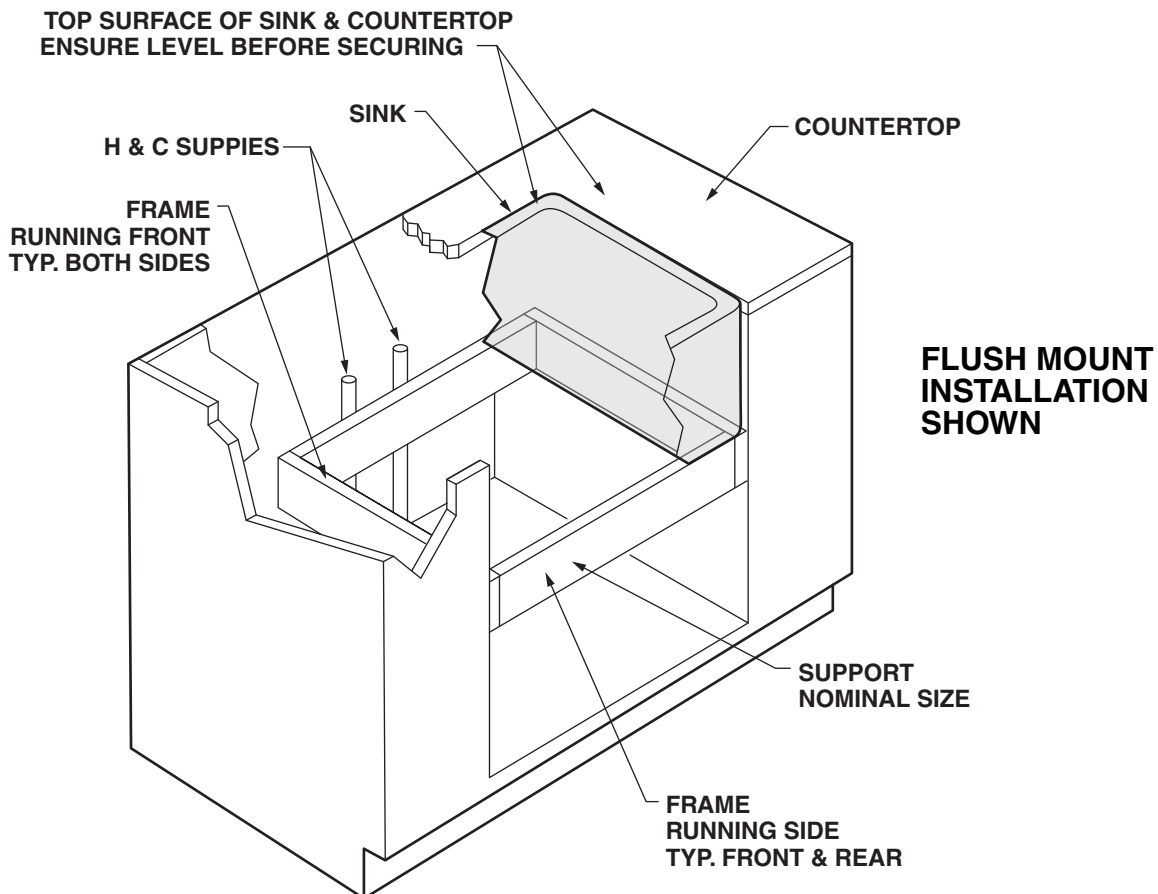
Important Note:

This installation assumes the use of a custom cabinet and countertop design. It is not designed for use with standard base cabinets or standard countertops. Installation must be performed by a professional cabinet maker and shall be in accordance with all local plumbing and building codes requirements.

FLUSH MOUNT or UNDER COUNTERTOP INSTALLATIONS (See page 7 for above counter top installation)

1 DETERMINE MOUNTING OPTIONS

Determine if the sink will be flush mounted or under countertop mounted. **Next measure the actual size of the sink being installed to determine cabinet opening dimensions and support frame location.** The cabinet opening should equal the maximum dimensions of the sink to ensure a minimum gap between the sink apron and the cabinet. Support frame location is determined by type of sink installation being performed.



2 SUPPORT FRAME

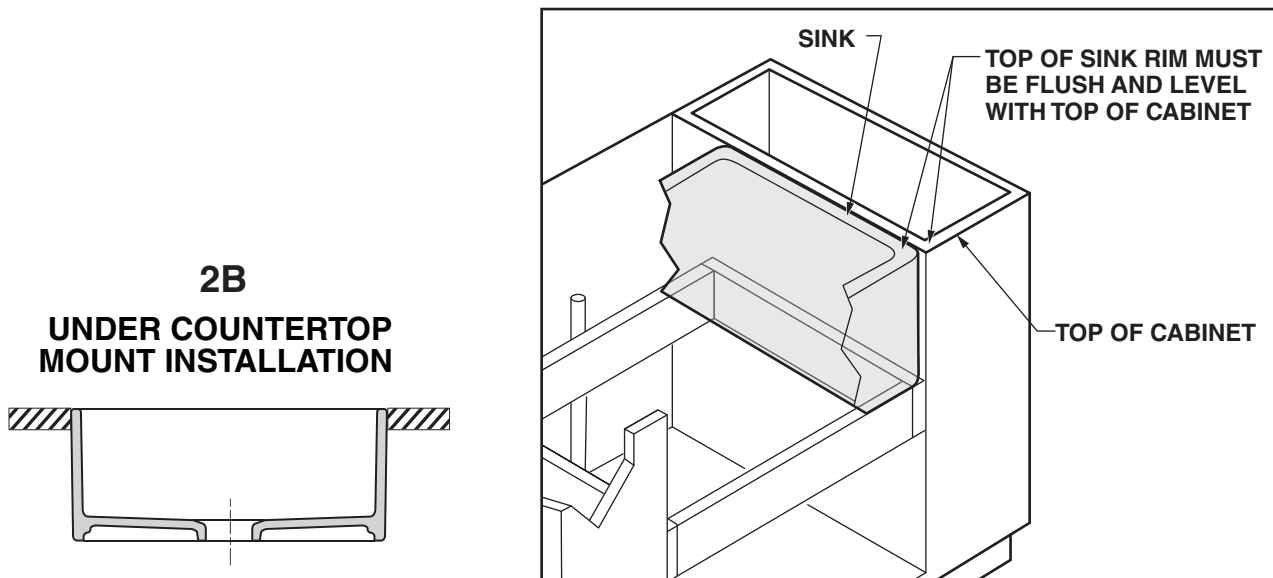
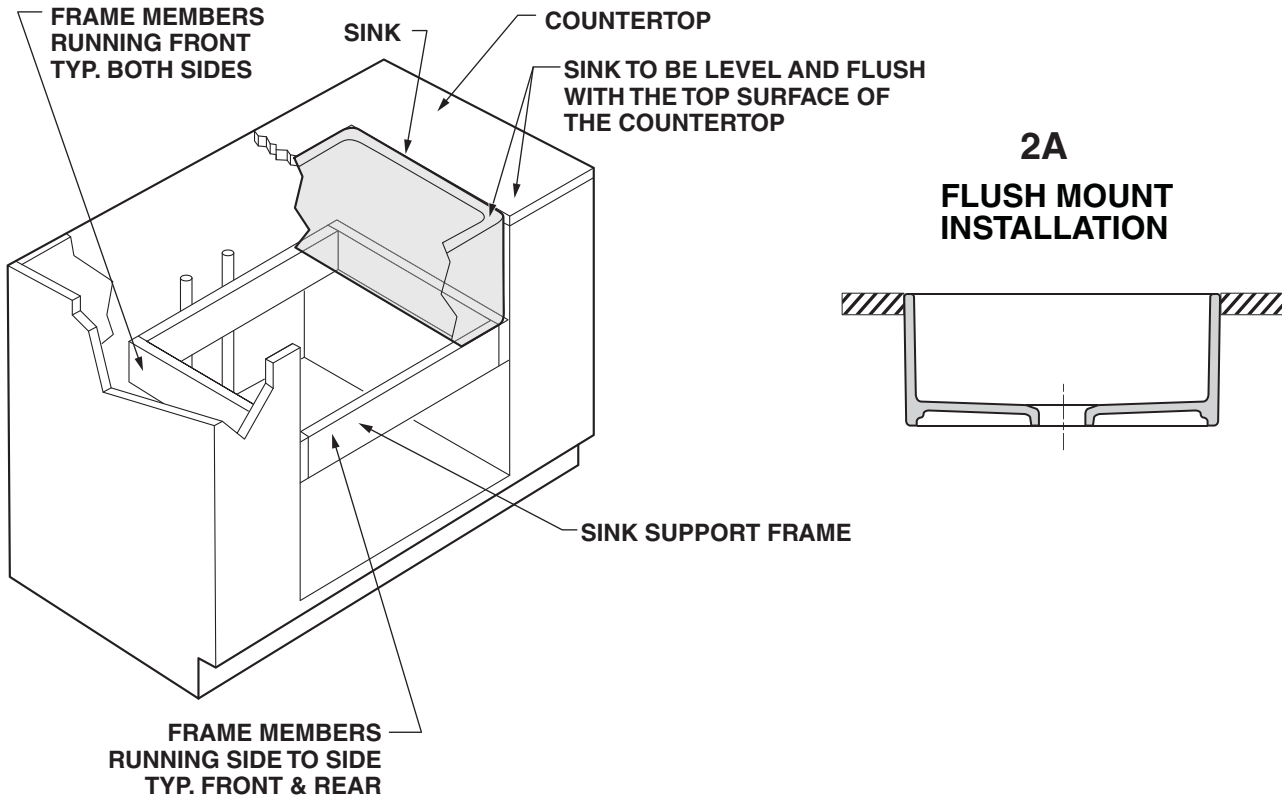
Construct a support frame to fit inside the cabinet opening. Ensure you provide proper clearance for faucet, water supply lines, drain assembly, garbage disposal mounting system and the structural parts of the cabinet.

Flush Mount Installation Note:

Ensure to install the support frame so that the top rim of the sink, (when placed within the frame), will be level and flush with the top surface of the countertop, (when countertop is installed). See diagram **2A** below.

Under Countertop Mount Installation Note:

Ensure to install the support frame so that the top rim of the sink (when placed within the frame) is level and flush with top surface of the cabinet. (Top of sink rim must be flush and level with top of cabinet in order to obtain proper contact with the underside of the countertop). See diagram **2B** below.

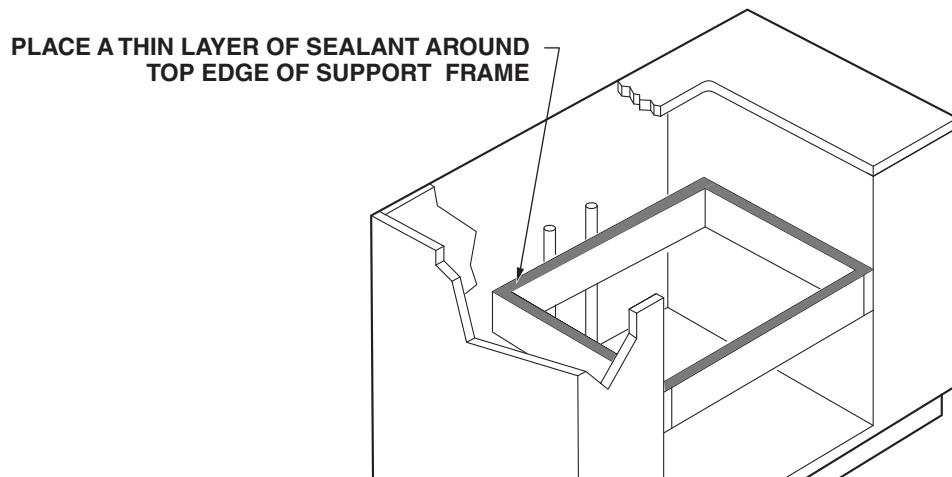


3 SINK INSTALLATION

**CAUTION: Sinks are extremely heavy.
For personal safety, always use extra personal for installation.**

STEP 1. Carefully set the sink within the support frame and position in center of cabinet opening. If flush mounted ensure that the sink top rim surface is level and flush with the countertop top surface, (when countertop is installed). If under countertop mounted ensure that the sink top rim is level and flush with cabinet top surface. Check clearance around sink apron and ensure sink is centered within cabinet opening. Ensure sink base is making proper contact with support frame. Adjust or shim as needed to obtain proper sink position and fit.

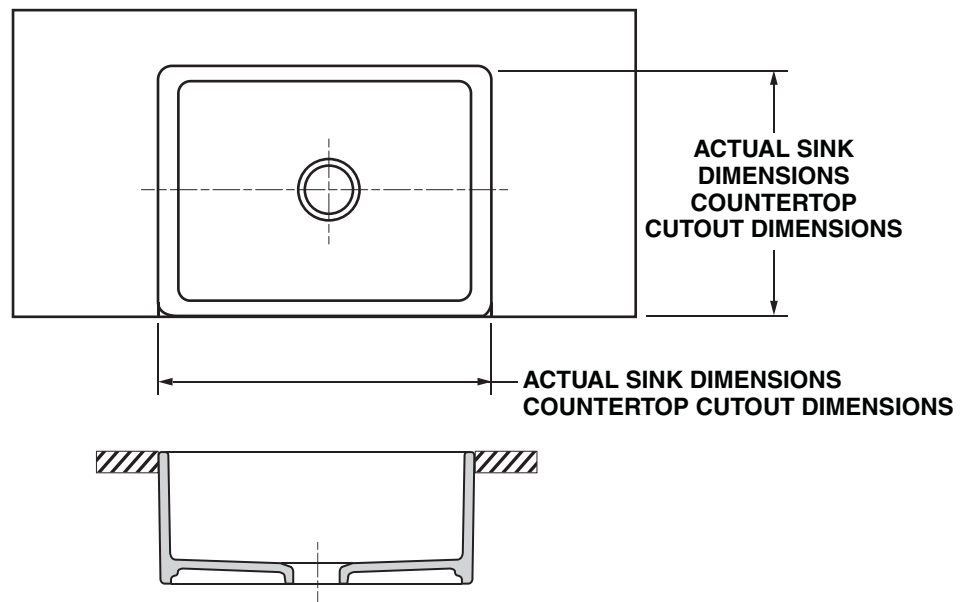
STEP 2. Carefully remove sink and place a thin layer of sealant around top edge of support frame where the sink and frame will make contact. Then replace sink back into position. See diagram below.



4A FLUSH MOUNT INSTALLATION

Using carpenter's square carefully measure and mark the location of the cutout opening in the countertop. Flush mount cutout opening is determined from the actual sink size. The cutout opening should equal the maximum dimensions of the sink to ensure a minimum gap between the sink and the countertop opening.

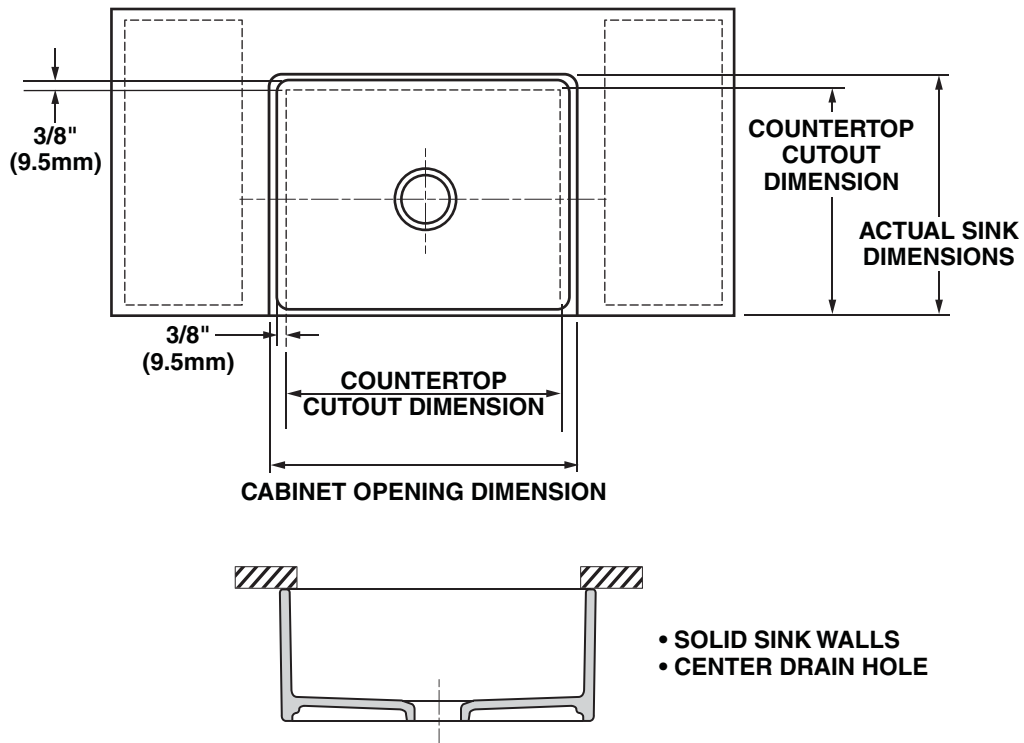
Note: Check dimensions on first page as a reference and measure the sink being installed.



4B UNDER COUNTERTOP INSTALLATION

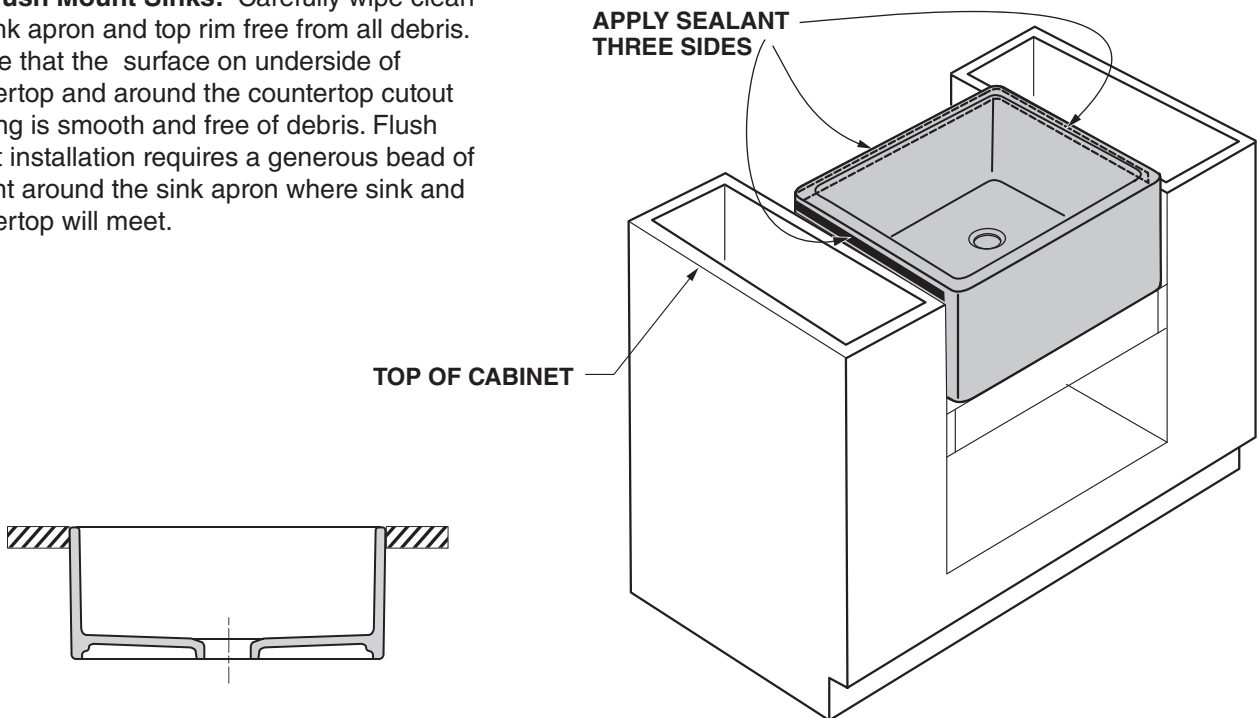
Under countertop mount cutout opening is determined by cabinet opening and should be $\frac{3}{8}$ " (9.5mm) smaller than the inner sides of sink and from back of sink apron. Carefully cut out the countertop opening, opening must be adequately finished and sealed to prevent damage from water absorption.

Note: Check dimensions on first page as a reference and measure the sink being installed.



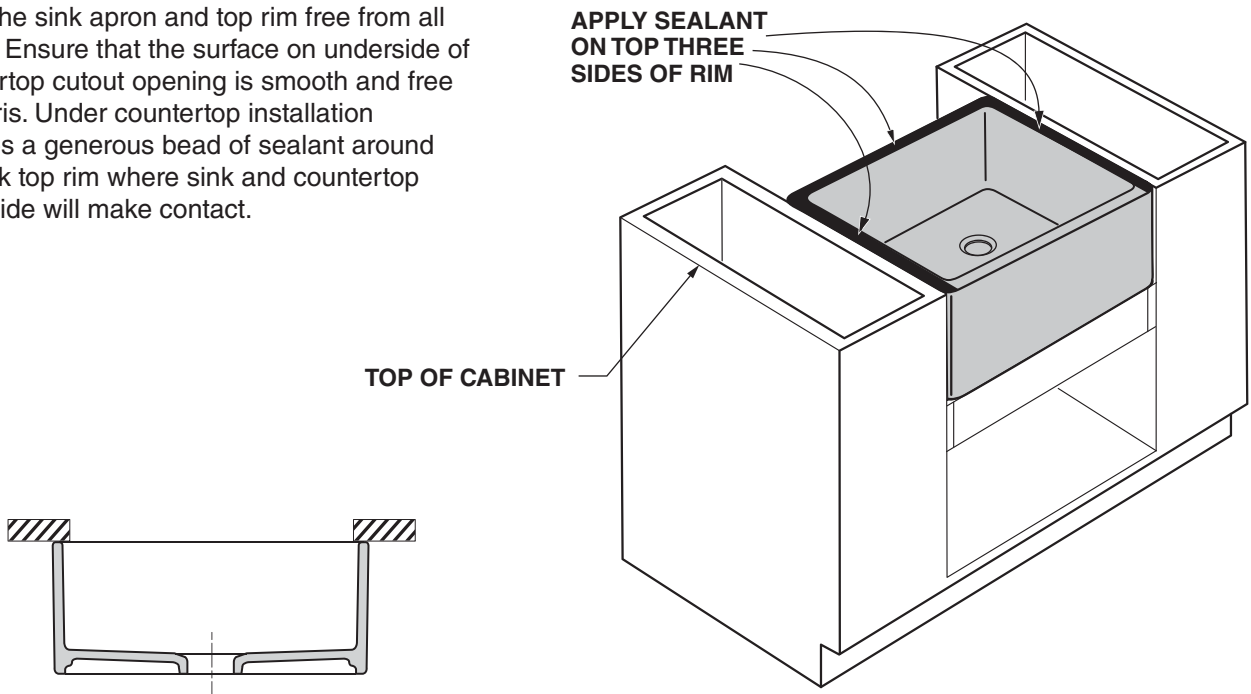
5A APPLY SEALANT

For Flush Mount Sinks: Carefully wipe clean the sink apron and top rim free from all debris. Ensure that the surface on underside of countertop and around the countertop cutout opening is smooth and free of debris. Flush mount installation requires a generous bead of sealant around the sink apron where sink and countertop will meet.



5B APPLY SEALANT

For Under Countertop Sinks: Carefully wipe clean the sink apron and top rim free from all debris. Ensure that the surface on underside of countertop cutout opening is smooth and free of debris. Under countertop installation requires a generous bead of sealant around the sink rim where sink and countertop underside will make contact.

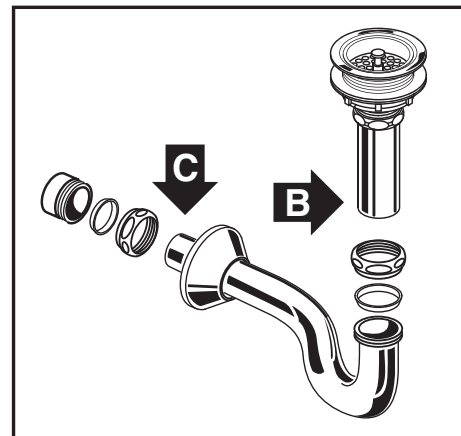


6 INSTALL COUNTERTOP

Carefully position and install the countertop. Ensure the sealant provides a complete seal between the sink and the countertop surface. Fill any voids and wipe excess away with soft damp cloth.

7 ASSEMBLE AND INSTALL P-TRAP AND DRAIN CONNECTIONS

Assemble and install P-trap drain connections in accordance with manufacturer's instructions. Connect trap to drain assembly hand tight to check alignment. It may be necessary to cut off part of the tailpiece (area "B") or part of the horizontal leg of the trap (area "C"). Secure joints for watertight assembly.



8 INSTALL FAUCET

Carefully locate and install faucet to countertop in accordance with manufacturer's instructions. Ensure you provide adequate clearance for supply lines and faucet operation.

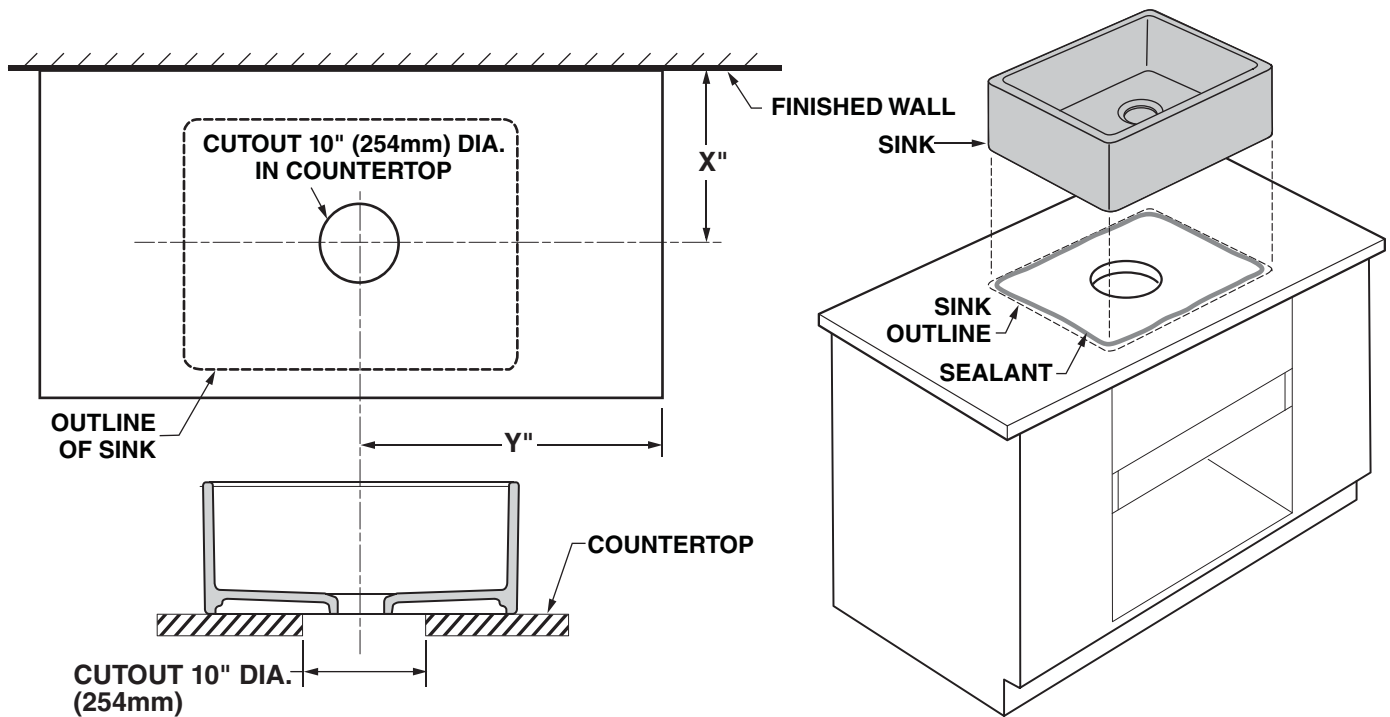
Connect supply lines to shutoff valves. Turn on water supply valves and water-test installation.

I ABOVE COUNTERTOP SINK INSTALLATION

Step 1. Position sink in place. Mark the center of the drain on the countertop as a guide for the installation location, allowing sufficient distance to the finished wall based on faucets chosen (Deck mount or Wall mount).

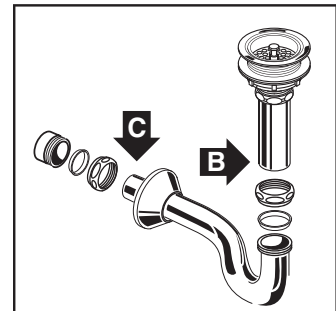
Step 2. Mark a 10 inch (254 mm) cut-out diameter on the counter centered on the mark. Drill a clearance hole inside the perimeter line and then cut opening around the perimeter. Use appropriate cutting tool for countertop material.

Step 3. Place a layer of sealant around the bottom edge of the sink where the sink and counter will make contact. Then replace sink back into position. You can also carefully mark the perimeter of the sink on the counter and apply the sealant on the counter instead of applying it on the bottom edge of the sink. Fill any voids and wipe excess away with soft damp cloth.



II ASSEMBLE AND INSTALL P-TRAP AND DRAIN CONNECTIONS

Assemble and install P-trap drain connections in accordance with manufacturer's instructions. Connect trap to drain assembly hand tight to check alignment. It may be necessary to cut off part of the tailpiece (area "B") or part of the horizontal leg of the trap (area "C"). Secure joints for watertight assembly.



III INSTALL FAUCET

Carefully locate and install faucet to countertop in accordance with manufacturer's instructions. Ensure you provide adequate clearance for supply lines and faucet operation.

Connect supply lines to shutoff valves. Turn on water supply valves and water-test installation.

CARE AND MAINTENANCE

Do not use harsh abrasives or caustic cleaners to clean fixture surfaces. A mild detergent, warm water, and a soft cloth will remove normal dirt and soap accumulations from fittings and surfaces. Rinse thoroughly after cleaning and polish with a soft dry cloth to restore original luster of material.

FIXTURE LIMITED WARRANTY

If inspection of this Porcher plumbing product, within one year after its initial purchase, confirms that it is defective in materials or workmanship, Porcher will repair or, at its option, exchange the product for a similar model. Variations in shading, veining, and texture which may result from natural characteristics of stone and as such are not defects and are not covered by this warranty.

This limited warranty does not apply to local building code compliance. Since local building codes vary considerably, the purchaser of this product should check with a local building or plumbing contractor to insure local code compliance before installation. This warranty shall be void if the product has been moved from its initial place of installation; if it has been subjected to faulty maintenance, abuse, misuse, accident or other damages; if it was not installed in accordance with Porcher's instructions; or if it has been modified in a manner inconsistent with the product as shipped by Porcher.

Porcher's option to repair or exchange the product under this warranty does not cover any labor or other costs of removal or installation. **Porcher will not be responsible for any other incidental or consequential damages attributable to a product defect or to the repair or exchange of a defective product, all of which are expressly excluded from this warranty.** This limited warranty does not cover any liability for consequential or incidental damage, all of which are hereby expressly disclaimed, or the extension beyond duration of this limited warranty of any implied warranties, including those of merchantability or fitness for an intended purpose. (Some state or provinces do not allow the exclusion or limitation of implied warranties, so this exclusion may not apply to you).

This warranty gives you specific legal rights. You may have other statutory rights that vary from state to state or from province to province, in which case this warranty does not affect such statutory rights.

For service under these warranties, it is suggested that a claim be made through the contractor or dealer from or through whom the product was purchased, or that a service request (including a description of the product model and of the defect) be sent to the following address:

In the United States:

Porcher
P.O. Box 6820
Piscataway, New Jersey 08855
Attention: Director of Consumer Affairs

For residents of the United States, warranty information may also be obtained by calling the following toll free number: (800) 359-3261
www.porcher-us.com

In Canada:

AS Canada ULC
5900 Avebury Rd.
Mississauga, Ontario
Canada L5R 3M3

Toll Free: (800) 387-0369
www.porcher.ca

In Mexico:

American Standard B&K Mexico
S. de R.L. de C.V.
Via Morelos #330
Col. Santa Clara
Ecatepec 55540 Edo. Mexico
Toll Free: 01-800-839-1200
www.porcher-us.com