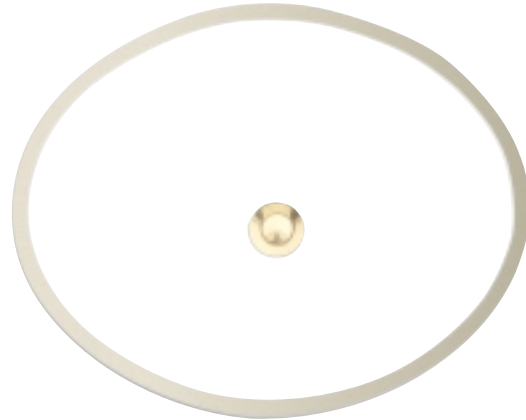


**PAYSON UNDERCOUNTER LAVATORY,
 MODEL 11030**

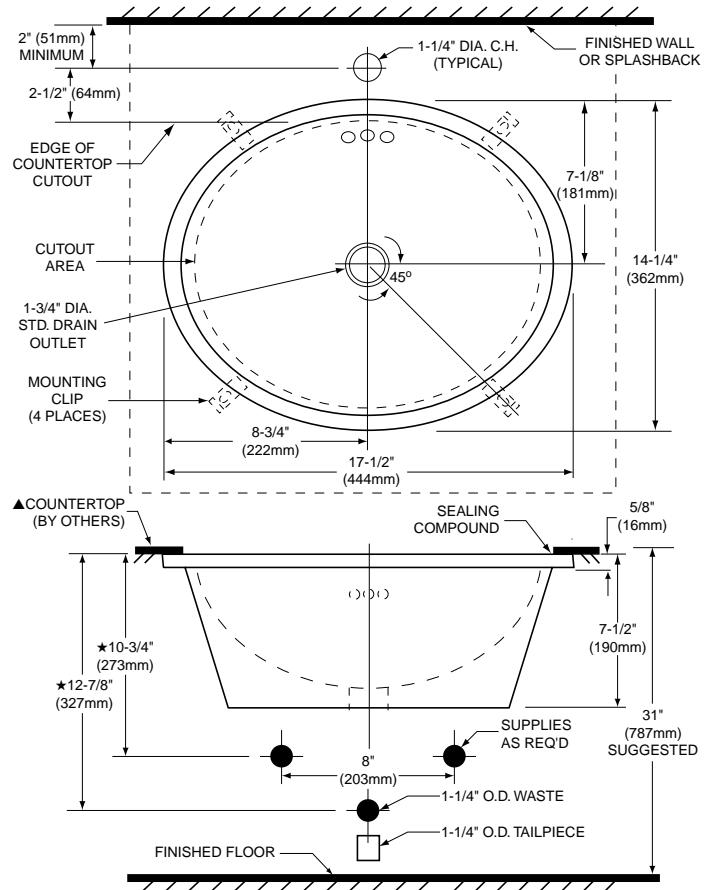
- Clean, contemporary design
- Vitreous china construction
- Full color range
- Art design availability
- With integral overflow
- Rim for undercounter mounting
- Supplied with mounting kit
- Less fittings deck (counter-mounted fittings)



Nominal Overall Dimensions:
 17-1/2" x 14-1/4" (444 x 362mm)

Bowl Inside Dimensions:
 15-1/2" (394mm) wide
 12-1/4" (311mm) front to back
 5-1/4" (133mm) depth

Fixture Dimensions conform to ANSI Standard
 A112.19.2M


To Be Specified

- Color:
- Art Design:
- Faucet:
- Faucet Finish:
- Supplies:
- 1-1/4" Trap:
- Nipple:

NOTES:

- ★ DIMENSIONS SHOWN FOR LOCATION OF SUPPLIES AND "P" TRAP ARE SUGGESTED.
- ▲ FOR COUNTERTOP CUTOUT, USE BASIN AS A TEMPLATE TO DETERMINE PROPER SHAPE AND CUT COUNTERTOP OPENING 1-1/2" (38mm) INSIDE BASIN CONTOUR. FITTINGS NOT INCLUDED AND MUST BE ORDERED SEPARATELY.
- UNDERCOUNTER MOUNTING KIT AND INSTALLATION INSTRUCTIONS SUPPLIED W/LAV.
- IMPORTANT: Dimensions of fixtures are nominal and may vary within the range of tolerances established by ANSI Standard A112.19.2M.
- These measurements are subject to change or cancellation. No responsibility is assumed for use

SPS 11030