

**MESA UNDERCOUNTER LAVATORY,  
 MODEL 11020**

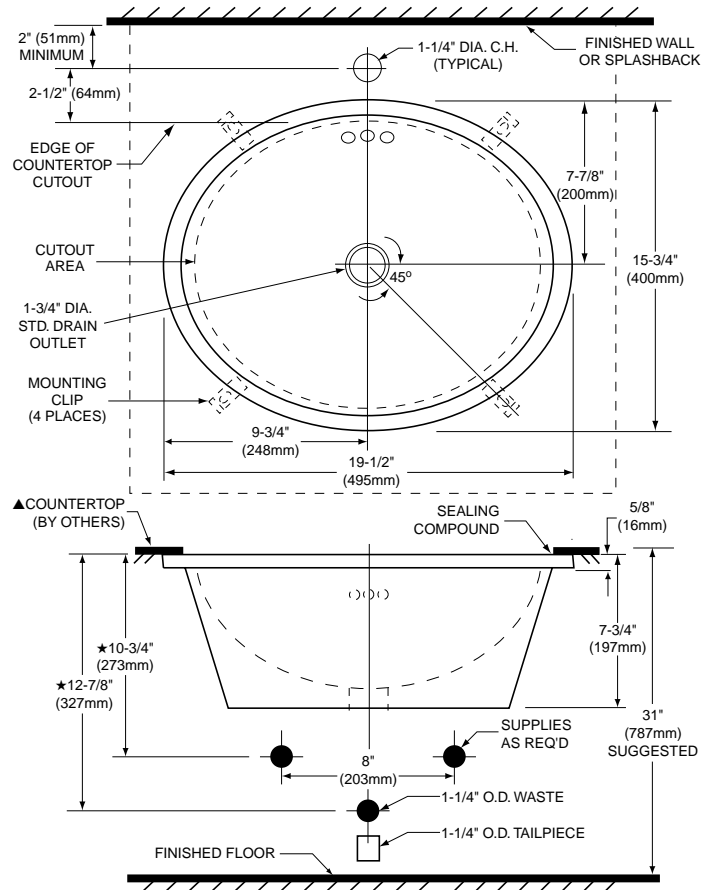
- Clean, contemporary design
- Vitreous china construction
- Full color range
- Art design availability
- With integral overflow
- Rim for undercounter mounting
- Supplied with mounting kit
- Less fittings deck (counter-mounted fittings)



**Nominal Overall Dimensions:**  
 19-1/2" x 15-3/4" (495 x 400mm)

**Bowl Inside Dimensions:**  
 17-1/4" (438mm) wide  
 13-1/2" (343mm) front to back  
 5-3/4" (146mm) depth

**Fixture Dimensions** conform to ANSI Standard  
 A112.19.2M



**To Be Specified**

- Color:
- Art Design:
- Faucet:
- Faucet Finish:
- Supplies:
- 1-1/4" Trap:
- Nipple:

**NOTES:**

★ DIMENSIONS SHOWN FOR LOCATION OF SUPPLIES AND "P" TRAP ARE SUGGESTED.  
 ▲ FOR COUNTERTOP CUTOUT, USE BASIN AS A TEMPLATE TO DETERMINE PROPER SHAPE AND CUT COUNTERTOP OPENING 1-1/2" (38mm) INSIDE BASIN CONTOUR. FITTINGS NOT INCLUDED AND MUST BE ORDERED SEPARATELY.  
 UNDERCOUNTER MOUNTING KIT AND INSTALLATION INSTRUCTIONS SUPPLIED W/LAV.  
 IMPORTANT: Dimensions of fixtures are nominal and may vary within the range of tolerances established by ANSI Standard A112.19.2M.  
 These measurements are subject to change or cancellation. No responsibility is assumed for use