

**Diagram A**

## Tetsu 42" Wall System

**\*NOTE:**  
**THE MANUFACTURER RECOMMENDS THE INSTALLATION OF SOLID BLOCKING WITHIN THE WALL TO REINFORCE J-RAILS**

- 1) Remove J-Rails(2) and console support arms(2) from the back of Wall System
- 2) Install console support arms through back of Tetsu wall System using #10 x 2 1/2" screws as shown in diagram "B", page 2
- 3) Secure J-Rails(2) Upper at 77" / Lower at 40 5/8" Top Edge Angle Cut, above finished floor(AFF), with #10 x 2 1/2" to wall in order to place the top of the console 32" from finished floor, check level, refer to diagram "A"
- 4) Install faucet as per manufacturer instructions
- 5) Mount Wall System on secured J-Rails(2)
- 6) Remove drawer from console unit
- 7) Slide console over console support arms and secure with #8 x 3/4" screws
- 8) Install sink as per manufacturer instructions
- 9) Re-install console drawers

### Hardware included

- : 12 -#8 x 3/4" L Pan Head Wood Screws
- : 16 -#10 x 2 1/2"L Flat Head Wood Screws above slot drive

### Recommended Tools

- : Level
- : Tape Measure
- : Drill
- : Screwdriver

### REPLACEMENT PARTS

- Door c/w Circular Mirror(1) 10 11/16" x 27 3/4" Veneer G2S
- Door(1) 10 11/16" x 27 3/4" Veneer G2S
- Door Hinge(2 Pair) Knife Hinge
- Metal Support Brackets(2) 2 3/4" x 4" x 20 7/8"
- J-Rail Wall Mount(2) 3/4" x 3" x 40"L Solid Poplar

**42" WALL UNIT ONLY** 08 MAR 06  
**95050-00**

# Tetsu 42" Wall System

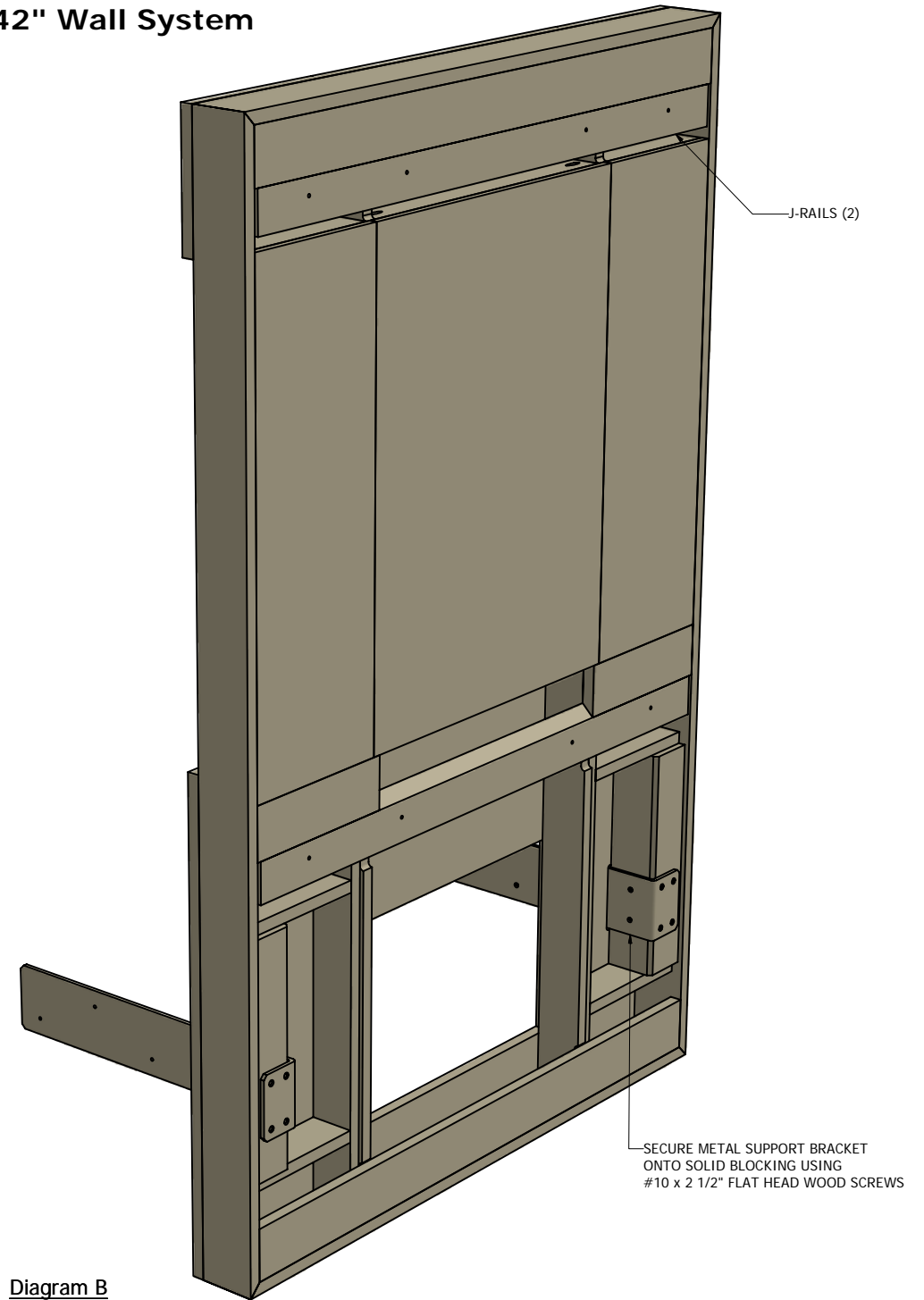
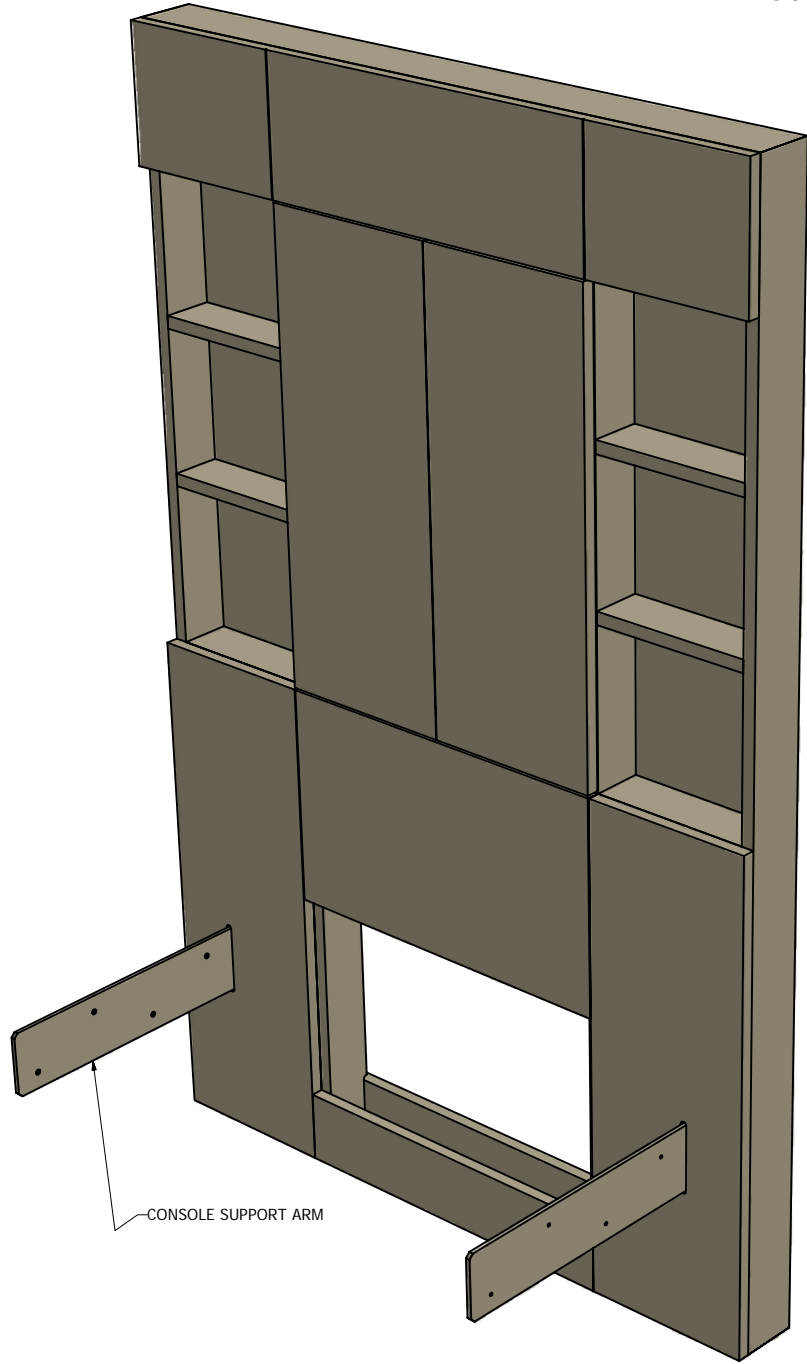


Diagram B

**42" WALL UNIT ONLY**  
**95050-00**

08 MAR 06