

# INSTALLATION INSTRUCTIONS

## SLATE MIRROR

Model #89830-00

### INTRODUCTION

Thank you for selecting our Porcher product. To ensure that your installation proceeds smoothly, read these instructions carefully before you begin. Also, review the recommended tools and materials section. Carefully unpack and examine your new plumbing fixture.

To maintain the beauty of the finish, avoid placing the furniture in direct sunlight, as sunlight causes fading. Also avoid extreme changes in temperature by arranging furniture away from radiators, heat and air vents, and air conditioning units. Avoid placing furniture directly under windows.

**ALL INSTALLATION PROCEDURES MUST COMPLY IN STRICT ACCORDANCE WITH APPLICABLE LOCAL PLUMBING AND BUILDING CODES**

**CAUTION: PRODUCT IS FRAGILE. TO AVOID BREAKAGE AND POSSIBLE INJURY HANDLE WITH CARE!**

NOTE: Pictures may not exactly define contour of china and components.

### Recommended Tools & Materials



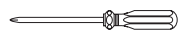
Level



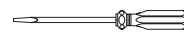
Hammer



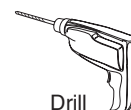
Tape Measure



Phillips Screwdriver



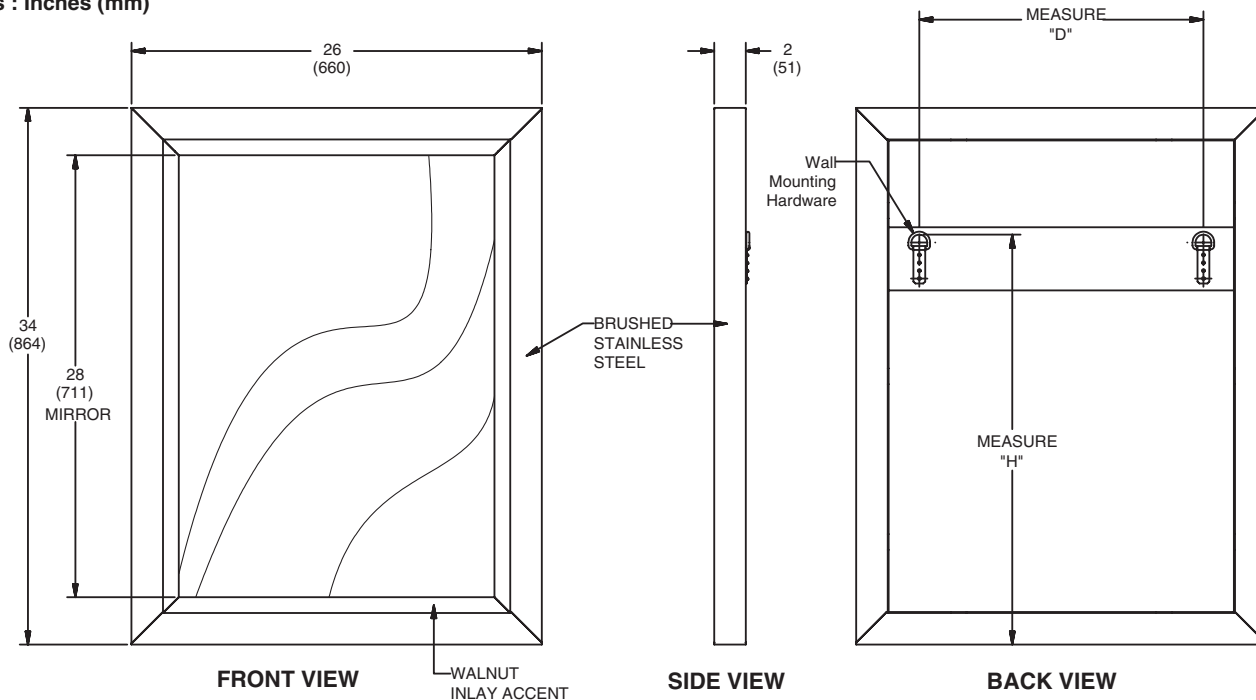
Regular Screwdriver



Drill

### Roughing-in Dimensions

Units : Inches (mm)



**NOTE:** Where possible, try to affix to a stud or provide adequate wall support for the size and weight of the mirror.

Measure distance "D" between Wall Hanging hardware, and distance "H" from base of Mirror.

Pre-drill holes in the wall for Plastic Anchors (use when no stud is available) to the required "D" measurement and the desired height from the floor (preferred height of bottom of Mirror from floor + "H" for a total height).

Insert Plastic Anchors provided into the pre-drilled holes and thread the screw hardware into the Plastic Anchor using a proper screwdriver.

Allow the head to protrude from the Plastic Anchor adequate to hold the hanging hardware securely in place.

Mount the Mirror to the wall by fitting the ring of the hanging hardware onto the protruding screw head.

SAVE THESE INSTRUCTIONS

## CARE AND CLEANING

Clean the product by using a soft, slightly damp cloth. Buff the product by using a soft dry cloth. When cleaning the mirror, spray the mirror with a glass cleaner and wipe clean. Avoid using silicone cleaners and waxes.

Clean up excess water and spills immediately. Use a blotting rather than a wiping action. Water left over a long period of time will cause white spots in the finish.

NOTE: Please note that some chemicals may damage the finish. Take care to avoid the following: iodine, hair dye, shaving cream, after shave lotion, alcohol, perfume, Lestoil®, Lysol Tub and Tile Cleaner®, Lysol Spray Disinfectant®, Dow Disinfectant®, acetone, paint remover, Formula 409®, Tile-X®, and Nair®.

## PORCHER WOOD FURNITURE WARRANTY

If inspection of this Porcher plumbing product, within one year after its initial purchase, confirms that it is defective in materials or workmanship, Porcher will repair or, at its option, exchange the product for a similar model. Variations in actual wood color and finishes which may result from natural characteristics of the wood, such as grain patterns, mineral streaks and the like, are not defects and are not covered by this warranty.

This limited warranty applies only to the original purchaser and installation of these products. In the event of a claim, proof of purchase will be required; save your receipt.

This limited warranty does not apply to local building code compliance. Since local building codes vary considerably, the purchaser of this product should check with a local building or plumbing contractor to insure local code compliance before installation.

This limited warranty shall be void if the product has been moved from its initial place of installation; if it has been subjected to faulty maintenance, abuse, misuse, accident or other damages; if it was not installed in accordance with Porcher's instructions; or if it has been modified in a manner inconsistent with the product as shipped by Porcher.

Porcher's option to repair or exchange the product under this limited warranty does not cover any labor or other costs of removal or installation, nor shall Porcher be responsible for any other incidental or consequential damages attributable to a product defect or to the repair or exchange of a defective product, all of which are expressly excluded from this limited warranty. This limited warranty does not cover any liability for consequential or incidental damages, all of which are hereby expressly disclaimed, or the extension beyond the duration of this limited warranty of any implied limited warranties, including those of merchantability or fitness for an intended purpose. (Some states or provinces do not allow the exclusion or limitation of implied limited warranties, so this exclusion may not apply to you).

This limited warranty gives you specific legal rights. You may have other statutory rights that vary from state to state or province to province, in which case this limited warranty does not affect such statutory rights.

### In the United States:

Porcher Inc.  
P.O. Box 6820  
Piscataway, New Jersey 08855  
Attention: Customer Care  
For residents of the United States,  
warranty information may also be  
obtained by calling the following  
toll free number: (800) 359-3261  
[www.porcher-us.com](http://www.porcher-us.com)

### In Canada:

Porcher  
2480 Stanfield Rd.  
Mississauga, Ontario  
Canada L4Y 1S2  
Toll Free: (800) 387-0369

### In Mexico:

Porcher  
Planta Santa Clara  
Via Morelos #330  
Santa Clara Coatitla  
de Morelos 55540  
Estado de Mexico, Mexico