

❖ 82920 - 24" Cabinet

- Calla combines the finest elements from the late Art Nouveau and early Art Deco periods
- Designed to be as sophisticated as it is space saving
- Made of select veneers and premium hardwood construction
- Designed to resist moisture and warpage over time
- Seven step finish applied by hand includes 2 catalyzed polyurethane top coats for moisture resistance and durability
- HPL interior seals and protects from cleaners and toiletries
- Cast metal decorative pulls in a chrome finish
- European robust hinges designed for longevity and repeated use
- Includes adjustable levelers
- American craftsmanship – made in the USA

Nominal Dimensions:

22-5/8" x 19-1/4" x 33"
(575 x 489 x 838mm)

Cabinet Colors:



Wenge
610

Calla Cherry
670

White Wood
620

Mahogany
625

Black
685

Countertop Options:

- ❖ **20378** Calla II Lavatory slab with 1-3/8" dia. holes on 8" (203mm) centers

Nominal Dimensions:

23-3/4" x 20-1/8" x 2-3/4"
(603 x 511 x 70mm)

Bowl Inside Dimensions:

19-3/8"(492mm) wide
12-1/2"(4318mm) front to back
5-3/4"(146mm) depth

Lavatory Colors:

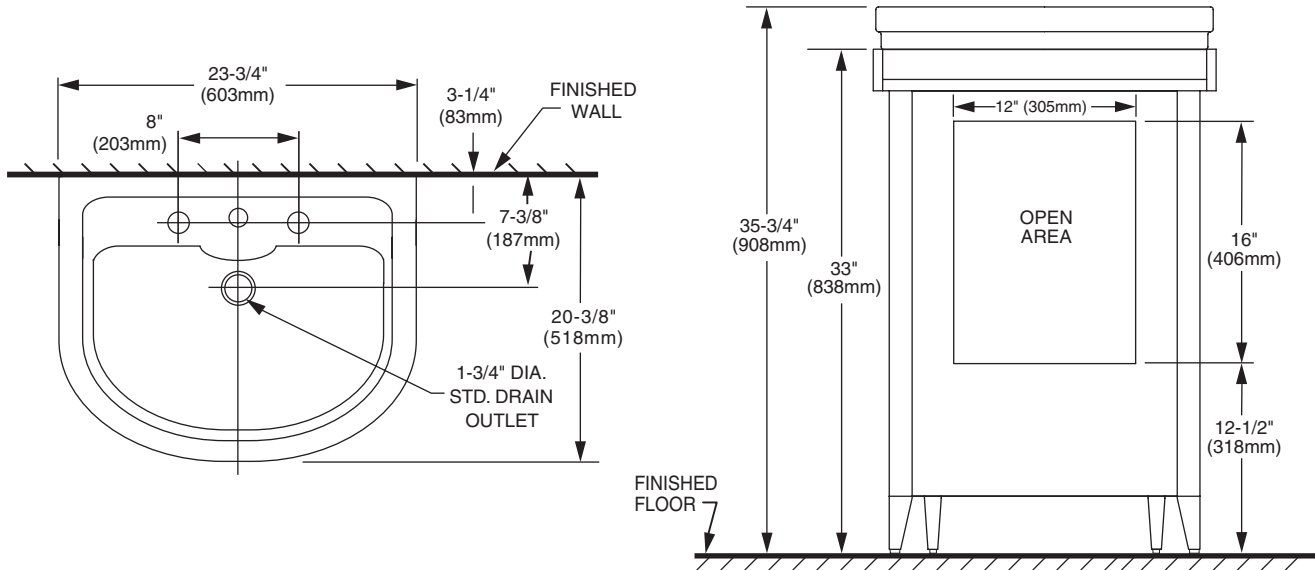


White
001

Biscuit
071



ROUGH IN DIAGRAM SHOWN
ON REVERSE SIDE



NOTES:

LOCATE SUPPLIES AND "P" TRAP IN OPEN AREA.
 SECURE FURNITURE IN ACCORDANCE WITH INSTALLATION INSTRUCTIONS PROVIDED.
 FITTINGS NOT INCLUDED AND MUST BE ORDERED SEPARATELY.
 INSTALLATION INSTRUCTIONS SUPPLIED WITH LAVATORY.

IMPORTANT: Dimensions of fixtures are nominal and may vary within the range of tolerances established by applicable ASME standards. These measurements are subject to change or cancellation. No responsibility is assumed for use of superseded or voided pages.

To Be Specified:

- Color:
- Faucet:
- Faucet Finish:
- Supplies:
- 1-1/4" Trap:

Compliance Certifications:

- Meets or Exceeds ASME A112.19.2 - 2008/CSA B45.1-08
- CARB Phase I Compliant