

# ASSEMBLY & INSTALLATION INSTRUCTIONS



## SAPHO PEDESTAL LAVATORY TOWEL BAR Model 84000

Thank you for selecting our Porcher product. To ensure that your installation proceeds smoothly, read these instructions carefully before you begin. Also, review the recommended tools and materials section. Carefully unpack and examine your new plumbing fixture.

**▲ CAUTION: CHINA LAVATORIES MAY BE HEAVY AND ARE FRAGILE. USE EXTREME CARE WHEN HANDLING!**  
NOTE: Pictures may not exactly define contour of china and components.

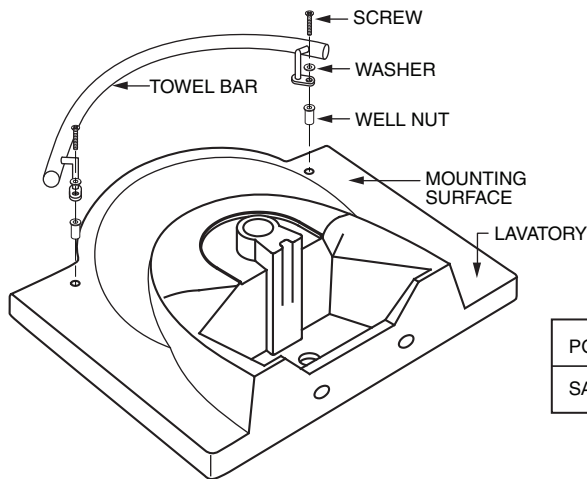
### BEFORE YOU BEGIN...

Unpack new towel bar and inspect carefully for damage. Replace the towel bar in its original packing carton to protect it until you are ready to begin installation.

### Recommended Tool

- Phillips Screwdriver

Insert well nuts in proper holes in lavy, hold flat mounting surface against lavy and tighten screws until bar is secure (do not overtighten).



PORCHER TOWEL BAR	PART No.	MOUNTING KIT PRPVIDED
SAPHO PEDESTAL LAVATORY TOWEL BAR	84000-00.100	7381164-100.0070A

### PORCHER ONE-YEAR LIMITED WARRANTY

If inspection of this Porcher product, within one year after its initial purchase, confirms that it is defective in materials or workmanship, Porcher will repair or, at its option, exchange the product for a similar model.

This warranty **does not apply** to local building code compliance. Since local building codes vary considerably, the purchaser of this product should check with a local building or plumbing contractor to insure local code compliance before installation.

This warranty **shall be void** if the product has been moved from its initial place of installation; if it has been subjected to faulty maintenance, abuse, misuse, accident or other damage; if it was not installed in accordance with Porcher's instructions; or if it has been modified in a manner inconsistent with the product as shipped by Porcher.

Porcher's option to repair or exchange the product under this warranty does not cover any labor or other costs of removal or installation, **nor shall Porcher be responsible for any other incidental or consequential damages attributable to a product defect or to the repair or exchange of a defective product, all of which are expressly excluded from this warranty.** (Some states or provinces do not allow the exclusion or limitation of implied warranties, so this exclusion may not apply to you.)

This warranty gives you specific legal rights. You may have other statutory rights that vary from state to state or from province to province, in which case this warranty does not affect such statutory rights.

For service under this warranty, it is suggested that a claim be made through the contractor or dealer from or through whom the product was purchased, or that a service request (including a description of the product model and of the defect) be sent to the following address:

**In the United States:**  
Porcher  
P.O. Box 6820  
Piscataway, New Jersey, 08855  
Attention: Director of Consumer Affairs

For residents of the United States, warranty information may also be obtained by calling the following toll free number: (800) 359-3261

[www.porcher-us.com](http://www.porcher-us.com)

**In Canada:**  
Porcher  
5900 Avebury Road  
Mississauga, Ontario  
Canada L5R 3M3

Toll Free: (800) 387-0369

[www.porcher.ca](http://www.porcher.ca)

**In Mexico:**  
Porcher  
Planta Santa Clara  
Via Morelos #330  
Santa Clara Coatitla  
Ecatepec de Morelos 55540,  
Estado de Mexico, Mexico