

- Made of select veneers and premium hardwood construction
- Designed to resist moisture and warpage over time
- Seven step finish applied by hand includes 2 catalyzed polyurethane top coats for moisture resistance and durability
- HPL interior seals and protects from cleaners and toiletries
- Casted metal pulls in a brushed finish
- European robust hinges designed for longevity and repeated use
- Includes adjustable levelers
- Soft-close hinges on all doors
- Slow-close glides on all drawers

❖ 80820-01 - 16" Wall Hung Cabinet

Nominal Dimensions:

16" x 16" x 16-3/4"
(406 x 406 x 425mm)

❖ 80830-01 - 16" Base / Drawer

Nominal Dimensions:

16" x 16" x 14-1/4"
(406 x 406 x 362mm)

❖ Floorstanding Vanity

❖ 80820-01 - 16" Wall Hung Cabinet

❖ 80830-01 - 16" Base / Drawer

Nominal Dimensions:

16" x 16" x 31"
(406 x 406 x 787mm)

Cabinet/Base/Vanity Colors:



Maple
602



Wenge
610



Wenge/Rosewood
605



White Wood
620

Countertop Options:

❖ 26020 - Porcher Solutions™ Square Lavatory, Center Hole

Nominal Dimensions:

16" x 16" x 4-3/4"
(406 x 406 x 121mm)

Lavatory Colors:

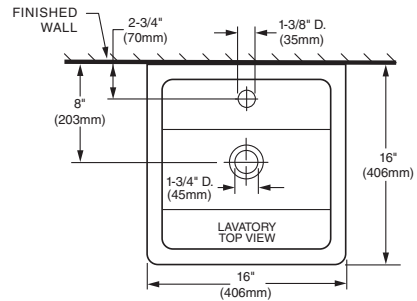


White
001

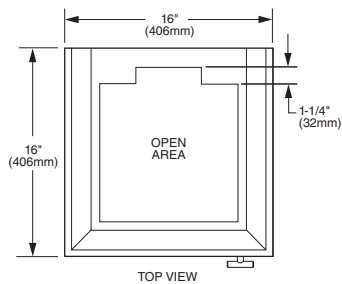


ROUGH IN DIAGRAM SHOWN
ON REVERSE SIDE

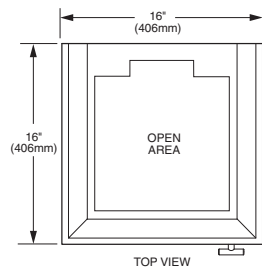
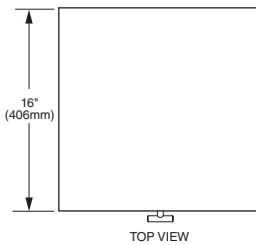
Floor Standing Vanity 80820-01 & 80830-01



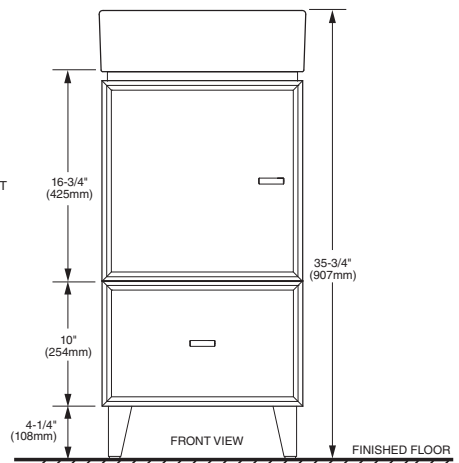
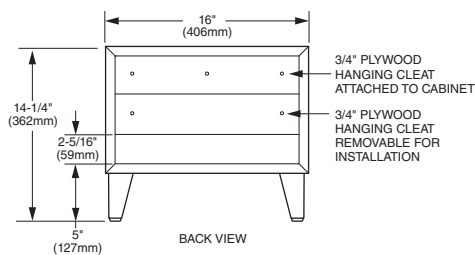
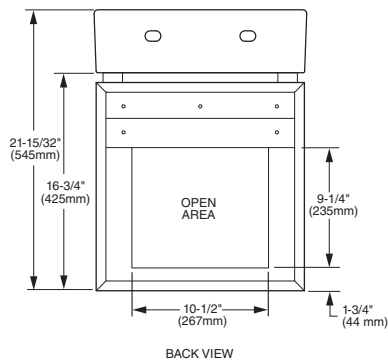
Wall Hung Cabinet 80820-01



Base/Drawer 80830-01



NOTE: Legs must be used when Cabinet and Base are combined to create a Floor Standing Vanity.



NOTES:

LOCATE SUPPLIES AND "P" TRAP IN OPEN AREA.
SECURE FURNITURE IN ACCORDANCE WITH INSTALLATION INSTRUCTIONS PROVIDED.
FITTINGS NOT INCLUDED AND MUST BE ORDERED SEPARATELY.
INSTALLATION INSTRUCTIONS SUPPLIED WITH LAVATORY.

IMPORTANT: Dimensions of fixtures are nominal and may vary within the range of tolerances established by applicable ASME standards. These measurements are subject to change or cancellation. No responsibility is assumed for use of superseded or voided pages.

To Be Specified:

- Color:
- Faucet:
- Faucet Finish:
- Supplies:
- 1-1/4" Trap:

Compliance Certifications:

- Meets or Exceeds ASME A112.19.2 - 2008/CSA B45.1-08
- CARB Phase I Compliant