



PRODUCT DIMENSIONS

MODEL 60525

TETSU 5-1/2' x 32"

MODEL 60545

TETSU 5-1/2' x 36"

MODEL 60645

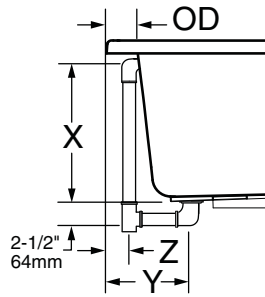
LUTEZIA 5-1/2' x 36"

MODEL 60745

ARCHIVE 5-1/2' x 36" OVAL

SPECIFICATIONS

DECK TO C/L OVERFLOW



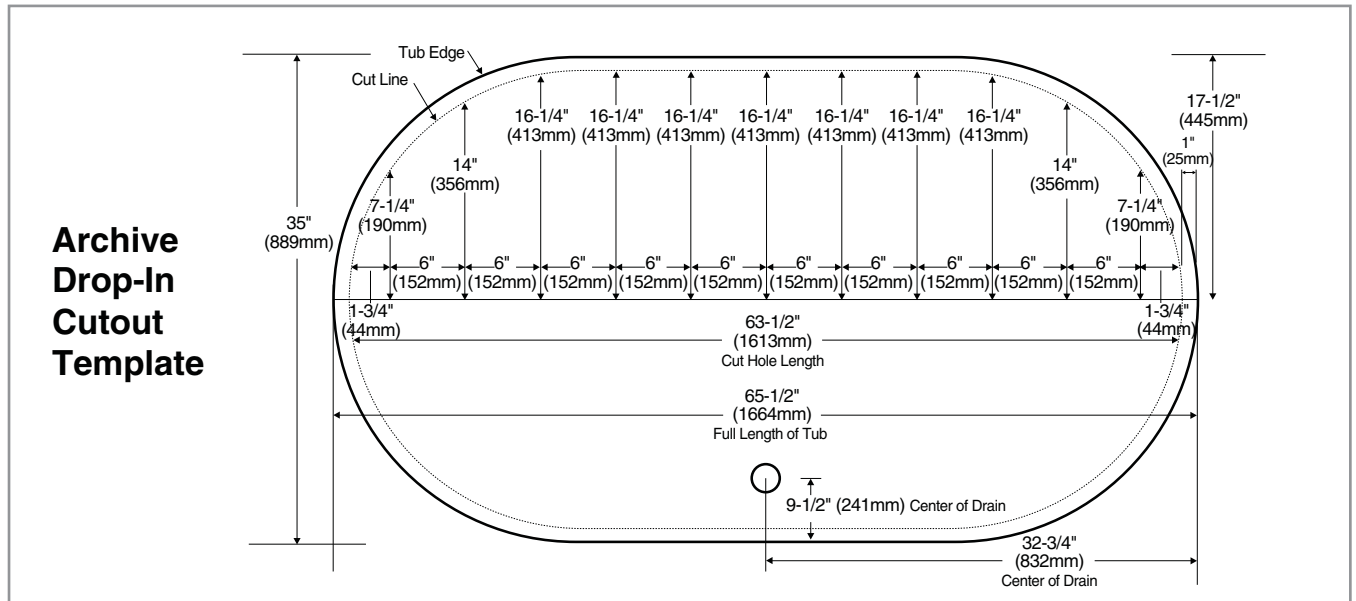
GENERAL SPECIFICATIONS AIR BATHS - DROP IN AND RECESS MODELS

Description	Drain / Overflow	Cut Out Pier G x F	Rough-In Recess A x C	Weight with Water / Floor Loading	Product Weight	Gallon to Overflow
Tetsu™ 5-1/2' x 32" (140 x 813mm) 60525	X 17" (432mm) Y 10-1/8" (257mm) Z 7-1/8" (181mm)	64-1/2" x 30-1/2" (1638 x 775mm)	66" x 32" (1677 x 813mm)	50 lbs./ft²	85 lbs. (39 kg.)	78 gal. (295 l.)
Tetsu™ 5-1/2' x 36" (140 x 914mm) 60545	X 17-1/4" (438mm) Y 10" (254mm) Z 5-1/4" (133mm)	64-1/2" x 34-1/2" (1638 x 880mm)	66-1/4" x 36-1/4" (1682 x 920mm)	40 lbs./ft²	85 lbs. (39 kg.)	68 gal. (260 l.)
Lutezia™ 5-1/2' x 36" (140 x 914mm) 60645	X 17-3/8" (441mm) Y 10" (254mm) Z 7" (178mm)	64-1/4" x 34-1/2" (1630 x 880mm)	66" x 36" (1677 x 914mm)	48 lbs./ft²	85 lbs. (39 kg.)	84 gal. (320 l.)
Archive™ Oval 5-1/2' x 36" (140 x 914mm) 60745	X 17-3/8" (441mm) Y 9-1/2" (241mm) Z 6-3/8" (62mm)	Use Template Provided	See Template Dimensions -Next Page-	54 lbs./ft²	121 lbs. (55 kg.)	80 gal. (300 l.)

TABLE 1

For more details, see specification page per model at www.porcher-us.com

*note - on Air Baths the drain included with the tub must be used. The drain outlet is directly under the drain hole in the tub.

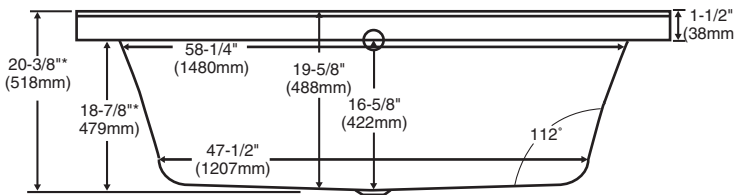
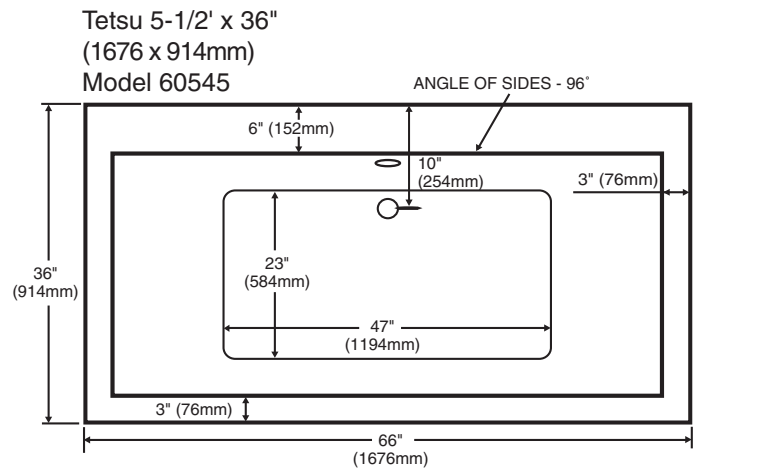
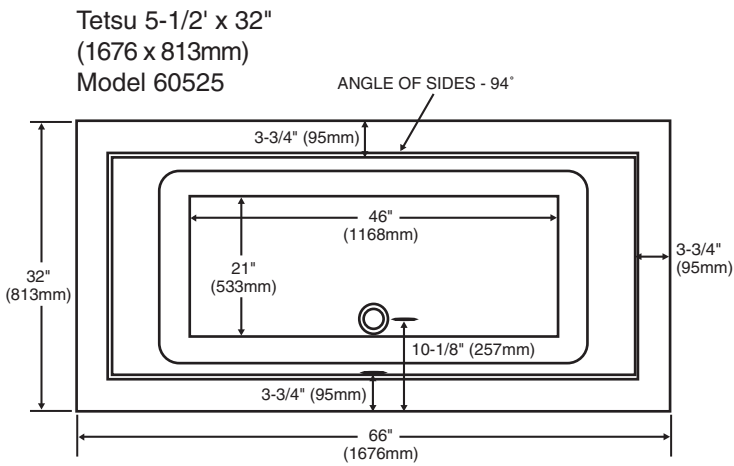


**Archive
Drop-In
Cutout
Template**

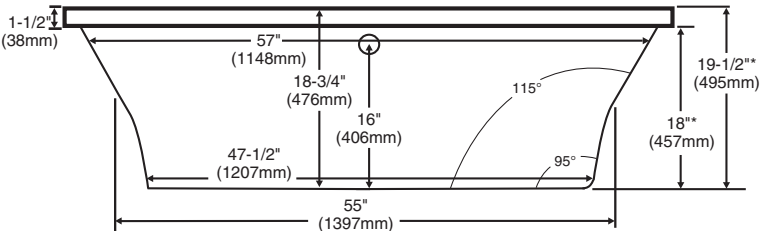
Roughing In References

Soaker, Soaker with Lights, Air Bath, Air Bath with Lights

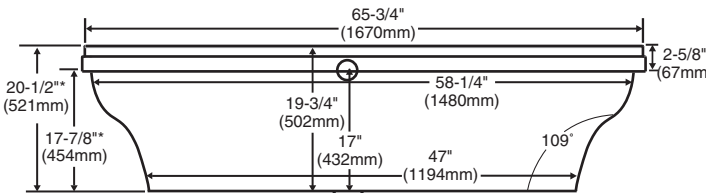
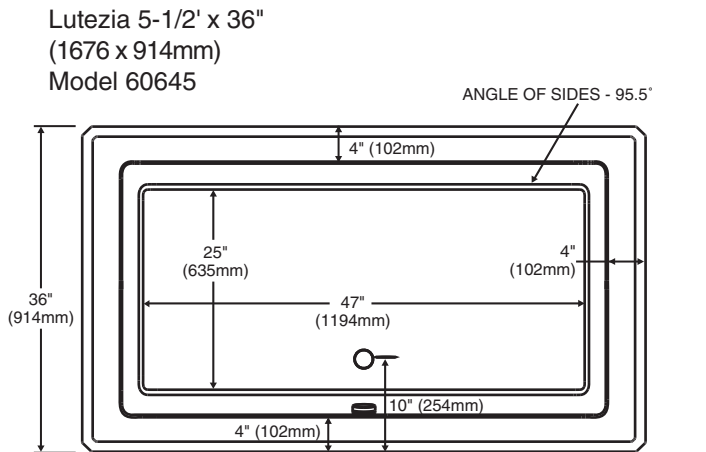
-see appropriate sections for details - support soakers with bedding material, rim must NOT support weight



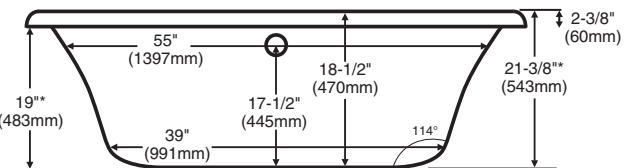
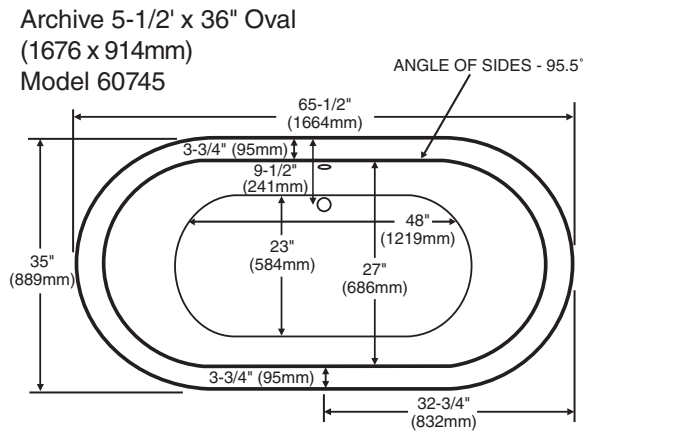
*For Air Baths Add 2-1/2" (64mm)



*For Air Baths Add 2-1/2" (64mm)



*For Air Baths Add 2-1/2" (64mm)



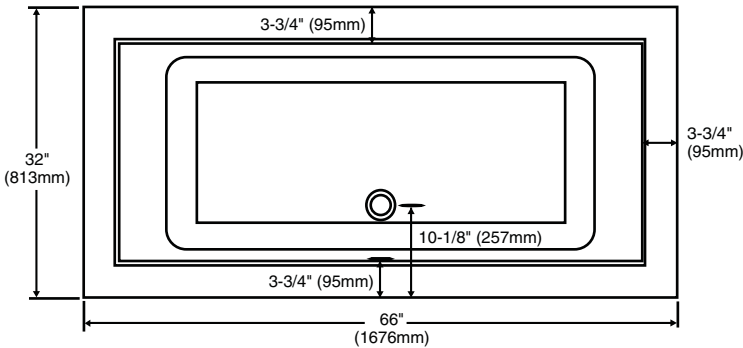
*For Air Baths Add 2-1/2" (64mm)

Roughing In References Freestanding Models

-see appropriate sections for details

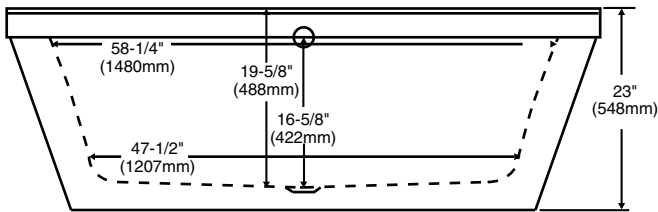
A - For Air Equipped Tubs Only
Do Not drill in this area
Air Component will be
damaged.

Tetsu 5-1/2' x 32"
(1676 x 813mm)
Model 60525



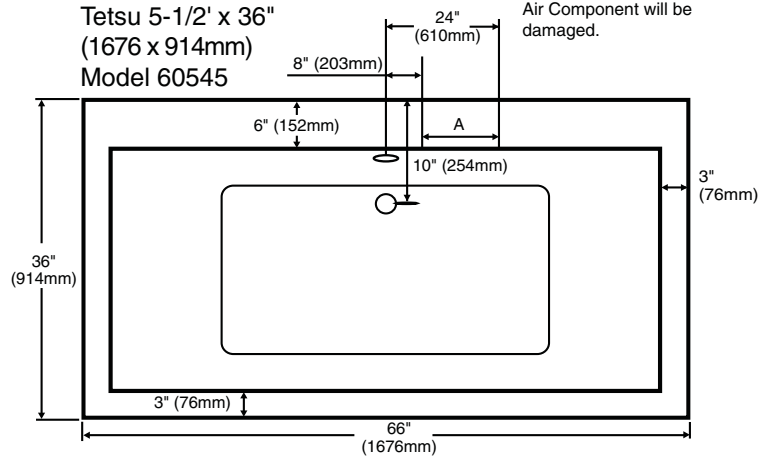
freestanding tubs use wall-mounted or freestanding faucets. The waste and overflow assembly is concealed between the walls of the tub, eliminating the need for a decorative exposed drain kit.

Dotted Line Represents Bathing Well



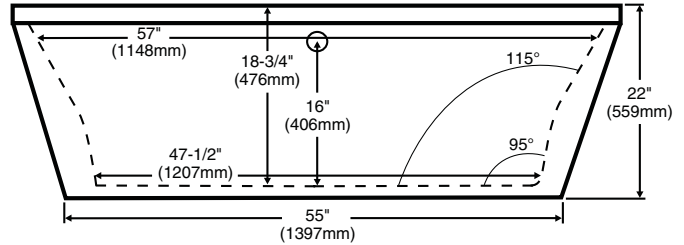
Measurements are $\pm \frac{1}{2}$ " (13mm) and are subject to change without notice. Data herein supersedes all previous prior to publication date shown below.

Tetsu 5-1/2' x 36"
(1676 x 914mm)
Model 60545



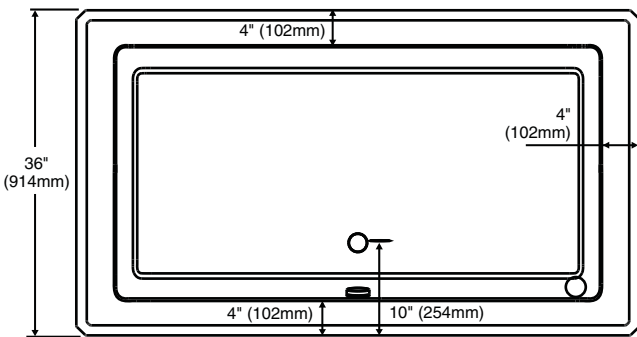
Freestanding tubs use wall-mounted or freestanding faucets. The waste and overflow assembly is concealed between the walls of the tub, eliminating the need for a decorative exposed drain kit.

Dotted Line Represents Bathing Well



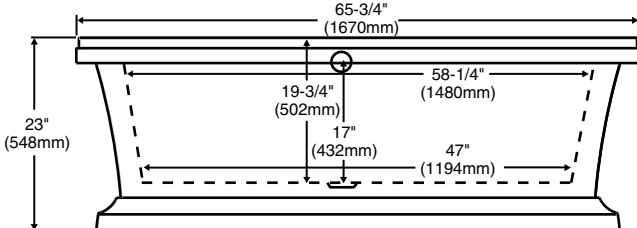
Measurements are $\pm \frac{1}{2}$ " (13mm) and are subject to change without notice. Data herein supersedes all previous prior to publication date shown below.

Lutezia 5-1/2' x 36"
(1676 x 914mm)
Model 60645



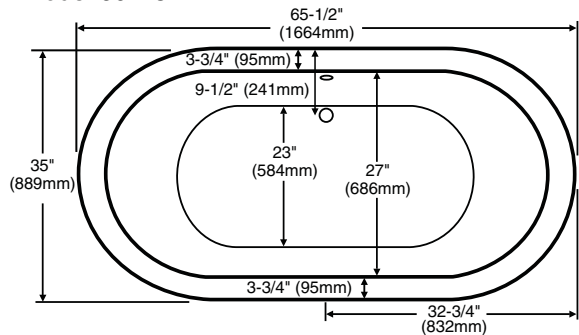
Freestanding tubs use wall-mounted or freestanding faucets. The waste and overflow assembly is concealed between the walls of the tub, eliminating the need for a decorative exposed drain kit.

Dotted Line Represents Bathing Well



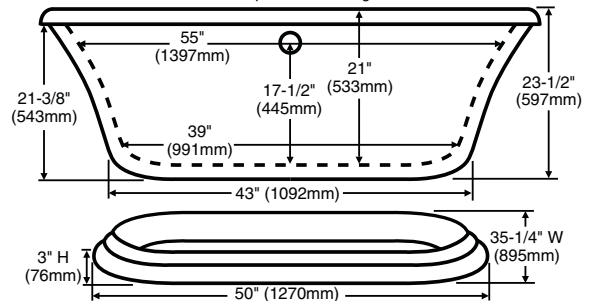
Measurements are $\pm \frac{1}{2}$ " (13mm) and are subject to change without notice. Data herein supersedes all previous prior to publication date shown below.

Archive 5-1/2' x 36" Oval
(1676 x 914mm)
Model 60745



Freestanding tubs use wall-mounted or freestanding faucets. The waste and overflow assembly is concealed between the walls of the tub, eliminating the need for a decorative exposed drain kit.

Dotted Line Represents Bathing Well



Optional one-piece pedestal base.

Measurements are $\pm \frac{1}{2}$ " (13mm) and are subject to change without notice. Data herein supersedes all previous prior to publication date shown below.