

ARDENNES NOUVEAU CAST IRON BATHING POOL, 60320

- Formed of cast iron construction
- Space saving size
- Tub is equipped with adjustable cast iron legs for ease of installation
- Contoured for lumbar support
- Non-skid bottom surface
- End mounted drain
- 39 gallon capacity
- Suitable for applications as pier, island or peninsula type of installation

Kit Components:

- 60320 Ardennes Tub Only
- 60200 Leveling legs

Nominal Dimensions:

59" x 27-3/4" x 19-5/8"

(1498 x 705 x 500mm)

(Maximum height with leveling feet

22-1/4" (564mm)

2" Drain

2-1/2" Overflow Hole

Compliance Certifications – Meets or Exceeds the Following Specifications:

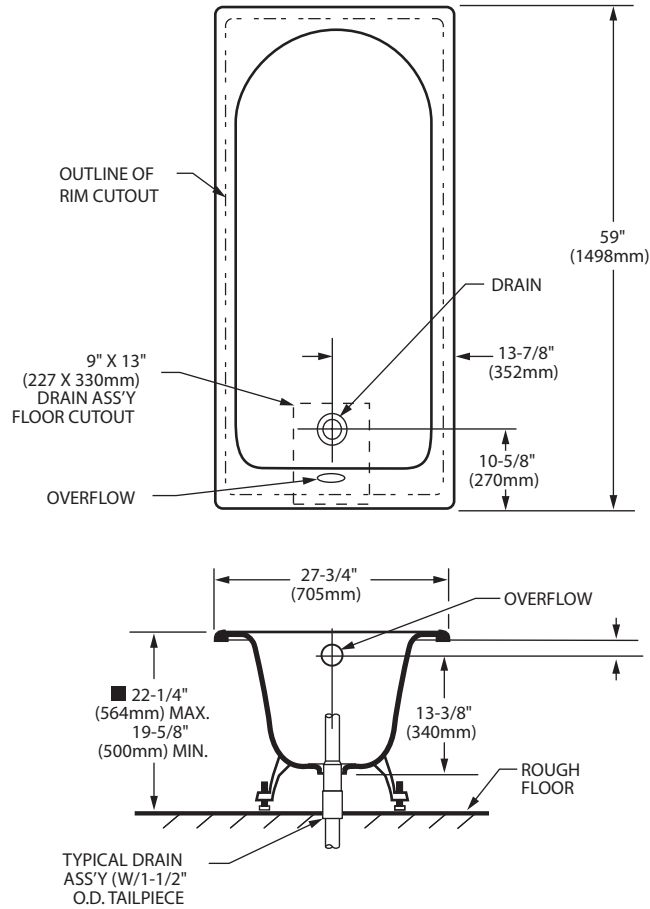
- ASME A112.19.1M-1994



To Be Specified (Required):

- Rotary 18" Bath Drain (chrome): 85020; or
- Rotary 18" Bath Drain (polished brass): 85022; or
- Rotary 18" Bath Drain (brushed nickel): 85025; or
- Rotary 18" Bath Drain (polished nickel): 85028

ROUGH IN DIAGRAM AND
PRODUCT SPECIFICATIONS
SHOWN ON REVERSE SIDE



GENERAL SPECIFICATIONS FOR 60320-00 BATHING POOL	
INSTALLED SIZE (L X W)	59" x 27-3/4" (1498 x 705mm)
HEIGHT	ADJ. FROM 22-1/4" (565mm) MAX. TO 19-5/8" (498mm) MIN.
WEIGHT	243 Lbs. (110 Kg)
WEIGHT W/WATER	566 Lbs. (256 Kg)
GALLONS TO OVERFLOW	39 Gal. (148 L)
FLOOR LOAD	47.4 Lbs./Sq. Ft. (231 Kgs/Sq. m)
BATHING WELL AT SUMP	13-1/2" x 39-1/2" (343 x 1003mm)
BATHING WELL AT RIM	23" x 53" (584 x 1346mm)
WATER DEPTH TO OVERFLOW	12-3/4" (324mm)

NOTES:

BATH CAN BE INSTALLED EITHER ABOVE OR BELOW FLOOR LINE AS PIER, ISLAND OR PENINSULA TYPE INSTALLATION. SUMP OF BATH IS SUPPORTED BY INTEGRAL FEET. NO ADDITIONAL SUPPORT REQUIRED. ENCLOSING MATERIALS BY OTHERS.

- IF INSTALLING A DECK-MOUNTED FITTING, BEFORE DRILLING ANY HOLES: CHECK FOR INTERFERENCE WITH DRAIN OVERFLOW. MOUNTING HOLES DRILLED BY INSTALLER.
- REFER TO INSTALLATION INSTRUCTIONS SUPPLIED WITH WHIRLPOOL FOR ADDITIONAL INFORMATION. FITTINGS NOT INCLUDED AND MUST BE ORDERED SEPARATELY. PROVIDE SUITABLE REINFORCEMENT FOR ALL SUPPORTS.

IMPORTANT: Dimensions of fixtures are nominal and may vary within the range of tolerances established by ASME A112.19.1M-1994. These measurements are subject to change or cancellation. No responsibility is assumed for use of superseded or voided leaflet.