

Percher

PRODUCT DIMENSIONS

MODEL 60525

TETSU 5-1/2' x 32"

MODEL 60545

TETSU 5-1/2' x 36"

MODEL 60645

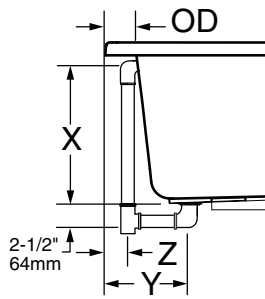
LUTEZIA 5-1/2' x 36"

MODEL 60745

ARCHIVE 5-1/2' x 36" OVAL

SPECIFICATIONS

DECK TO C/L OVERFLOW



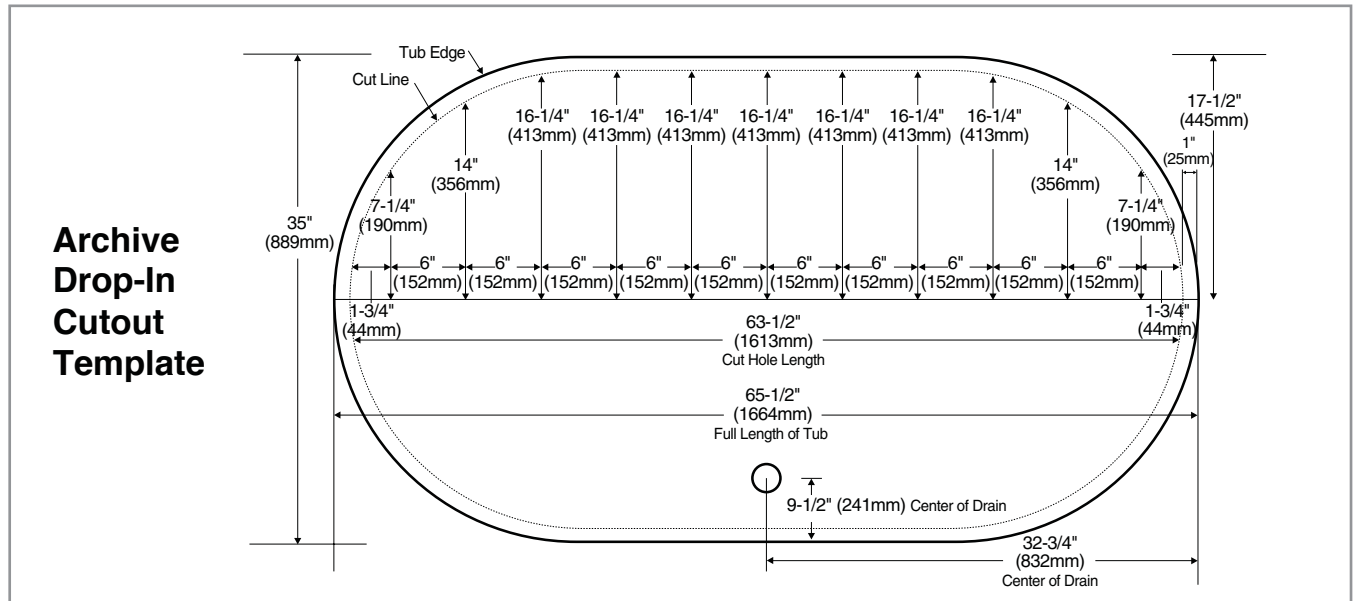
GENERAL SPECIFICATIONS AIR BATHS - DROP IN AND RECESS MODELS

Description	Drain / Overflow	Cut Out Pier G x F	Rough-In Recess A x C	Weight with Water / Floor Loading	Product Weight	Gallon to Overflow
Tetsu™ 5-1/2" x 32" (140 x 813mm) 60525	X 17" (432mm) Y 10-1/8" (257mm) Z 7-1/8" (181mm)	64-1/2" x 30-1/2" (1638 x 775mm)	66" x 32" (1677 x 813mm)	50 lbs./ft²	85 lbs. (39 kg.)	78 gal. (295 l.)
Tetsu™ 5-1/2" x 36" (140 x 914mm) 60545	X 17-1/4" (438mm) Y 10" (254mm) Z 5-1/4" (133mm)	64-1/2" x 34-1/2" (1638 x 880mm)	66-1/4" x 36-1/4" (1682 x 920mm)	40 lbs./ft²	85 lbs. (39 kg.)	68 gal. (260 l.)
Lutezia™ 5-1/2" x 36" (140 x 914mm) 60645	X 17-3/8" (441mm) Y 10" (254mm) Z 7" (178mm)	64-1/4" x 34-1/2" (1630 x 880mm)	66" x 36" (1677 x 914mm)	48 lbs./ft²	85 lbs. (39 kg.)	84 gal. (320 l.)
Archive™ Oval 5-1/2" x 36" (140 x 914mm) 60745	X 17-3/8" (441mm) Y 9-1/2" (241mm) Z 6-3/8" (62mm)	Use Template Provided	See Template Dimensions -Next Page-	54 lbs./ft²	121 lbs. (55 kg.)	80 gal. (300 l.)

TABLE 1

For more details, see specification page per model at www.porcher-us.com

*note - on Air Baths the drain included with the tub must be used. The drain outlet is directly under the drain hole in the tub.

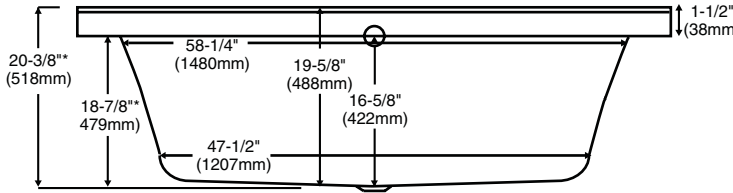
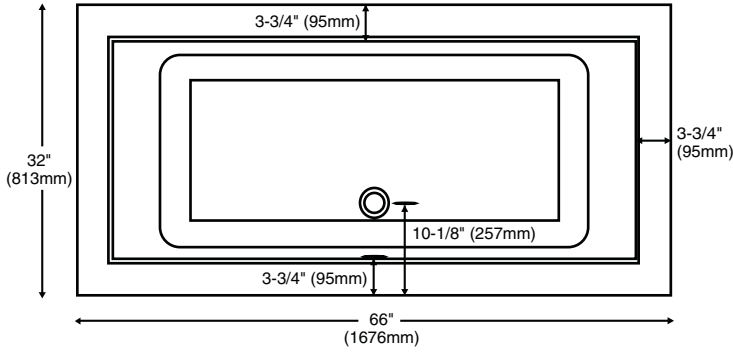


Roughing In References

Soaker, Soaker with Lights, Air Bath, Air Bath with Lights

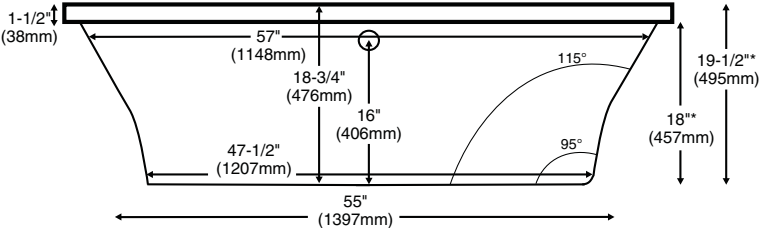
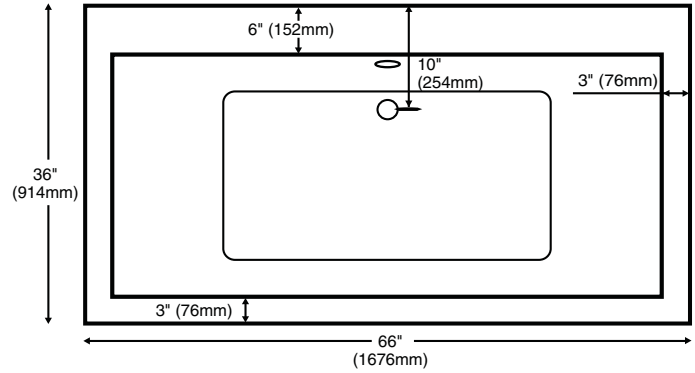
-see appropriate sections for details - support soakers with bedding material, rim must NOT support weight

Tetsu 5-1/2' x 32"
(1676 x 813mm)
Model 60525



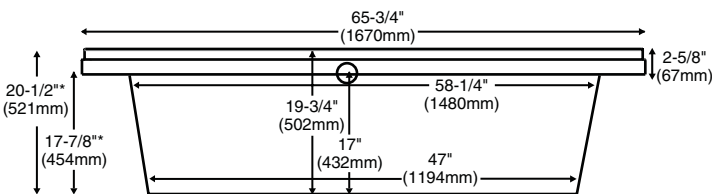
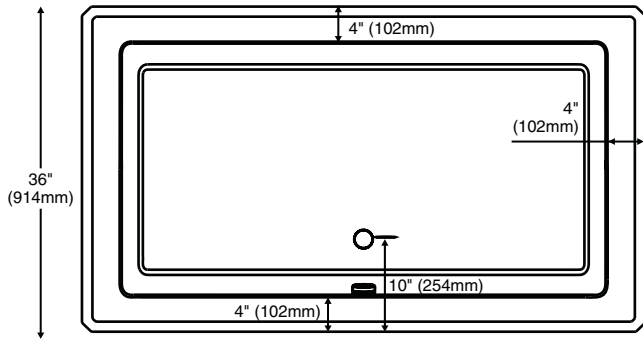
*For Air Baths Add 2-1/2" (64mm)

Tetsu 5-1/2' x 36"
(1676 x 914mm)
Model 60545



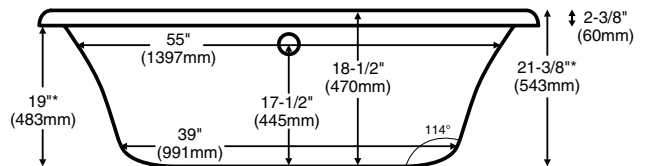
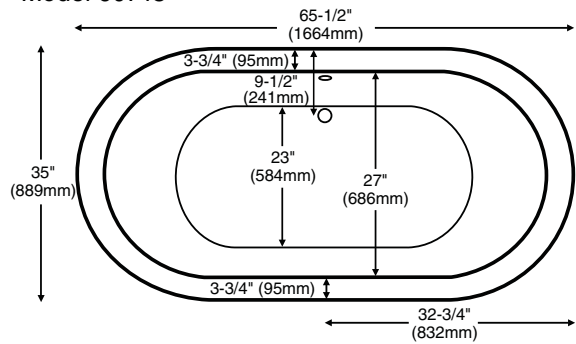
*For Air Baths Add 2-1/2" (64mm)

Lutezia 5-1/2' x 36"
(1676 x 914mm)
Model 60645



*For Air Baths Add 2-1/2" (64mm)

Archive 5-1/2' x 36" Oval
(1676 x 914mm)
Model 60745



*For Air Baths Add 2-1/2" (64mm)

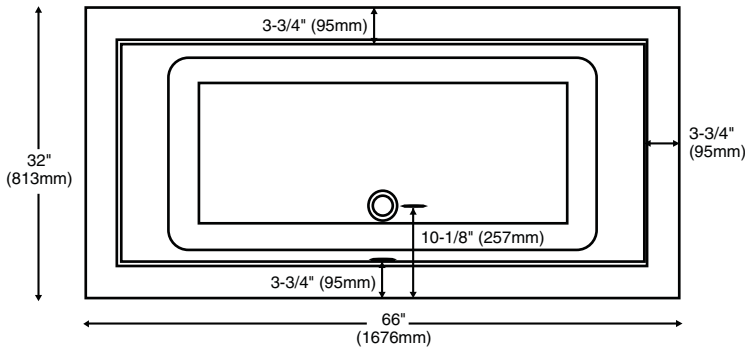
Roughing In References

Freestanding Models

-see appropriate sections for details

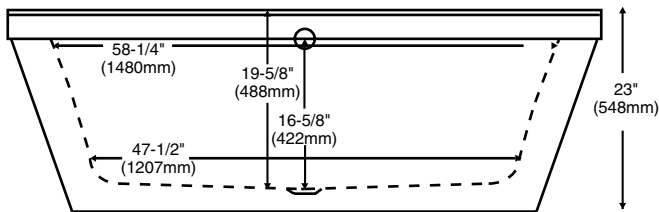
A - For Air Equipped Tubs Only
Do Not drill in this area
Air Component will be damaged.

Tetsu 5-1/2' x 32"
(1676 x 813mm)
Model 60525



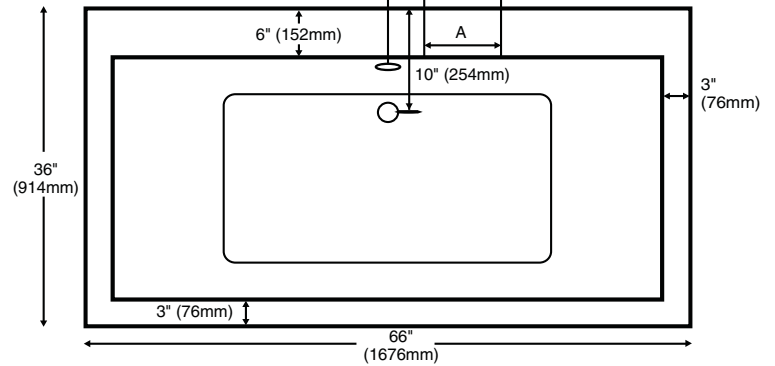
freestanding tubs use wall-mounted or freestanding faucets. The waste and overflow assembly is concealed between the walls of the tub, eliminating the need for a decorative exposed drain kit.

Dotted Line Represents Bathing Well



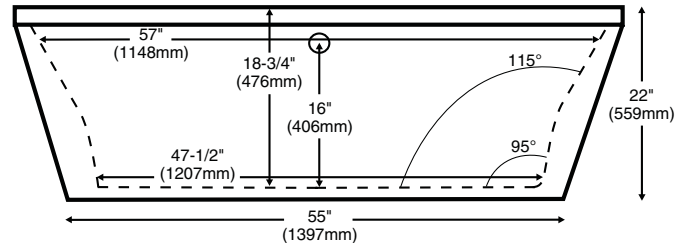
Measurements are $\pm \frac{1}{2}$ " (13mm) and are subject to change without notice. Data herein supersedes all previous prior to publication date shown below.

Tetsu 5-1/2' x 36"
(1676 x 914mm)
Model 60545



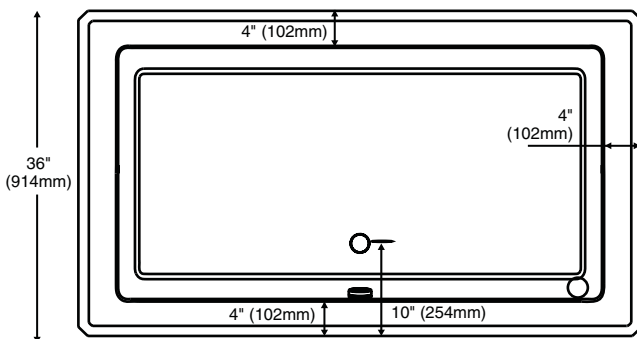
Freestanding tubs use wall-mounted or freestanding faucets. The waste and overflow assembly is concealed between the walls of the tub, eliminating the need for a decorative exposed drain kit.

Dotted Line Represents Bathing Well



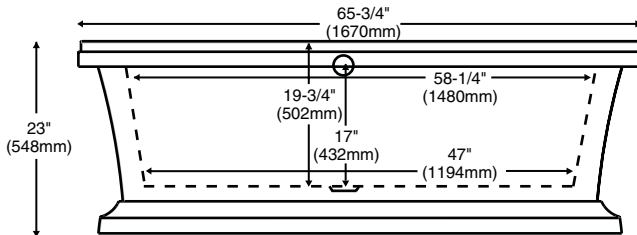
Measurements are $\pm \frac{1}{2}$ " (13mm) and are subject to change without notice. Data herein supersedes all previous prior to publication date shown below.

Lutezia 5-1/2' x 36"
(1676 x 914mm)
Model 60645



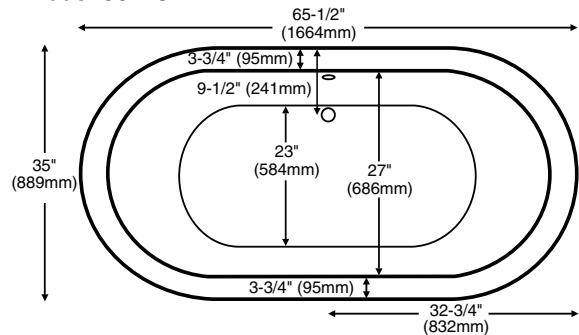
Freestanding tubs use wall-mounted or freestanding faucets. The waste and overflow assembly is concealed between the walls of the tub, eliminating the need for a decorative exposed drain kit.

Dotted Line Represents Bathing Well



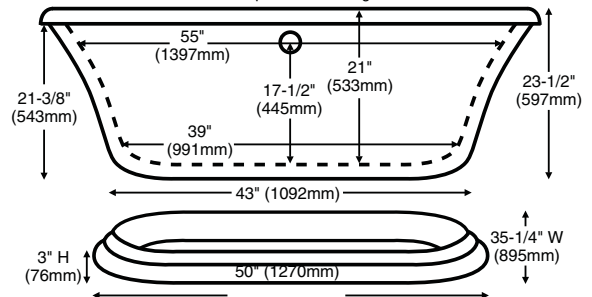
Measurements are $\pm \frac{1}{2}$ " (13mm) and are subject to change without notice. Data herein supersedes all previous prior to publication date shown below.

Archive 5-1/2' x 36" Oval
(1676 x 914mm)
Model 60745



Freestanding tubs use wall-mounted or freestanding faucets. The waste and overflow assembly is concealed between the walls of the tub, eliminating the need for a decorative exposed drain kit.

Dotted Line Represents Bathing Well



Optional one-piece pedestal base.

Measurements are $\pm \frac{1}{2}$ " (13mm) and are subject to change without notice. Data herein supersedes all previous prior to publication date shown below.