

TETSU BATHTUB SERIES

Model 60520	Tetsu Soaker Tub 5' x 32"
Model 60540	Tetsu Soaker Tub 5-1/2' x 36"
Model 60560	Tetsu Soaker Tub 6' x 42"
Model 60580	Tetsu Soaker Tub Oval



INTRODUCTION

Thank you for selecting our Porcher product. To ensure that your installation proceeds smoothly, read these instructions carefully before you begin. Also, review the recommended tools and materials section. Carefully unpack and examine your new plumbing fixture.

TABLE OF CONTENTS:

Safety Instructions.....	Page 2
General Information.....	Page 3
Required Components.....	Page 3
Specifications.....	Page 3
Roughing-in Reference.....	Page 4
Framing and Support Instructions.....	Page 5
Mounting Instructions.....	Page 5
Drain Connection and Assembly.....	Page 6
Care and Cleaning.....	Page 6
Warranty.....	Page 6

IMPORTANT SAFETY INSTRUCTIONS READ AND FOLLOW ALL INSTRUCTIONS!



WARNING: Risk of personal injury. Do not permit children to use this unit without adult supervision.



WARNING: Risk of personal injury. Exercise caution when entering or exiting the bathtub.



WARNING: Risk of hyperthermia and possible drowning. People using medications and/or having adverse medical history should consult a physician before using this product.



WARNING: Risk of personal injury. Do not overfill unit before entering.

Never drop or insert any object into any opening.

Use this unit only for its intended use as described in this manual. Do not use any attachments not recommended by American Standard.

NO FOOD OR ALCOHOLIC BEVERAGES

Avoid using bath immediately after meals. Avoid alcohol consumption before bathing. Alcoholic beverages can cause drowsiness resulting in loss of consciousness or even drowning. The same precautions apply to certain medications.

PREGNANCY

Consult your physician before using to obtain advice on water temperature and immersion time.

SAVE THESE INSTRUCTIONS

General Installation Information

Carefully uncrate and inspect your new bath for any shipping damage. If such damage is found, report it to your vendor immediately. After inspection and during installation, protect the bath from construction damage. **Before installation, and before enclosing with wallboard, tile, etc., the bath must be filled with water to check for leaks that may have resulted from shipping damage or mishandling!**

Fittings (bath filler, shower arm, etc.) are not provided with the bath and must be ordered separately. Framing and enclosing materials are provided by others.

Check for availability of optional Porcher wall tiling bead (required for recess installation).

Protect all finished surfaces of the bathtub during construction and installation using a drop cloth.

List of Required Tools and Supplies:

Tools

- Level
- Tape Measure
- Pipe Wrench
- Slip Joint Pliers
- Screw Driver
- Standard Woodworking Tools
- Personal Safety Equipment
- Caulking Gun

Supplies

- Nails
- Putty
- Caulking (waterproof)
- 1 x 4 Stringers
- Drop Cloth
- Cement, Plaster, Grout

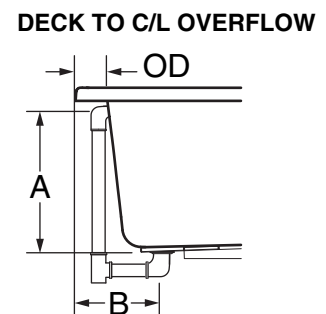
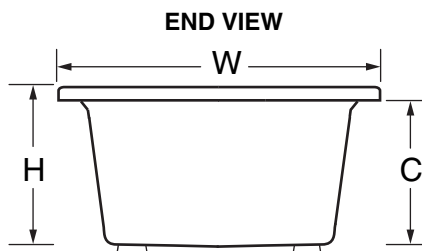
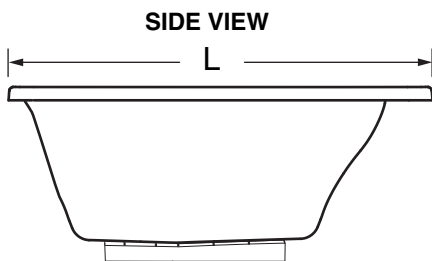
Optional Components (not included):

- Tile Bead Kit (P/N 751755-100)

Required Components (not included):

- Drain (included in Air Massage and Combination systems only)
- Bath Filler

SPECIFICATIONS:



GENERAL SPECIFICATIONS BATH TUBS

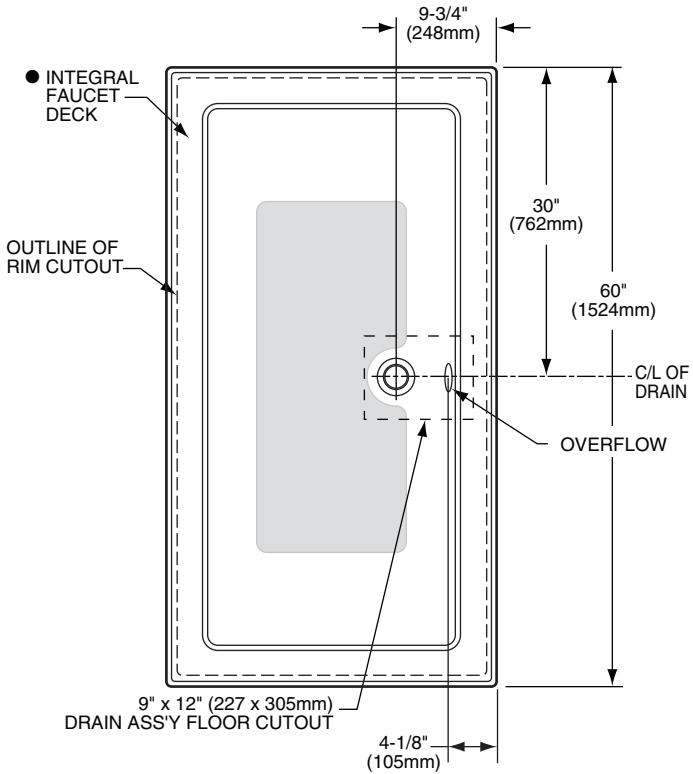
Description	Dimensions L-W-H	Drain / Overflow	Overflow / Deck-OD	Height to Underside of Deck: C	Cut Out Pier G x F	Rough-In Recess E x D	Weight with Water / Floor Loading	Product Weight	Furniture	Gallon to Overflow
Tetsu Soaker Tub 5' x 32"	L 60" W 32" H 23"	A 19-3/4" B 10-1/4"	OD 4-1/8"	C 20" (508 mm)	58-1/2" x 30-1/2"	60-3/16" x 30-1/2"	597 lb. (271 kg)/ (219 kg/sq.m) 45 lb./sq.ft.	57 lb. (26 kg.)	Optional	54 gal. (246 l.)
Tetsu Soaker Tub 5-1/2' x 36"	L 66" W 36" H 23"	A 16-7/8" B 9-3/4"	OD 4-1/8"	C 20" (508 mm)	64-1/2" x 34-1/2"	66-3/16" x 34-1/2"	806 lb. (365 kg)/ (239 kg/sq.m) 49 lb./sq.ft.	65 lb. (29 kg.)	Optional	97 gal. (441 l.)
Tetsu Soaker Tub 6' x 42"	L 72" W 42" H 23"	A 17" B 10-1/4"	OD 4-7/8"	C 20" (508 mm)	70-1/2" x 34-1/2"	70-3/16" x 34-1/2"	1043 lb. (473 kg)/ (243 kg/sq.m) 50 lb./sq.ft.	68 lb. (31 kg.)	Optional	125 gal. (568 l.)
Tetsu Soaker Oval Tub	L 68" W 38" H 23"	A 17-1/4" B 11-1/2"	OD 4-7/8"	C 20" (508 mm)	66" x 36"	68-3/16" x 36-1/2"	680 lb. (308 kg)/ (331 kg/sq.m) 68 lb./sq.ft.	60 lb. (27 kg.)	Not Available	90 gal. (409 l.)

For more details, see specification page per model at: www.porcher-us.com

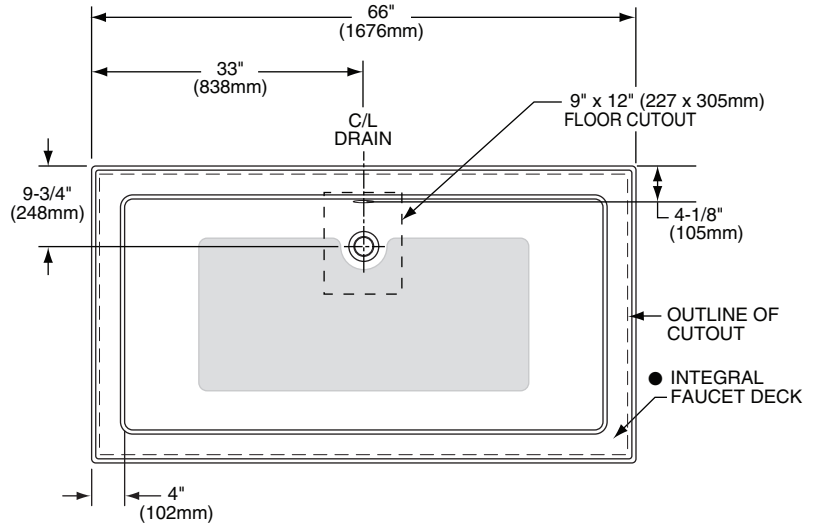
TABLE 1

ROUGHING-IN REFERENCES

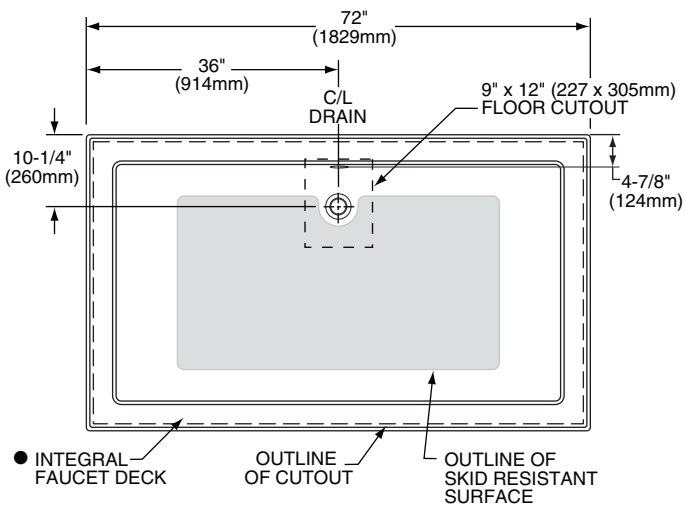
Tetsu 5' Soaker Tub



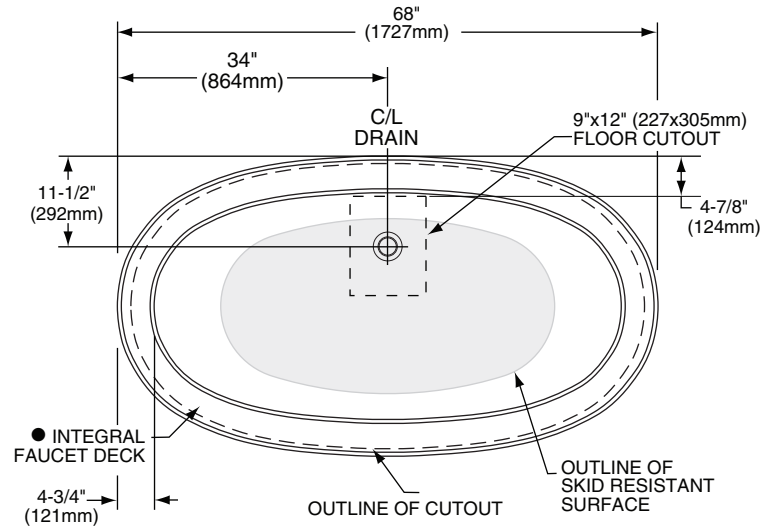
Tetsu 5-1/2' Soaker Tub



Tetsu 6' Soaker Tub



Tetsu Soaker Tub Oval



DIMENSIONS OF FIXTURES ARE NOMINAL AND MAY VARY WITHIN THE RANGE OF TOLERANCES ESTABLISHED BY ANSI STANDARDS Z124.1 AND A112.19.7.

INSTALLATION AND FRAMING INSTRUCTIONS

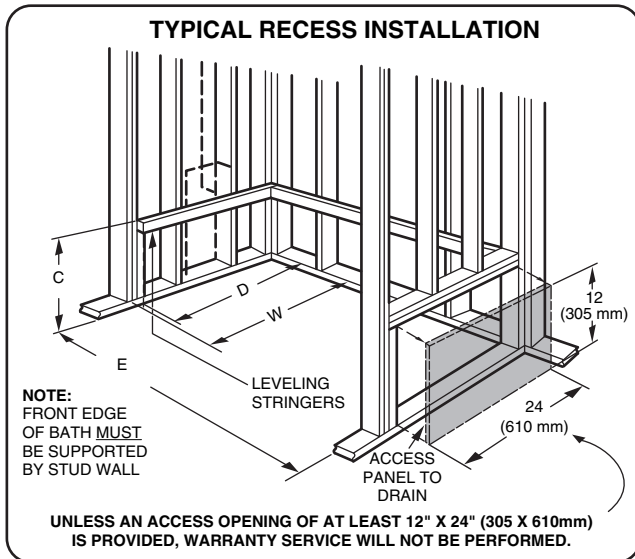
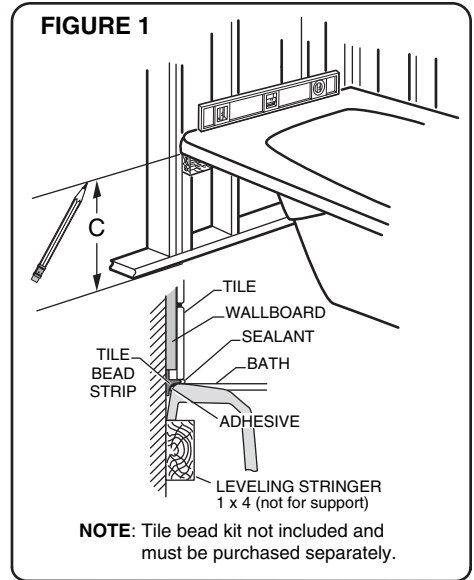
The variety of installations possible for this whirlpool may require framing procedures other than those shown. Locate studs as required. Ensure roughing-in dimensions are proper, plumb and square. Provisions must be made in all installations for an access opening for access to the drain components. The stud wall should not be used as the primary access opening.

1. Position the bath tub into the installation opening and level the deck in both directions. The bath tub must not hang by the rim. The feet should make contact with the floor. Shim feet as necessary. Mark the final position of the underside of the deck by tracing a line on to the studs (see Figure 1).
2. Remove the bath tub and attach a 1 x 4 stringer to the studs, with the top of the stringer touching the traced line.
3. Install drain components to the bath tub following the drain installation instructions. Before replacing your bath tub for final installation, be certain that an opening has been provided in the sub-floor for the drain. See the roughing-in drawing and Table 1 (page 3) for suggested opening size (shaded) and location dimensions. The drain/overflow of the bath extends below the bottom of the bath. Note that this requires a cutout in the floor.

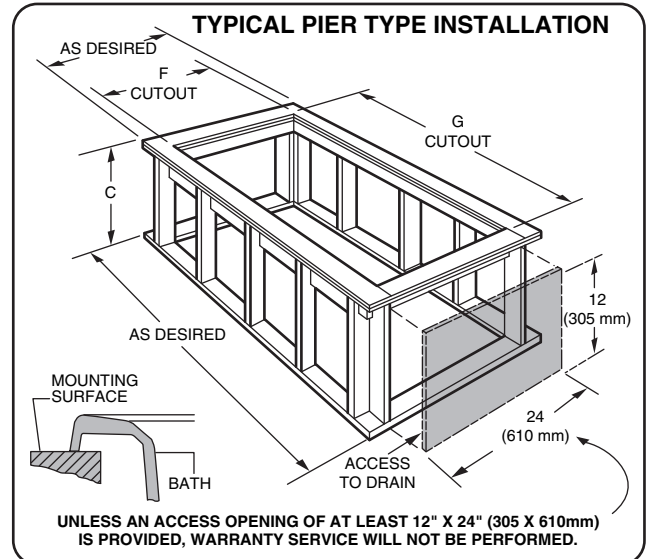
! The floor structure beneath the bath must be able to support a total weight of bath, water, and bather. Refer to Table 1 under total weight for your model.

Ultimately, the bath tub should rest on its feet. Mortar (bedding material) can be used to support the base/feet of the tub. The use of sand as bedding material is not recommended. After the bedding has been poured, and before it sets, position bath within recess until the rim is leveled against the leveling stringers. (See "Figure 1" shown to the right and "Typical Recess Installation" shown below.)

! The rim of the bath **must not** support weight. Allow the bedding material to completely harden before applying weight to the rim or bottom of the bath. Any finish material such as tile or wall board must be self-supporting if it contacts the deck of the bath.



FOR E & D DIMENSIONS SEE TABLE 1 ON PAGE 3.

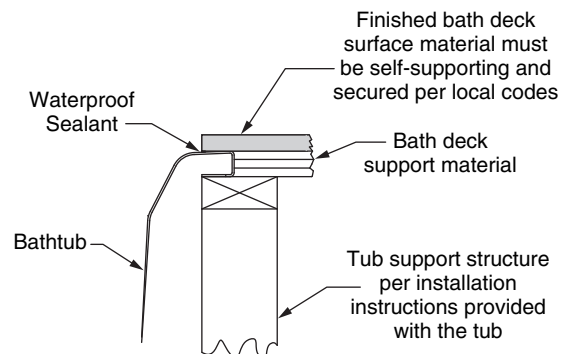


FOR G & F DIMENSIONS SEE TABLE 1 ON PAGE 3.

UNDER DECK MOUNTING INSTRUCTIONS

Please note that care must be taken to protect the surface of the tub during all aspects of the installation. Do not drill or cut the bath deck with the tub directly beneath it as damage to the tub may result.

1. Install the tub per the installation instructions provided with the unit.
2. Prepare the bath deck support structure per the local codes. Note - the bath deck must be self supporting.
3. Cut bath deck to your specifications.
4. Place the bath deck in position and trace the opening on the tub with a soft pencil. Do not drill or cut the bath deck with the tub directly beneath it as damage to the tub may result.
5. Remove the bath deck and apply a generous bead of waterproof sealant on the outer edge of the traced line.
6. Replace the bath deck and secure it into place.
7. Apply additional sealant along the tub and bath deck interface as necessary to ensure a watertight seal.
8. Remove excess sealant per the manufacturer's instructions.



DRAIN CONNECTION AND SYSTEM TEST

Using recommended drain assembly, connect bath tub drain to waste line in accordance with the drain assembly instructions. Tighten all drain joints securely. Check the pump couplings and make sure they are hand-tight. Clean the bath tub and fill with water. Recheck the couplings and make certain that they are not leaking.

POST INSTALLATION CLEAN-UP

Remove all construction debris from bath. Tile grout can be removed with a wooden popsicle stick or tongue depressor. Do not use wire brushes or any other metal implement on bath surface.

Post installation clean-up generally can be completed using warm water and liquid dishwashing detergent. Stubborn dirt or stains may be removed using granular Spic and Span® mixed with water.

Painter's naphtha can be used to remove excess adhesives and/or wet oil-base paint.

AFTERCARE and CLEANING

- The high gloss surface is resistant to impact and chemicals and will retain its lasting luster with proper care and maintenance.
- Always fill the tub with temperate water. Excessively hot water may cause surface damage
- Remove bath mat after use and hang to dry. Allowing bath mat to dry in the tub may cause surface damage.
- Clean after use with a mild liquid household detergent cleaner. Do not use Lestoil, Lysol Disinfectant (spray or concentrate), or Lysol Basin, Tub and Tile Cleaner, Windex, Mr. Clean, Dow Disinfectant Bathroom Cleaner, or cleaning products in aerosol cans.

HARSH CHEMICALS SHOULD NEVER BE USED ON ACRYLIC SURFACES.

- Do not use wire brushes, knives or sharp objects to remove stains, cigarette tar deposits, or other surface blemishes.
- Abrasive cleaners or powders must not be used, since they will dull the surface. If the glossy surface loses its sheen, dulled areas can be restored by rubbing with a white "automotive type" polishing compound and waxing with a "liquid wax."
- **Do not wax areas where you walk or stand.**
- Do not allow nail polish remover, acetone, dry cleaning fluid, paint remover or other solvents to come into contact with the surface.
- Clean the surrounding surface immediately after using caustic drain cleaners.
- Burning cigarettes will damage the surface.
- Should damage to the fixture occur, repairs can be made quickly and easily. Your distributor or builder can provide details.
- Do not permit drain cleaner to enter the circulation system.

FIXTURE LIMITED WARRANTY

If inspection of this Porcher plumbing product, within one year after its initial purchase, confirms that it is defective in materials or workmanship, Porcher will repair or at its option, exchange the product for a similar model. This warranty applies to the original customer only and does not cover gold and platinum or custom hand painting. The refiring of any china product by purchaser will null and void this warranty.

This limited warranty does not apply to local building code compliance. Since local building codes vary considerably, the purchaser of this product should check with a local building or plumbing contractor to insure local code compliance before installation.

This warranty shall be void if the product has been moved from its initial place of installation; if it has been subjected to faulty maintenance, abuse, misuse, accident or other damages; if it was not installed in accordance with Porcher's instructions; or if it has been modified in a manner inconsistent with the product as shipped by Porcher.

Porcher's option to repair or exchange the product under this warranty does not cover any labor or other costs of removal or installation, nor shall Porcher be responsible for any other incidental or consequential damages attributable to a product defect or to the repair or exchange of a defective product, all of which are expressly excluded from this warranty. (Some states or provinces do not allow the exclusion or limitation of implied warranties, so this exclusion may not apply to you.)

This warranty gives you specific legal rights. You may have other statutory rights that vary from state to state or from province to province, in which case this warranty does not affect such statutory rights.

For customer inquiries:

In the United States:

Porcher
P.O. Box 6820
Piscataway, New Jersey, 08855
Attention: Director of Consumer Affairs

For residents of the United States, warranty information may also be obtained by calling the following toll free number: (800) 359-3261

www.porcher-us.com

In Canada:

Porcher
2480 Stanfield Road
Mississauga, Ontario
Canada L4Y 1S2

Toll Free: (800) 387-0369

www.porcher.ca

In Mexico:

Porcher
Planta Santa Clara
Via Morelos #330
Santa Clara Coatitla
Ecatepec de Morelos 55540,
Estado de Mexico, Mexico