



INSTALLATION AND OPERATION MANUAL

TETSU	5' x 32"	MODEL 60520
TETSU	5-1/2' x 36"	MODEL 60540
TETSU	6' x 42"	MODEL 60560
TETSU	OVAL	MODEL 60580
L'EXPRESSION	6'	MODEL 60420
CALLA	OVAL	MODEL 60070

BATHTUBS, WHIRLPOOLS, AIR BATHS AND COMBINATION TUBS WITH OPTIONAL CHROMATHERAPY

THANK YOU...

for selecting an Porcher bath. Your new bath is shipped to you after careful inspection. The whirlpool and air bath versions are completely assembled with pump/blower and system piping. All you need to finish the installation are your selected fittings and electrical connections.

To ensure maximum performance and pleasure from this product, please follow the instructions and cautions.

For questions or service issues, please call Technical Support 1-(800) 359-3261.
Please do not contact or return product to the store.

© Porcher 2010







All product names listed herein are trademarks of Porcher unless otherwise noted.

TABLE OF CONTENTS:

Cover.....	Page 1
Table of Contents.....	Page 2
Safety Instructions Notice.....	Page 3
Installation and Framing Instructions/ Post Installation Clean-up.....	Page 4
Roughing-in References for Recess Type Installations.....	Page 5
Roughing-in References for Pier Type Installations.....	Page 6
Under Deck Mounting Instructions.....	Page 6
Roughing-in References for All Model Series.....	Page 7 - 10
Electrical Installation Instructions.....	Page 11 - 16
Whirlpool Heater Operation.....	Page 16
Air Bath Drain Installation	Page 17 - 21
Remote Air Blower Location Option.....	Page 22- 23
Operation: Single Speed Whirlpool.....	Page 24
Operation: EcoSilent Whirlpool with Lights.....	Page 25
Operation: Air Bath.....	Page 26
Operation: Air Bath with Lights.....	Page 27 - 28
Operation: Combination Tub with Lights.....	Page 29 - 30
Cleaning and Maintenance.....	Page 31
Warranty.....	Page 32

IMPORTANT SAFETY INSTRUCTIONS

READ AND FOLLOW ALL INSTRUCTIONS!

-  **WARNING: Risk of personal injury.** Do not permit children to use this bathtub without adult supervision. Never drop or insert any object into any opening. Do not operate this unit without the guard over the suction fitting.
-  **WARNING: Risk of electric shock.** Do not permit electrical appliances near any bathtub when bathtub contains water.
-  **WARNING: Risk of hyperthermia and possible drowning.** People using medications and/or having adverse medical history should consult a physician before using this product.
-  **WARNING: Risk of personal injury.** Do not overfill bathtub before entering. Entering tub when filled more than 2/3 can cause overflow and slippery conditions. Exercise caution when entering and exiting.
-  **WARNING: No Food or Alcoholic Beverages.** Use of your bathtub immediately after meals is not recommended. Avoid alcohol consumption before or during bathing. Alcoholic beverages can cause drowsiness or hyperthermia resulting in loss of consciousness or even drowning.
-  **WARNING: Pregnancy.** If you are or think you may be pregnant, consult your physician before using the bathtub.

Use this unit only for its intended use as described in this manual.
Do not use any attachments not recommended by American Standard.

The unit must be connected only to a supply circuit that is properly protected by a ground-fault circuit-interrupter (GFCI). Such a GFCI should be provided by the installer and should be tested on a routine basis. To test the GFCI, push the test button. The GFCI should interrupt power. Push the reset button. Power should be restored. If the GFCI fails to operate in this manner, the GFCI is defective. If the GFCI interrupts power to the bathtub without the test button being pushed, a ground current is flowing, indicating the possibility of an electric shock. Do not use this air bath. Disconnect the air bath and have the problem corrected by a licensed electrician before using.

SAVE THESE INSTRUCTIONS

Installation and Framing Instructions

Each bath arrives ready for installation, completely equipped with the pump/blower electronics and plumbing necessary for operation. However, a drain/overflow kit is required for each bath and it is not included.

The variety of installations for this bath may require framing procedures other than those shown. Locate studs as required. Ensure roughing-in dimensions are proper, plumb, and square.

- ⚠ Remove the bath from the carton. Retain the shipping carton until satisfactory inspection of the product has been made. Do not lift the bath by the plumbing at any time; handle by the shell only.
- ⚠ All bath units are factory tested for proper operation and watertight connections prior to shipping. Prior to installation, the bath must be filled with water and operated to check for leaks that may have resulted from shipping damage or mishandling.
- ⚠ The sumps of these baths are supported by feet and no additional sump support is required. Once the bath is in place, the feet should be shimmed and secured accordingly so that the rim of the bath contacts the stringer or pier but supports no weight.
- ⚠ Provisions must be made in all installations for an access opening for servicing the bath pump/blower. Unless an access opening of at least 12" x 24" (305mm x 610mm) is provided, warranty service will not be performed. It is strongly recommended that an additional opening be provided for access to drain components.
- ⚠ Each bath has a nominal length (L), width (W), and Height (H) along with a rim height. Unless otherwise noted in the following rough-in references, assume that the nominal tolerances are as much as +/-1/4 inch (6mm). Therefore, it is strongly recommended that the installer build the surrounding structure after receiving the actual bath. Structural measurements should be verified against the actual bath received to ensure proper fit.

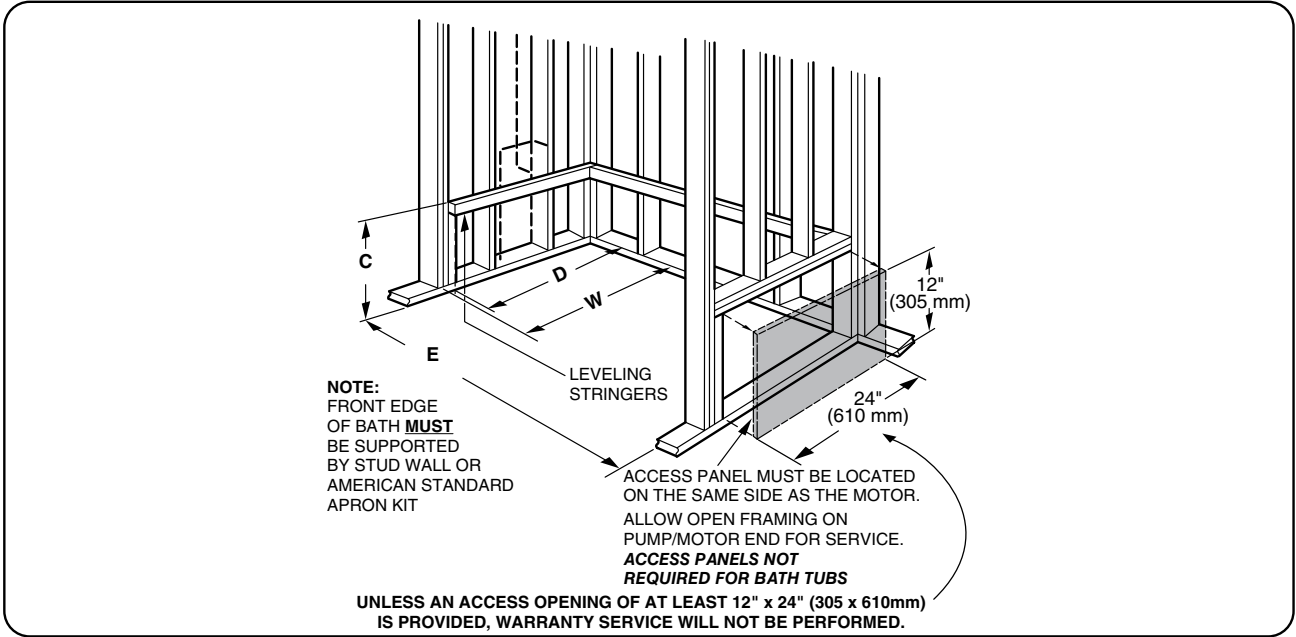
POST INSTALLATION CLEAN-UP

Remove all construction debris from bath. Tile grout can be removed with a wooden popsicle stick or tongue depressor. Do not use wire brushes or any other metal implement on bath surface

Post installation clean-up generally can be completed using warm water and liquid dishwashing detergent. Stubborn dirt or stains may be removed using granular Spic and Span[®] mixed with water.

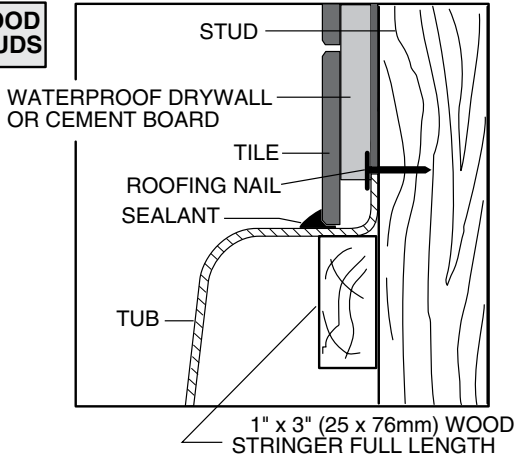
Painter's naphtha can be used to remove excess adhesives and/or wet oil-base paint.

ROUGH-IN REFERENCES FOR RECESS TYPE INSTALLATIONS

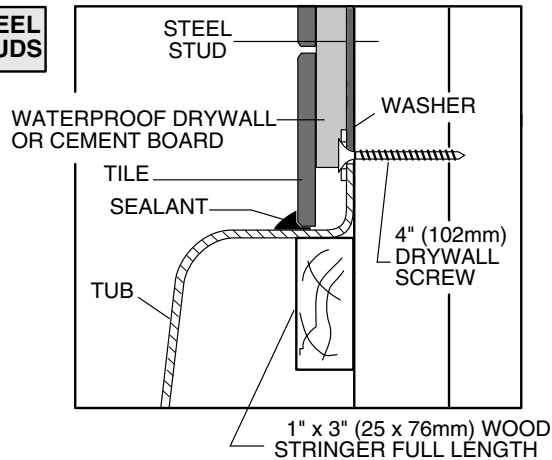


TYPICAL TILE FLANGE INSTALLATION

WOOD STUDS

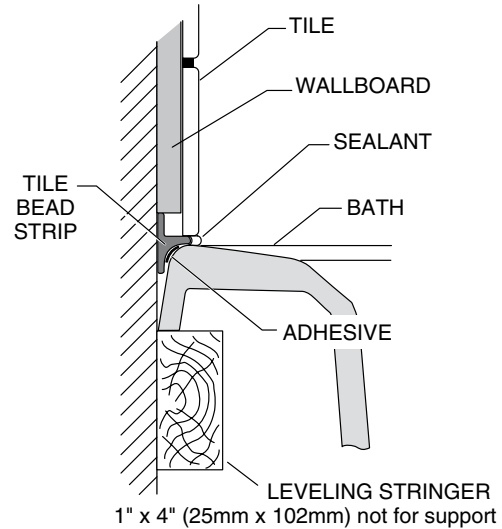


STEEL STUDS



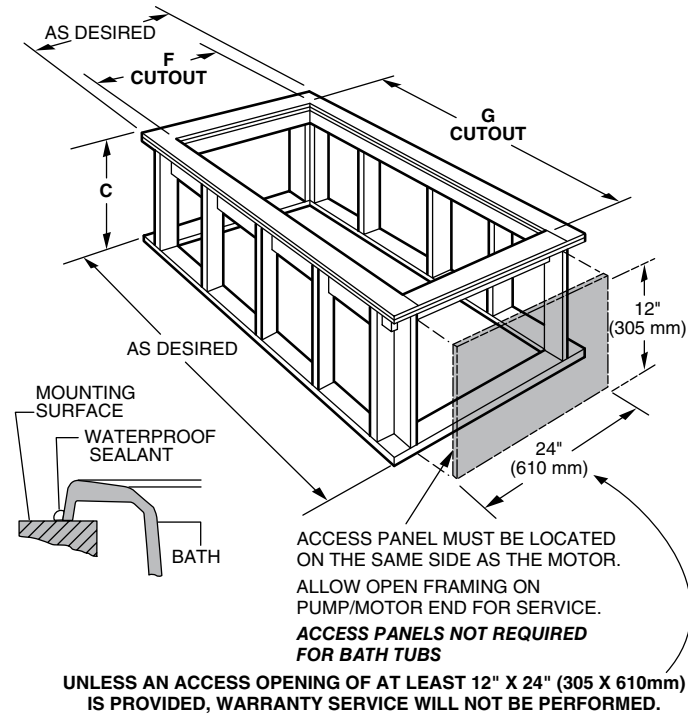
SECURE THE BATH TO THE STUDS AS SHOWN FOR WOOD OR STEEL STUD CONSTRUCTION.

TYPICAL TILE BEAD INSTALLATION



NOTE: Tile bead kit not included and must be purchased separately.

ROUGH-IN REFERENCES FOR PIER TYPE INSTALLATIONS

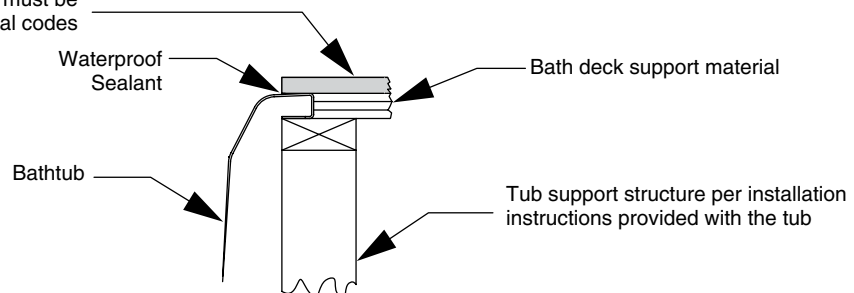


UNDER DECK MOUNTING INSTRUCTIONS

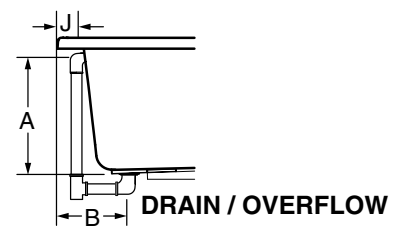
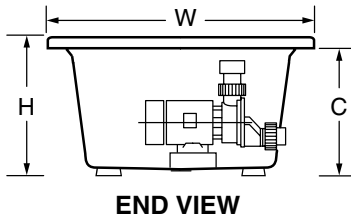
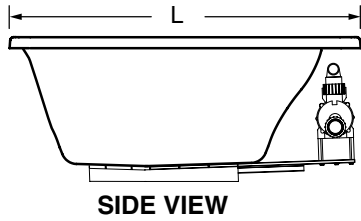
Please note that care must be taken to protect the surface of the tub during all aspects of the installation. Do not drill or cut the bath deck with the tub directly beneath it as damage to the tub may result.

1. Install the tub per the installation instructions provided with the unit.
2. Prepare the bath deck support structure per the local codes. Note - the bath deck must be self supporting.
3. Cut bath deck to your specifications.
4. Place the bath deck in position and trace the opening on the tub with a soft pencil. Do not drill or cut the bath deck with the tub directly beneath it as damage to the tub may result.
5. Remove the bath deck and apply a generous bead of waterproof sealant on the outer edge of the traced line.
6. Replace the bath deck and secure it into place.
7. Apply additional sealant along the tub and bath deck interface as necessary to ensure a watertight seal.
8. Remove excess sealant per the manufacturer's instructions.

Finished bath deck surface material must be self-supporting and secured per local codes



SPECIFICATIONS:



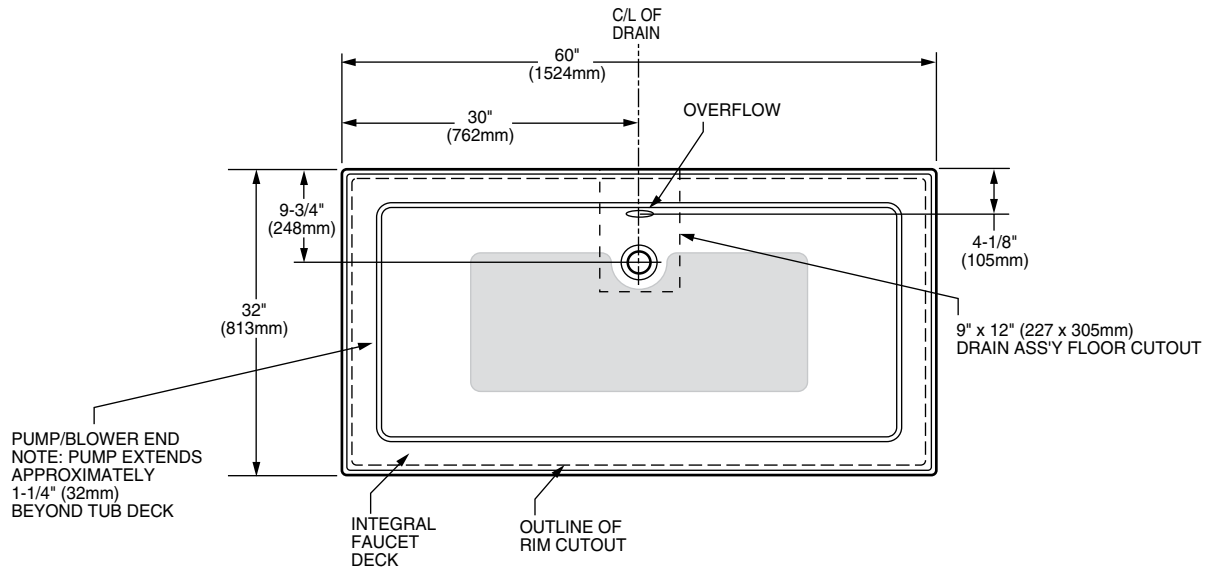
GENERAL SPECIFICATIONS FOR TETSU WHIRLPOOLS AND BATH TUBS

Description	Dimensions L-W-H	Drain / Overflow	Height to Underside of Deck: C	Cut Out Pier G x F	Rough-In Recess E x D	Tab Edge to Centerline Overflow: J	Weight with Water / Floor Loading	Product Weight	Gallon to Overflow	Whirlpool Operating Volume
60520 Tetsu 5' x 32"	L 60" (1524mm) W 32" (813mm) H 23" (584mm)	A 16-3/4" (425mm) B 10-1/4" (260mm)	C 20" (508mm)	58-1/2" (1486mm) x 30-1/2" (775mm)	60-3/16" (1529mm) x 30-1/2" (775mm)		597 lb. (271 kg)/ 45 lb./sq.ft. (219 kg/sq.m)	57 lb. (26 kg.)	54 gal. (246 l.)	
60540 Tetsu 5-1/2' x 36"	L 66" (1676mm) W 36" (914mm) H 23" (584mm)	A 16-7/8" (429mm) B 9-3/4" (248mm)	C 20" (508mm)	64-1/2" (1638mm) x 34-1/2" (876mm)	66-3/16" (1681mm) x 34-1/2" (876mm)		806 lb. (365 kg)/ 49 lb./sq.ft. (239 kg/sq.m)	65 lb. (29 kg.)	97 gal. (441 l.)	
60580 Tetsu Oval	L 68" (1727mm) W 38" (965mm) H 23" (584mm)	A 17-1/4" (438mm) B 11-1/2" (292mm)	C 20" (508mm)	Template Provided	68-3/16" (1732mm) x 36-1/2" (927mm)		680 lb. (308 kg)/ 68 lb./sq.ft. (331 kg/sq.m)	60 lb. (27 kg.)	90 gal. (409 l.)	
60560 Tetsu 6' x 42"	L 72" (1829mm) W 42" (1067mm) H 23" (584mm)	A 17" (432mm) B 10-1/4" (260mm)	C 20" (508mm)	70-1/2" (1791mm) x 40-1/2" (1029mm)	72-3/16" (1834mm) x 40-1/2" (1029mm)		1043 lb. (473 kg)/ 50 lb./sq.ft. (243 kg/sq.m)	68 lb. (31 kg.)	125 gal. (568 l.)	
60420 L'Expression 6' x 42"	L 72-1/8" (1832mm) W 32" (813mm) H 23" (584mm)	A 16" (406mm) B 7" (178mm)	C 21" (533mm)	Template Provided	72-5/16" (1837mm) x 30-1/2" (775mm)		605 lb. (272 kg)/ 32 lb./sq.ft. (154 kg/sq.m)	130 lb. (59 kg.)	57 gal. (216 l.)	38 gal. (144 l.)
60070 Calla Oval	L 69-1/2" (1765mm) W 34-3/4" (883mm) H 24" (635mm)	A 19" (483mm) B 9-3/4" (248mm)	C 22" (559mm)	Template Provided	As Desired		657 lb. (298 kg)/ 39 lb./sq.ft. (190 kg/sq.m)	107 lb. (49 kg.)	66 gal. (250 l.)	49 gal. (185 l.)

TABLE 1

ROUGH-IN REFERENCES

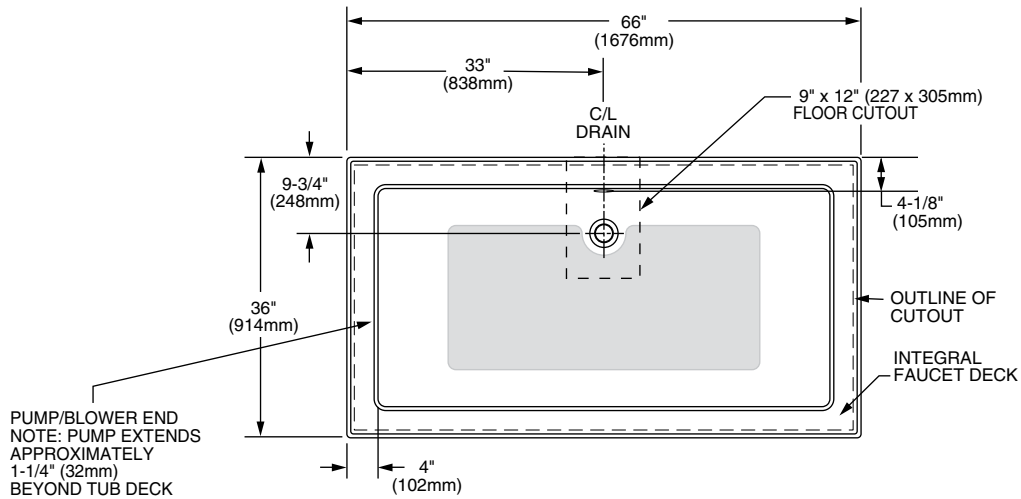
MODEL SERIES 60520



NOTE: PROVIDE ACCESS TO PUMP/BLOWER FOR SERVICE ON ALL INSTALLATIONS. SEE INSTALLATION AND FRAMING INSTRUCTIONS.

REVIEW DRAIN INSTALLATION DETAILS IN THIS DOCUMENT TO FULLY UNDERSTAND FLOOR CUTOUT REQUIREMENTS. AIR BATHS INCLUDE DRAIN. ALTERNATE DRAINS CANNOT BE USED ON AIR BATHS.

MODEL SERIES 60540

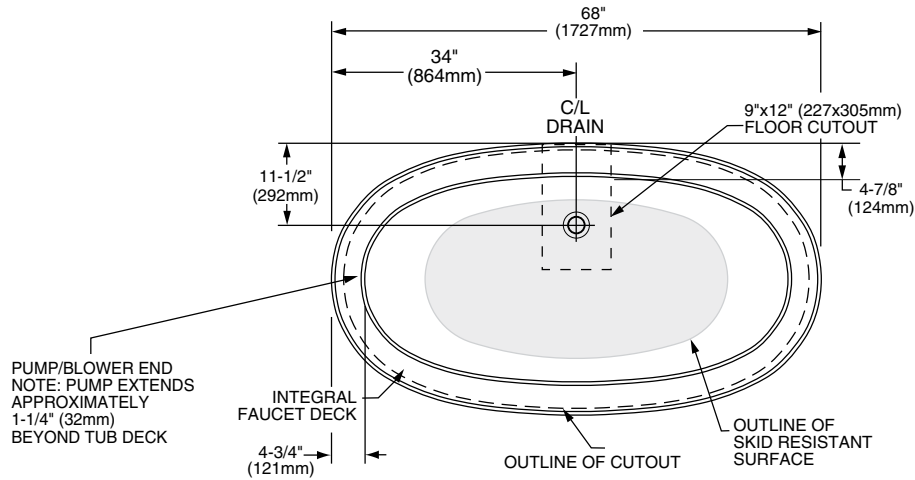


NOTE: PROVIDE ACCESS TO PUMP/BLOWER FOR SERVICE ON ALL INSTALLATIONS. SEE INSTALLATION AND FRAMING INSTRUCTIONS.

REVIEW DRAIN INSTALLATION DETAILS IN THIS DOCUMENT TO FULLY UNDERSTAND FLOOR CUTOUT REQUIREMENTS. AIR BATHS INCLUDE DRAIN. ALTERNATE DRAINS CANNOT BE USED ON AIR BATHS.

ROUGH-IN REFERENCES

MODEL SERIES 60580

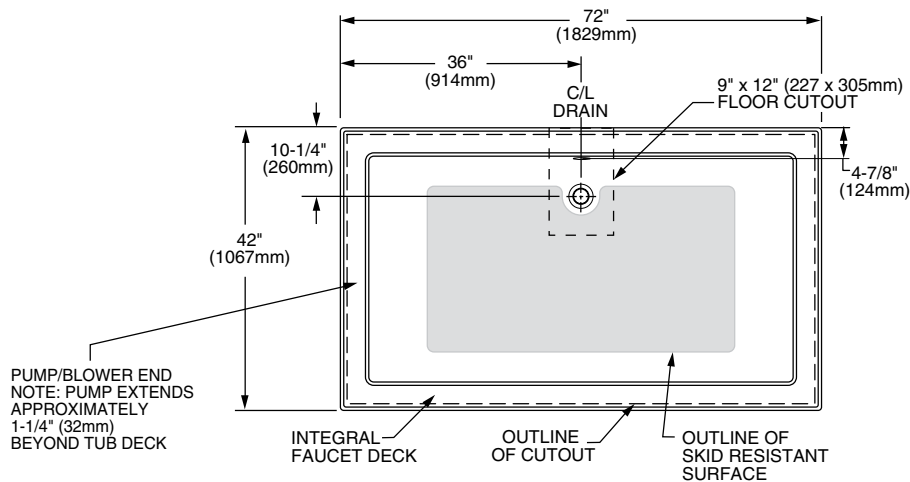


USE CUT-OUT TEMPLATE SUPPLIED WITH PACKAGED TUB

NOTE: PROVIDE ACCESS TO PUMP/BLOWER FOR SERVICE ON ALL INSTALLATIONS. SEE INSTALLATION AND FRAMING INSTRUCTIONS.

REVIEW DRAIN INSTALLATION DETAILS IN THIS DOCUMENT TO FULLY UNDERSTAND FLOOR CUTOUT REQUIREMENTS. AIR BATHS INCLUDE DRAIN. ALTERNATE DRAINS CANNOT BE USED ON AIR BATHS.

MODEL SERIES 60560

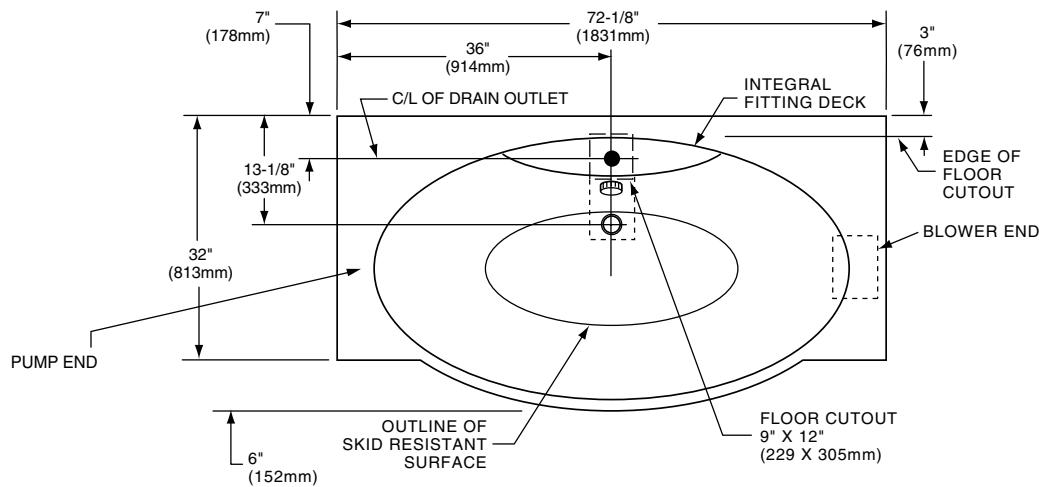


NOTE: PROVIDE ACCESS TO PUMP/BLOWER FOR SERVICE ON ALL INSTALLATIONS. SEE INSTALLATION AND FRAMING INSTRUCTIONS.

REVIEW DRAIN INSTALLATION DETAILS IN THIS DOCUMENT TO FULLY UNDERSTAND FLOOR CUTOUT REQUIREMENTS. AIR BATHS INCLUDE DRAIN. ALTERNATE DRAINS CANNOT BE USED ON AIR BATHS.

ROUGH-IN REFERENCES

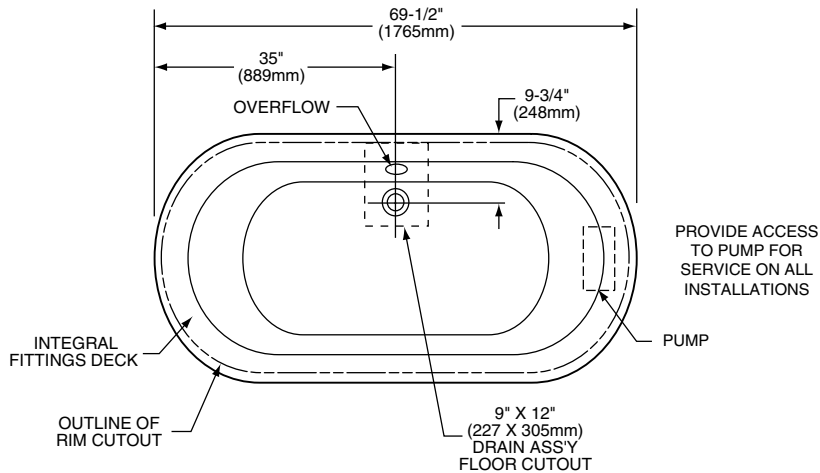
MODEL SERIES 60420



NOTE: PROVIDE ACCESS TO PUMP/BLOWER FOR SERVICE ON ALL INSTALLATIONS. SEE INSTALLATION AND FRAMING INSTRUCTIONS.

REVIEW DRAIN INSTALLATION DETAILS IN THIS DOCUMENT TO FULLY UNDERSTAND FLOOR CUTOUT REQUIREMENTS. AIR BATHS INCLUDE DRAIN. ALTERNATE DRAINS CANNOT BE USED ON AIR BATHS.

MODEL SERIES 60070



NOTE: PROVIDE ACCESS TO PUMP/BLOWER FOR SERVICE ON ALL INSTALLATIONS. SEE INSTALLATION AND FRAMING INSTRUCTIONS.

REVIEW DRAIN INSTALLATION DETAILS IN THIS DOCUMENT TO FULLY UNDERSTAND FLOOR CUTOUT REQUIREMENTS. AIR BATHS INCLUDE DRAIN. ALTERNATE DRAINS CANNOT BE USED ON AIR BATHS.

ELECTRICAL INSTALLATION INSTRUCTIONS

All wiring must be performed by a licensed electrician in accordance with the national electrical code and all other applicable codes.

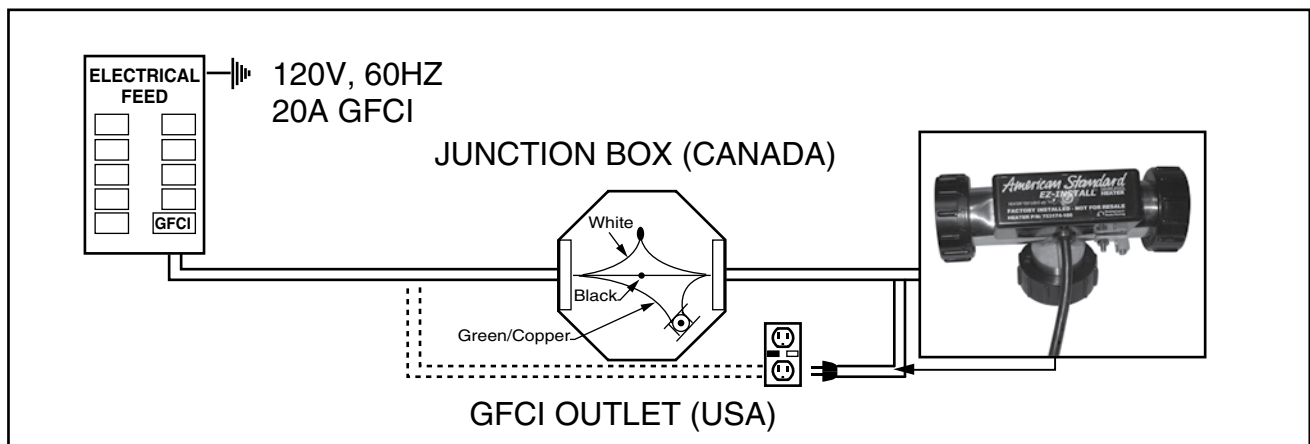


WARNING: When using electrical products, basic precautions should always be observed, including the following:

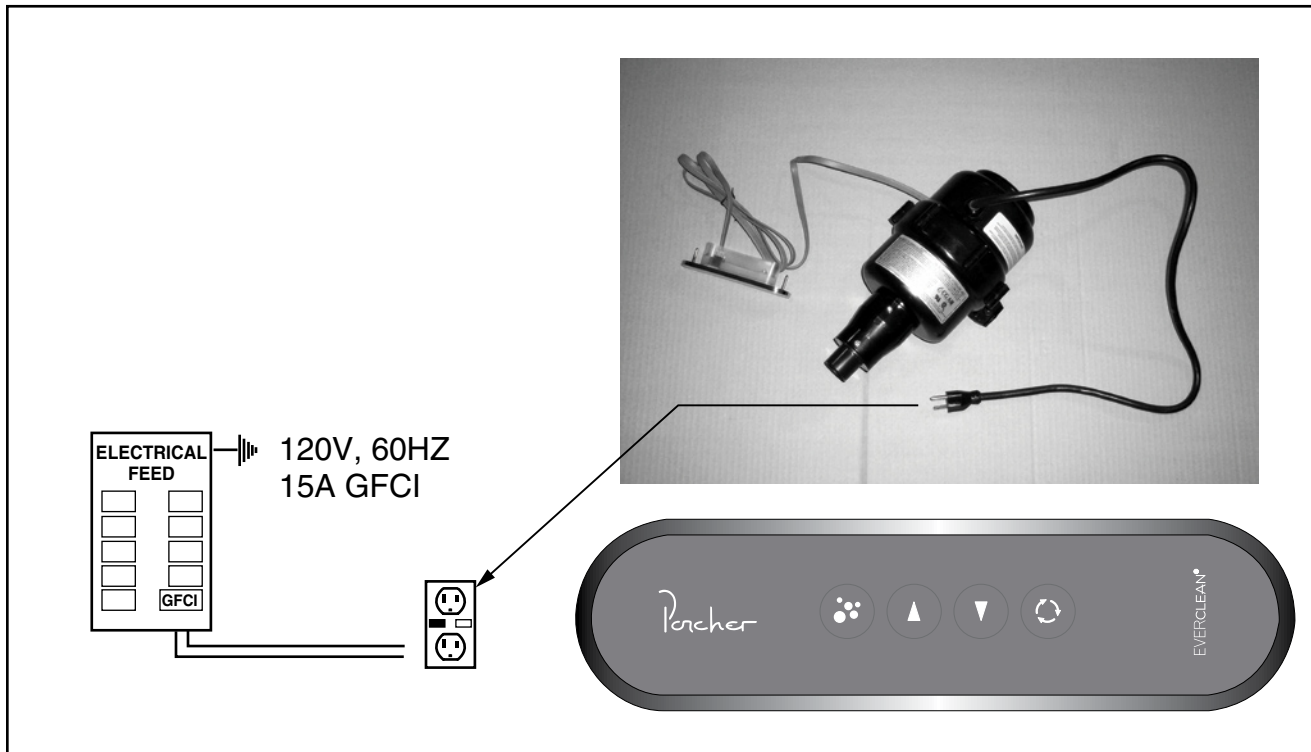
1. **DANGER: RISK OF ELECTRIC SHOCK!** Connect only to a circuit protected by a ground-fault circuit interrupter.
2. Grounding is required. The unit should be installed by a licensed electrician and grounded.
3. Permit access for servicing motor as noted.
4. All building materials and wiring should be routed away from the pump body and heater (if equipped).

Refer to the schematics below for the appropriate bath electrical installation. Dedicated 15A circuits with GFCI (Ground Fault Circuit Interrupter) protection are required. **The whirlpool heater (12.5A max) should use a 20A GFCI circuit and cannot be placed on the same circuit as the whirlpool pump.**

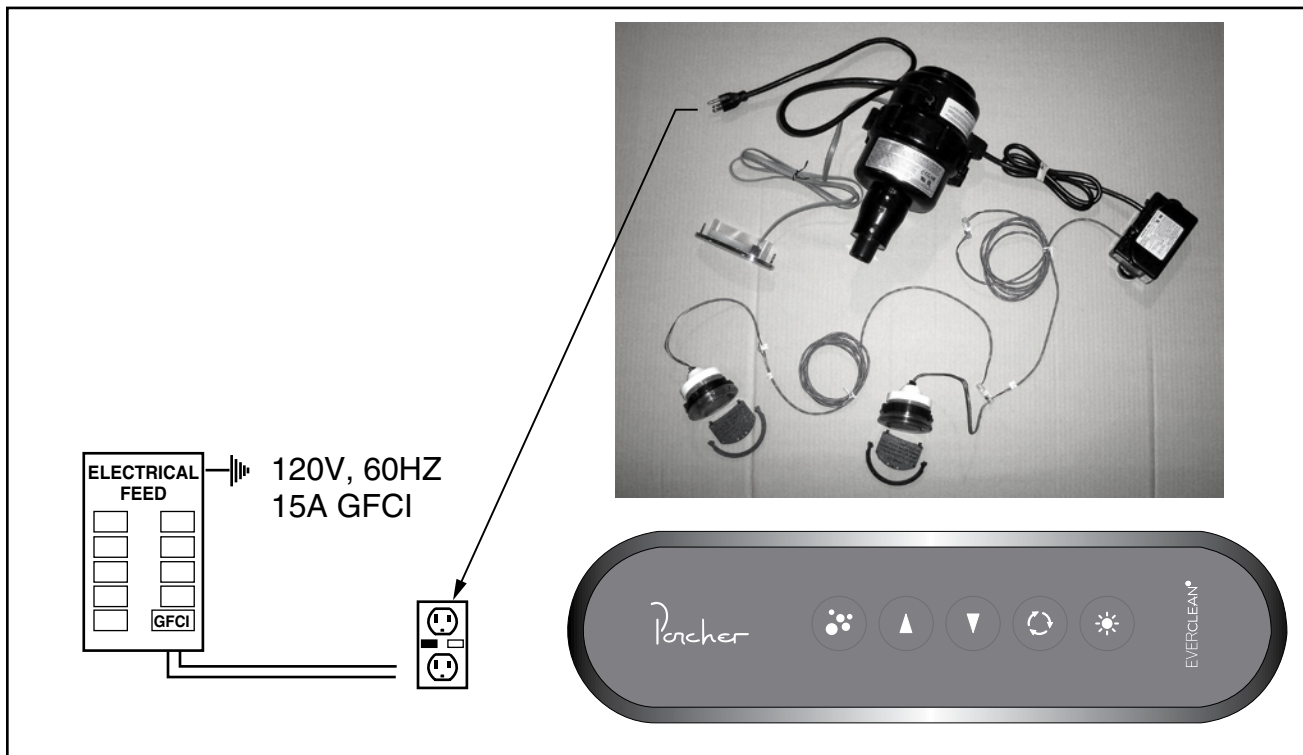
At initial start-up with the power ON, push the GFCI test button. The reset button should pop out. Push this button in to reset. If the GFCI fails to operate in this manner, there is a ground fault or malfunction, indicating the possibility of electrical shock. Turn off the power and do not use until the source of the problem has been identified and corrected.



ELECTRICAL INSTALLATION INSTRUCTIONS (continued)

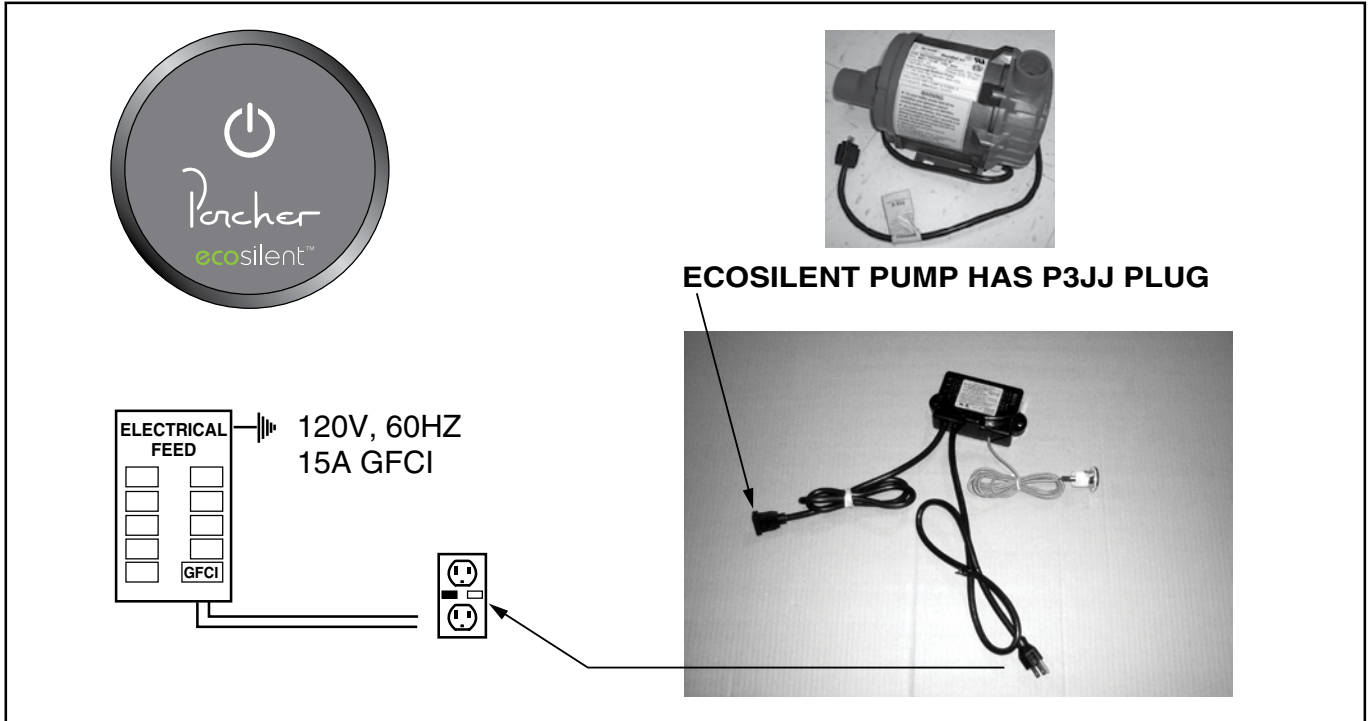


ELECTRONIC ACTIVATED AIR BATH (4 BUTTON PANEL)

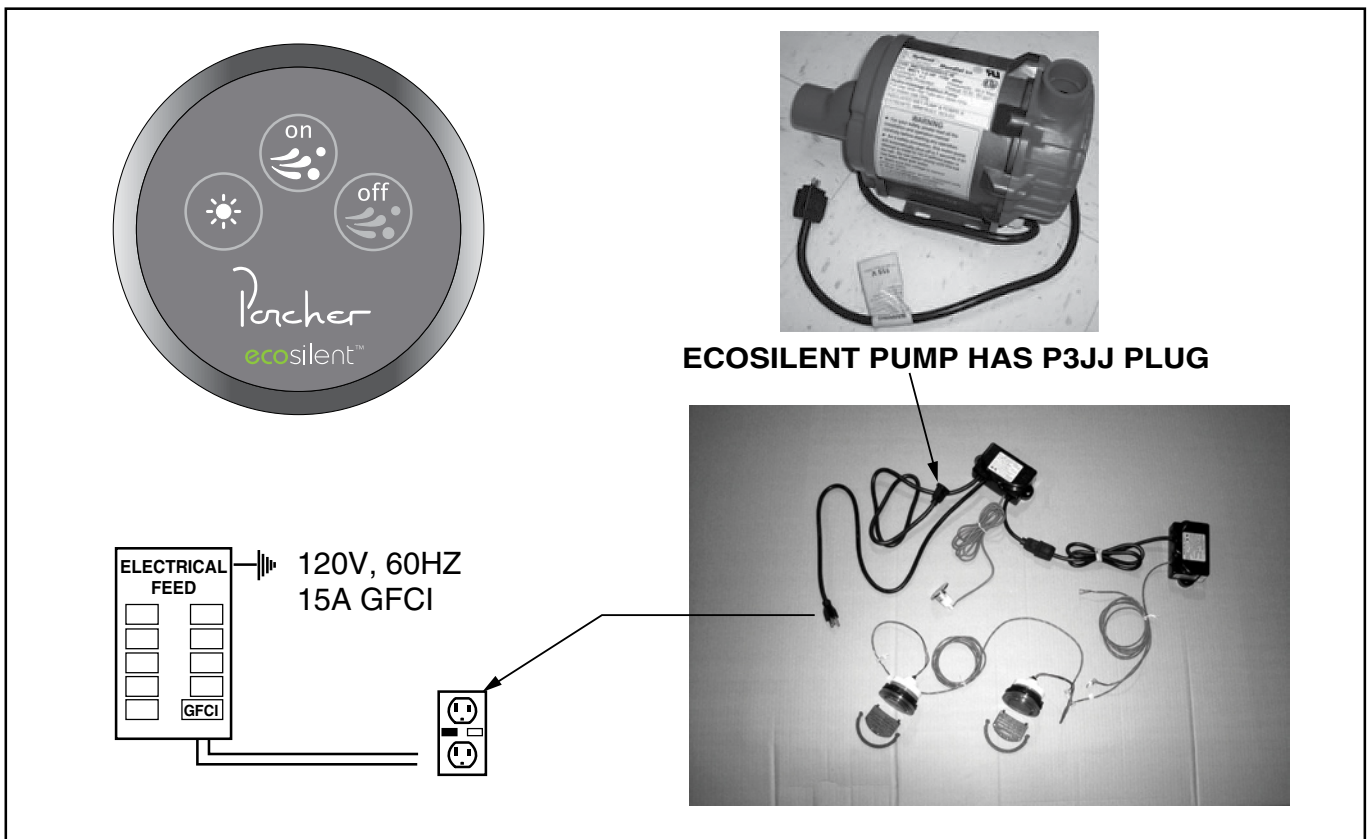


ELECTRONIC ACTIVATED AIR BATH WITH LIGHTS (5 BUTTON PANEL)

ELECTRICAL INSTALLATION INSTRUCTIONS (continued)



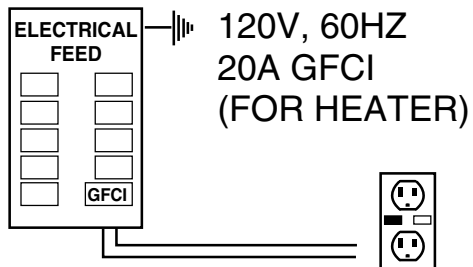
ELECTRONIC ACTIVATED ECOSILENT WHIRLPOOL (1 BUTTON PANEL)



ELECTRONIC ACTIVATED ECOSILENT WHIRLPOOL WITH LIGHTS (3 BUTTON PANEL)

ELECTRICAL INSTALLATION INSTRUCTIONS (continued)

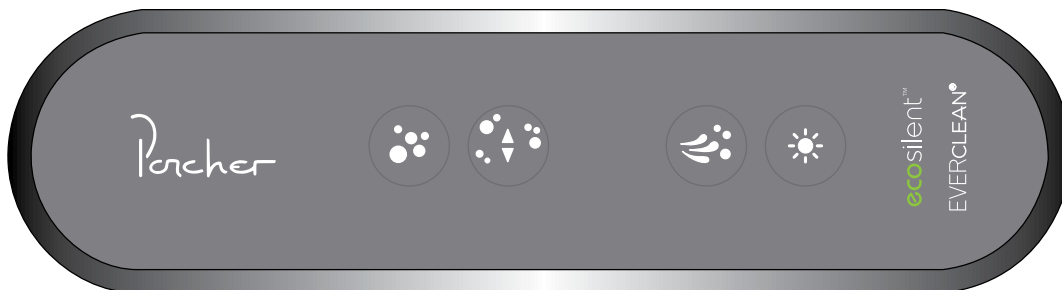
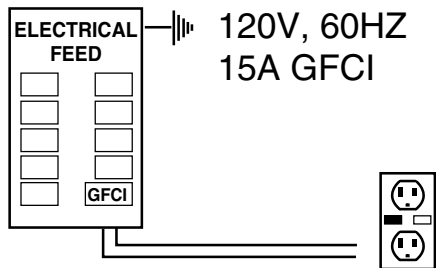
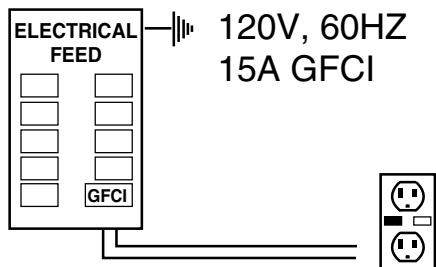
USE THREE GFCI OUTLETS (USA MARKET)



**WHIRLPOOL HEATER IS
FACTORY INSTALLED ON
COMBINATION TUBS**



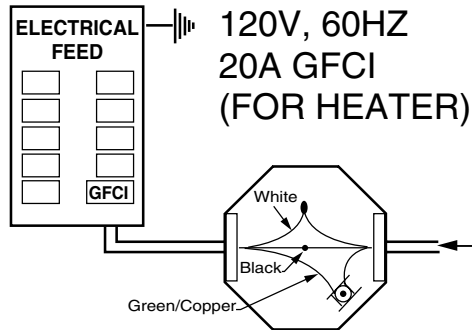
**ECOSILENT PUMP
HAS P3JJ PLUG**



ELECTRONIC ACTIVATED COMBINATION TUB WITH LIGHTS (4 BUTTON PANEL)

ELECTRICAL INSTALLATION INSTRUCTIONS (continued)

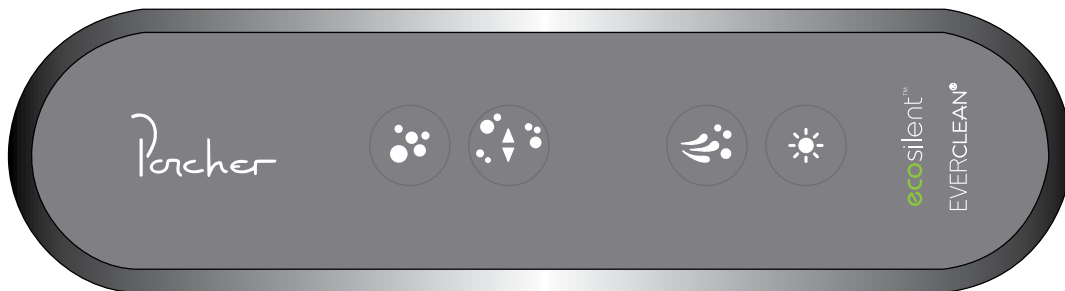
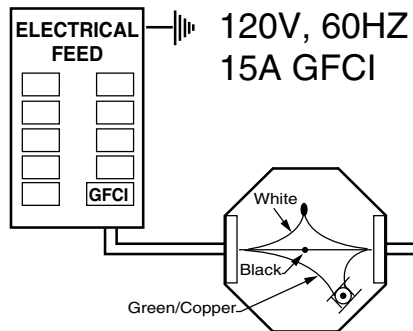
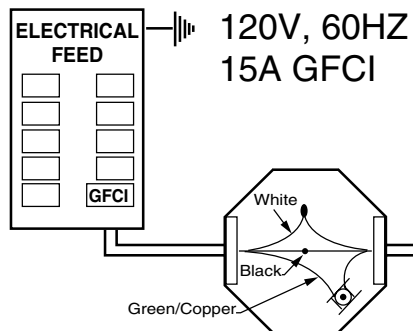
USE THREE JUNCTION BOXES (CANADA MARKET)



**WHIRLPOOL HEATER IS
FACTORY INSTALLED ON
COMBINATION TUBS**



**ECOSILENT PUMP
HAS P3JJ PLUG**



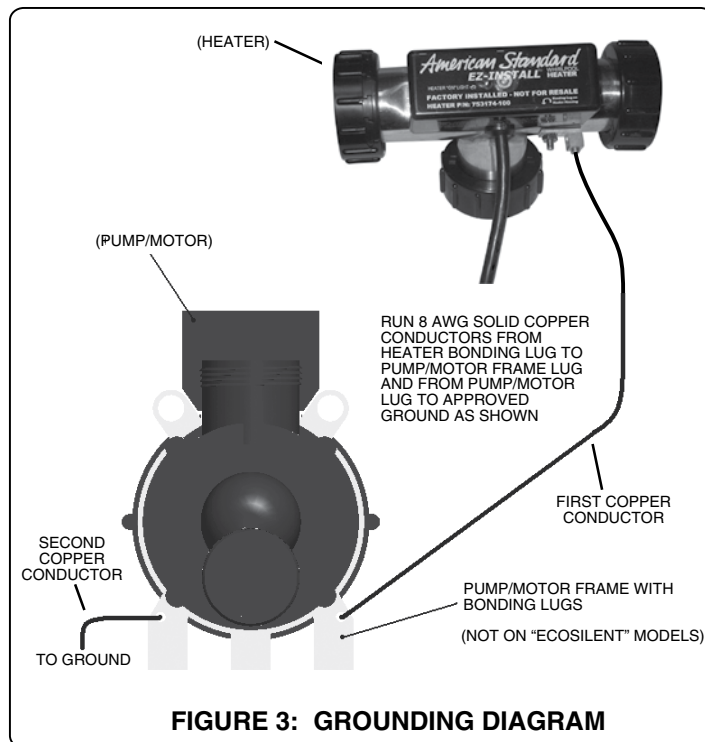
ELECTRONIC ACTIVATED COMBINATION TUB WITH LIGHTS (4 BUTTON PANEL)

ELECTRICAL INSTALLATION INSTRUCTIONS (continued)

Ensure the heater and pump are properly GROUNDED and BONDED as required. Attach the 8 AWG solid copper conductor supplied with the heater from the heater bonding lug to the motor frame bonding lug as shown in Figure 3.

The conductor is secured to the lugs using set screws. The motor frame shall have a second 8 AWG solid copper conductor connected from the frame bonding lug to the home's electrical panel or approved local bonding point as shown in Figure 3.

NOTE: For all "EcoSilent" pump configurations, the pump housing is plastic. Therefore, the first copper conductor attached to the heater must be grounded directly to the home's electrical panel or approved local bonding point. this type of configuration does not need the second copper conductor shown in Figure 3.



WHIRLPOOL HEATER OPERATION

WARNING: Prior to operation, review the Important Safety Instructions listed at the beginning of this instruction manual.

Once the heater is installed and the whirlpool pump is operating, the heater is totally automatic. The heater will help maintain the temperature of the water in the bath.

Pressure Switch

The heater is equipped with a preset pressure switch. The pump must be running with water flowing in the whirlpool to allow the heater to turn on.

Indicator Light

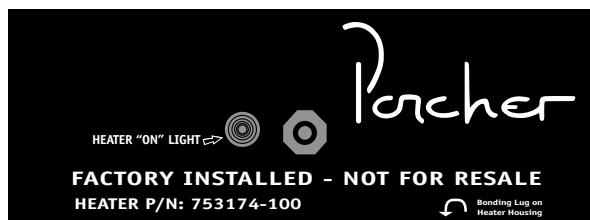
This light turns on whenever the heater is operating.

High-Limit Switch

The heater includes an exclusive "Intelligent High-Limit". This safety circuit will not "false trip" from hot tap water. It will only turn the heater off if the thermostat fails. If the high-limit trips frequently, call a service technician.

To manually reset the circuit in the event that the "High-Limit" switch has been activated, simply

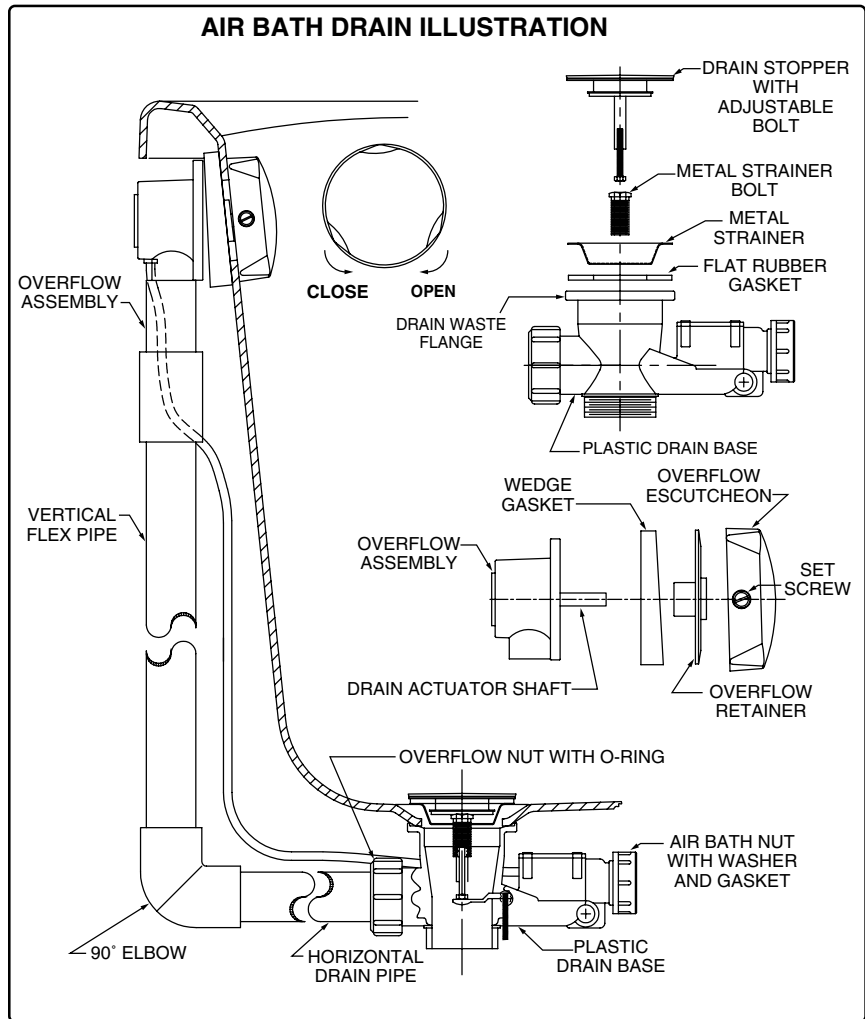
- (1) Turn off the whirlpool pump.
- (2) Drain water from the tub.
- (3) Remove power from heater by unplugging at receptacle or turning off circuit breaker.
- (4) The heater circuit will automatically reset in less than 15 minutes.
- (5) Restore power to the heater.
- (6) Whirlpool bath is now ready to use.



**FIGURE 4: WHIRLPOOL HEATER
INDICATOR LIGHT**

DRAIN CONNECTION AND SYSTEM TEST
(before installing bath into framed out structure)

With supplied cable drain assembled to bath, connect drain outlet to waste line in accordance with the drain assembly instructions. Tighten all drain joints securely. Check the couplings and make sure they are hand-tight. Clean the air bath and fill with water to a point 2" below the overflow. Recheck the couplings and make certain that they are not leaking. (Although the couplings are factory tightened and inspected, some loosening may have occurred during transit.) Make sure the air bath is connected to the electrical supply and turn the air bath on. Check for leaks around all piping connections while the air bath is running.



DRAIN CONNECTION

1. Remove and identify all drain components as defined in air bath drain illustration.
2. Find 1" schedule 40 PVC pipe, 12" length, **HORIZONTAL DRAIN PIPE**.
Cut pipe to nominal 5" length and mark as "horizontal pipe", drain to elbow section.
3. Find 1" diameter **VERTICAL FLEX PIPE**. Mark as "vertical pipe",
drain to elbow section.
4. Install drain from below unit through opening as shown in photo **A**.



5. Apply 3 or 4 pea sized dabs of 100% silicone sealant to bottom waste drain flange and press flat rubber gasket into place as shown in photos **B** and **C**.



6. Apply 1/8" continuous bead of 100% silicone sealant to flat rubber gasket as shown in photo **D**. Set aside and be sure not to disturb silicone bead.

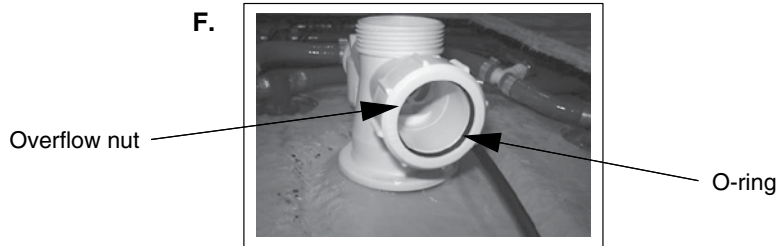


7. Apply 1/8" continuous bead of 100% silicone sealant to back side to metal strainer as shown in photo **E**. Press Strainer retaining bolt into metal strainer and insert into drain hole of acrylic bath.

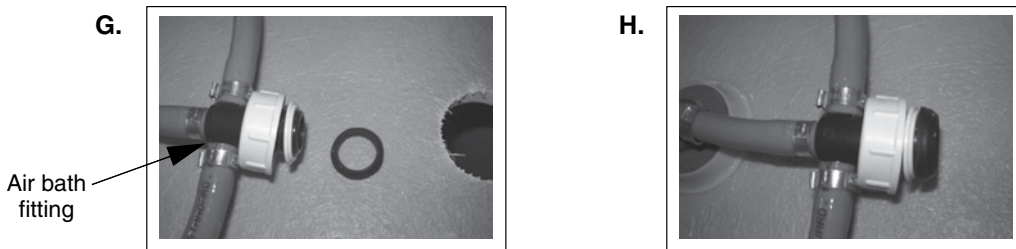


DRAIN CONNECTION *continued...*

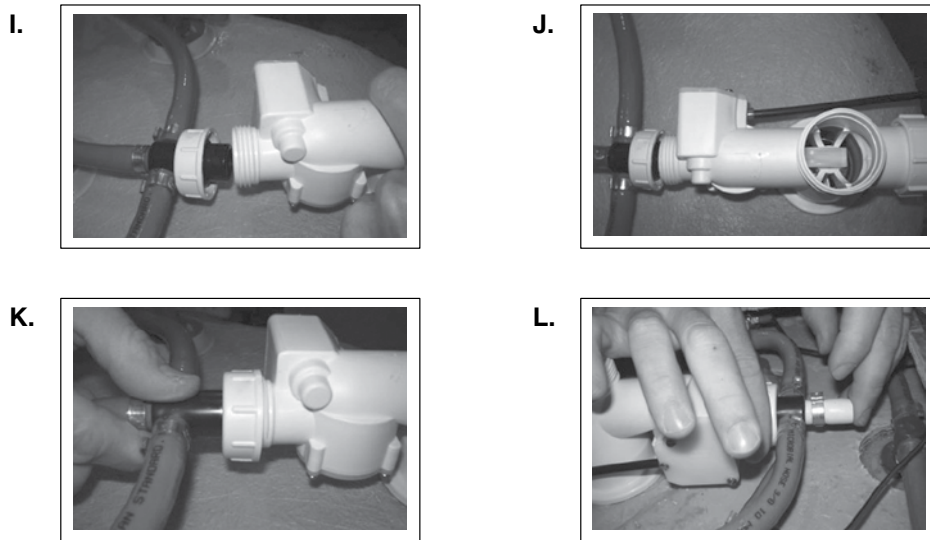
8. Have assistant take drain assembly from step 6 and place over back surface of drain hole to engage the metal strainer bolt. Secure plastic drain base to metal strainer in drain opening using nut driver shaft. **DO NOT OVER TIGHTEN!** Carefully remove excess silicone from acrylic surface as directed by silicone sealant directions.
9. From unit back side, overflow nut should be in alignment with overflow opening, as shown in photo **F**.



10. Slide air bath fitting nut, washer and gasket onto air bath fitting as shown in photos **G** and **H**.



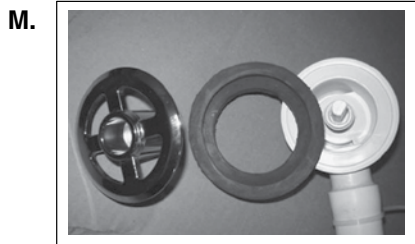
11. Assemble air bath fitting to plastic drain base as shown in photos **I**, **J**, **K** and **L**. Hand tighten nut to create watertight joint.



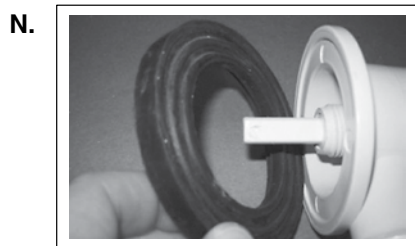
12. Apply PVC cement to **Horizontal Drain Pipe** PVC and assemble to 90 degree elbow.

DRAIN CONNECTION *continued...*

13. Disassemble overflow wedge gasket and chrome overflow retainer as shown in photo **M**.



14. Place overflow wedge gasket onto plastic overflow pipe flange with round raised rib surface contacting flange as shown in photo **N**.



15. Tighten chrome overflow retainer onto drain overflow assembly pipe per photo **O**.

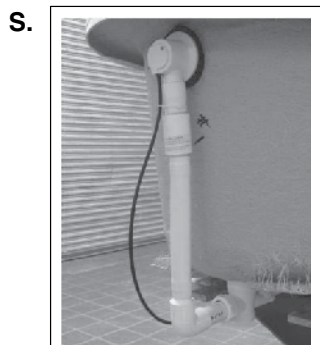
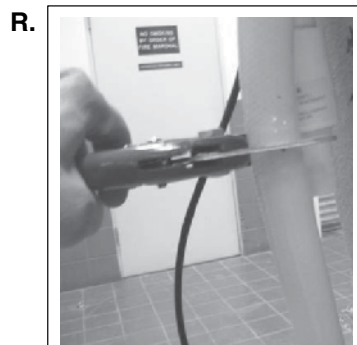
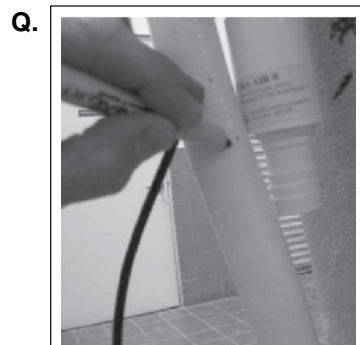
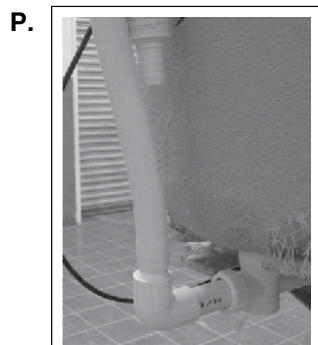


16. Apply PVC cement to barbed end of 90 degree elbow and insert vertical flex hose over barbs as shown in photo **P**.

17. Align vertical flex hose end of piping with top of barbed fitting located on the overflow fitting and mark the flex hose to be trimmed as shown in photo **Q**.

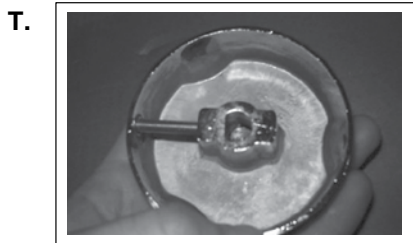
18. Cut off excess vertical flex hose as shown in photo **R**.

19. Attach vertical flex hose to barbed fitting on overflow fitting by preheating tubing and/or soaping barbed fitting with dish soap as shown in photo **S**.



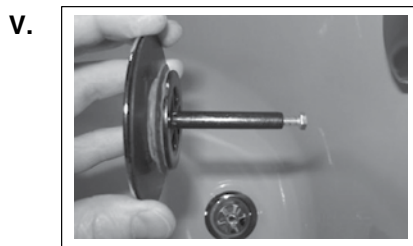
DRAIN CONNECTION *continued...*

20. Align flat on drain actuator shaft with corresponding flat in chrome metal overflow escutcheon and tighten set screw to fix overflow escutcheon in place per photos **T** and **U**.



21. Rotate left and right lightly to feel stops in drain cable control. This opens and closes drain.

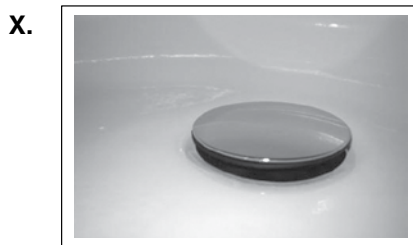
22. Place drain stopper into drain waste hole as shown in photo **V**.



23. The drain stopper should prevent water from draining out of tub when the escutcheon is in the fully counterclockwise position as shown in photo **W**. Adjust the drainstopper bolt to obtain the best water seal in the tub.



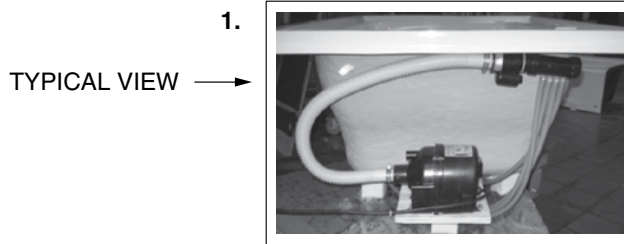
24. Rotate Drain Escutcheon to clockwise stop. This should open drain, between 1/8" and 1/4", to allow water to exit bath. If not adjust metal bolt in drain stopper to allow draining function, but not so high that drain will not seal when closed to hold water during use. See photo **X**.



REMOTE BLOWER LOCATION OPTION

IMPORTANT! It is not necessary that the blower motor be relocated. This option is provided for the case that a particular installation makes this effort practical.

NOTE: Relocating blower motor from factory installed location, see photo 1, will require disassembly of air blower from mounting board. Keep all hardware for reattachment at new location. Additional hardware will be required depending upon final desired position of air blower. Follow all instructions listed below.



NOTE: Installing the blower in a remote location will reduce the system efficiency.

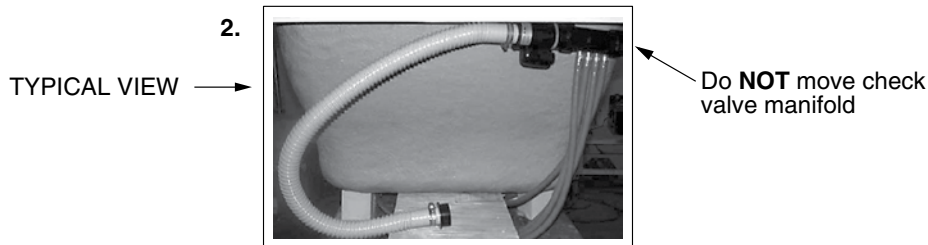
NOTE: Relocating a blower motor still requires a service access for the blower.

NOTE: All materials needed for the relocation must be supplied by the installer. This includes ordering a longer control panel cable (754025-0073A), a longer flexible blower hose (753960-2030A), and up to two lighting cable extensions for combo models (754512-0070A).

A separate circuit, which must be protected by the Ground Fault Circuit Interrupter (GFCI), is required in the remote location. Electrical connections should be performed by a licensed electrician.

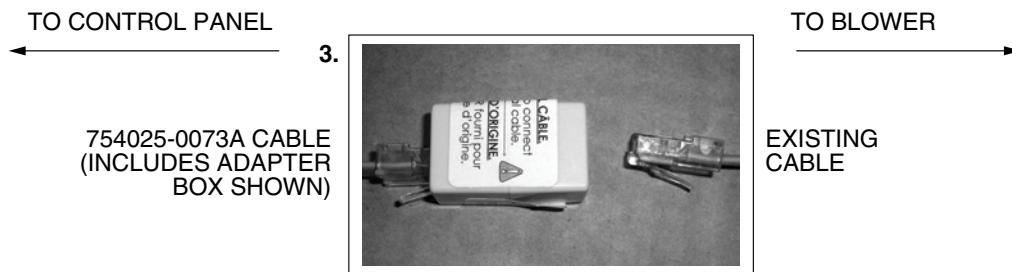
The blower motor must be located within 15 feet of the check valve manifold. This limitation is for the total pipe length and applies to any direction changes and elbows. There should be as few direction changes as possible.

Disconnect the blower from the flexible hose as shown in photo 2. Do NOT remove the check valve manifold that is mounted to the underside of the air bath. The manifold MUST remain mounted above the tub overflow level as shown in 2.



Replace the flexible hose shown in photo 2 with the longer flexible hose (P/N 753960-2030A) using the existing hose clamps.

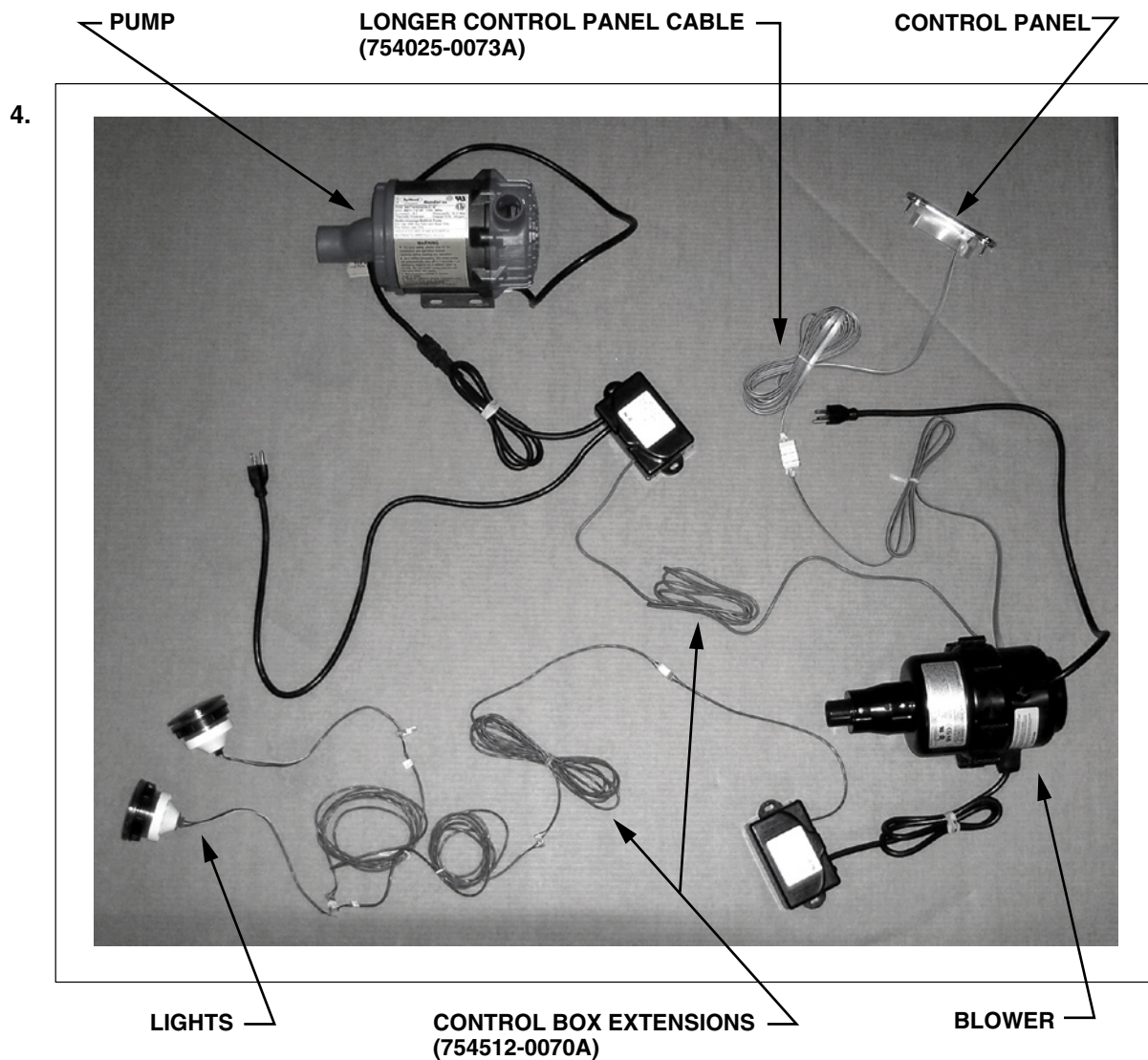
NOTE: Do NOT remove the original cable coming out of the blower. Instead, plug the longer cable (P/N 754025-0073A) into the existing cable that is coming out of the blower as shown in photo 3. Then plug the remaining end of the longer cable into the control panel which remains on the tub wall.



REMOTE BLOWER LOCATION OPTION (continued)

FOR THE COMBINATION WHIRLPOOL / AIR BATH CONFIGURATIONS ONLY:

Up to two additional control box extensions (P/N 754512-0070A) are required as shown in photo 4 (below). Simply extend the cables going to the blower by adding in the extension cables. Be careful not to damage the cable connections and never plug in cables while power is applied to blower and/or pump.



Operation: Single Speed Whirlpool



ELECTRONIC SWITCH

BATHING:

- Fill bath with water at a comfortable bathing temperature - If your whirlpool is equipped with the EZ-Heater, it will automatically maintain the water temperature.
- **IMPORTANT:** Do NOT fill the whirlpool more than 2/3 full before getting in, as it may overflow.
- **IMPORTANT:** Do NOT add bath oils or salts – this will damage the whirlpool pump.
- **IMPORTANT:** Water level must be at least one inch (25mm) above the highest jet before the whirlpool is started. Operating the system without water (dry running) for extended periods will cause pump damage and void the warranty.
- **IMPORTANT: The EcoSilent whirlpool will NOT operate unless the water level is at least one inch above the highest jet.**

STARTING WHIRLPOOL:

- Press on/off button to start whirlpool.

STOPPING WHIRLPOOL:

- Press on/off button again to stop whirlpool.

AIR VOLUME CONTROL ADJUSTMENTS:

- Water turbulence is determined by the amount of air mixed with the water. Rotate the air volume control counterclockwise for more turbulence, and clockwise for less.

FLOW JET VOLUME ADJUSTMENTS:

- Water flow-levels can be adjusted from vigorous to soft by rotating the nozzle counterclockwise for vigorous and clockwise for soft.

- **The water flow to the mini-jets in the lumbar area of bath (if so equipped) can be adjusted by turning the mini-jet flow control valve open (counterclockwise) or closed (clockwise). the mini-jets themselves are NOT adjustable.**

Operation: EcoSilent Whirlpool with Lights



3-BUTTON ELECTRONIC SWITCH

DISPLAY COLORS	
1 ST	WHITE
2 ND	SLOW RAINBOW CYCLE
3 TH	FAST RAINBOW CYCLE
4 TH	TURQUOISE
5 TH	BLUE
6 TH	MAGENTA
7 TH	RED
8 TH	ORANGE
9 TH	YELLOW
10 TH	GREEN
11 TH	RETURN TO SLOW RAINBOW CYCLE

BATHING:

- Fill bath with water at a comfortable bathing temperature - If your whirlpool is equipped with the optional EZ-Heater, it will automatically maintain the water temperature.
- **IMPORTANT:** Do NOT fill the whirlpool more than 2/3 full before getting in, as it may overflow.
- **IMPORTANT:** Do NOT add bath oils or salts – this will damage the whirlpool pump.
- **IMPORTANT:** Water level must be at least one inch (25mm) above the highest jet before the whirlpool is started. Operating the system without water (dry running) for extended periods will cause pump damage and void the warranty.
- **IMPORTANT:** The EcoSilent whirlpool will NOT operate unless the water level is at least one inch above the highest jet.



- To start whirlpool pump, press “on” button.



- To stop whirlpool pump, press “off” button.



- To turn on Chromotherapy lights, press light button once. The cycle will start on white.
- Turn off and on within 3 seconds; it will change to slow rainbow cycle and so on per the display color table shown above.

AIR VOLUME CONTROL ADJUSTMENTS:

- Water turbulence is determined by the amount of air mixed with the water. Rotate the air volume control counterclockwise for more turbulence, and clockwise for less.

FLOW JET VOLUME ADJUSTMENTS:

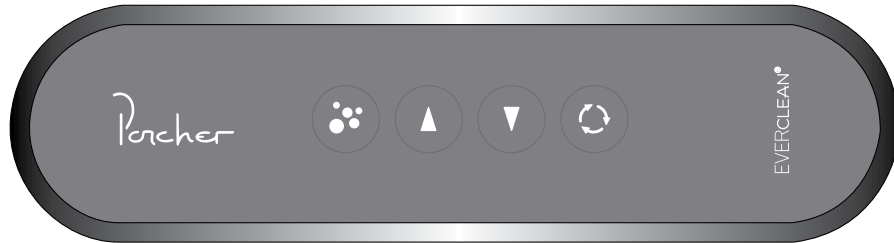
- Water flow-levels can be adjusted from vigorous to soft by rotating the nozzle counterclockwise for vigorous and clockwise for soft.
- **The water flow to the mini-jets in the lumbar area of bath (if so equipped) can be adjusted by turning the mini-jet flow control valve open (counterclockwise) or closed (clockwise). the mini-jets themselves are NOT adjustable.**





Operation: Air Bath

BATHING:

- Close drain by rotating Drain Overflow Knob COUNTER-CLOCKWISE
- Fill bath with water at a comfortable bathing temperature, adding bath oils or salts as desired.

OPERATING AIR MESSAGE SYSTEM:



	ON/OFF: Press this button once to turn air-blower on. Press again to turn air-blower off.
	AIR SPEED INCREASE: Pressing this button will increase to the next higher speed.
	AIR SPEED DECREASE: Pressing this button will decrease to the next lower speed.
	WAVE FUNCTION: Press this button to start the wave function (button will light). Blower speed will continuously vary between high and low. Press again to exit wave function (button light will go out).

EXITING THE BATH

- Be sure to turn off the air blower before draining bath.
- Open drain by rotating drain knob clockwise.

DRYING CYCLE OPTIONS

STANDARD DRYING CYCLE

An automatic drying cycle will start 20 minutes after the blower is turned off. The blower LED blinks while waiting for the purge cycle.

24H PROGRAMMABLE DRYING CYCLE

The system must be stopped prior to activation or deactivation.

Activation: Determine at which time you wish to purge to activate. At that precise time, press and hold the second button on the keypad for 5 seconds, all LEDs will flash twice. The purge cycle will now start at the programmed time every 24 hrs. In the event of a power failure, the program will be automatically deactivated.

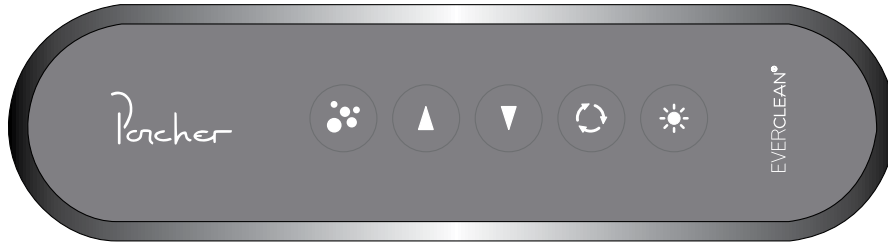
Deactivation: Press and hold the second button on the keypad for 5 seconds, all LEDs will flash once to confirm deactivation.

Operation: Air Bath with Lights

BATHING:

- Close drain by rotating Drain Overflow Knob COUNTER-CLOCKWISE
- Fill bath with water at a comfortable bathing temperature, adding bath oils or salts as desired.

OPERATING AIR MASSAGE and CHROMATHERAPY SYSTEM:



	ON/OFF: Press this button once to turn air-blower on. Press again to turn air-blower off.
	AIR SPEED INCREASE: Pressing this button will increase to the next higher speed.
	AIR SPEED DECREASE: Pressing this button will decrease to the next lower speed.
	WAVE FUNCTION: Press this button to start the wave function (button will light). Blower speed will continuously vary between high and low. Press again to exit wave function (button light will go out).

DISPLAY COLORS	
1 ST	WHITE
2 ND	SLOW RAINBOW CYCLE
3 TH	FAST RAINBOW CYCLE
4 TH	TURQUOISE
5 TH	BLUE
6 TH	MAGENTA
7 TH	RED
8 TH	ORANGE
9 TH	YELLOW
10 TH	GREEN
11 TH	RETURN TO SLOW RAINBOW CYCLE

	<ul style="list-style-type: none"> • To turn on Chromatherapy lights, press light button once. The cycle will start on white. • Turn off and on within 3 seconds; it will change to slow rainbow cycle and so on per the display color table shown above.
--	---

Operation: Air Bath with Lights (continued)

EXITING THE BATH

- Be sure to turn off the air blower before draining bath.
- Open drain by rotating drain knob clockwise.

DRYING CYCLE OPTIONS

STANDARD DRYING CYCLE

An automatic drying cycle will start 20 minutes after the blower is turned off. The blower LED blinks while waiting for the purge cycle.

24H PROGRAMMABLE DRYING CYCLE

The system must be stopped prior to activation or deactivation.

Activation: Determine at which time you wish to purge to activate. At that precise time, press and hold the second button on the keypad for 5 seconds, all LEDs will flash twice. The purge cycle will now start at the programmed time every 24 hrs. In the event of a power failure, the program will be automatically deactivated.

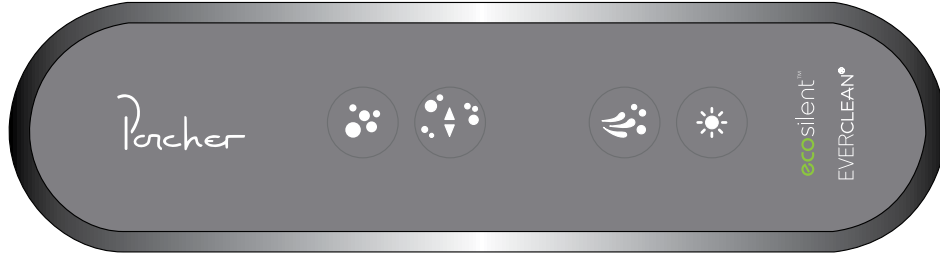
Deactivation: Press and hold the second button on the keypad for 5 seconds, all LEDs will flash once to confirm deactivation.

Operation: Combination Tub with Lights

BATHING:

- Close drain by rotating Drain Overflow Knob COUNTER-CLOCKWISE
- Fill bath with water at a comfortable bathing temperature, adding bath oils or salts as desired.

OPERATING AIR MASSAGE and CHROMATHERAPY SYSTEM:



- Press this button to turn blower on.
- Press this button again to turn blower off.



- Press and hold button to increase blower speed. Release button at desired speed.
- Press and hold button to decrease speed. Release button at desired speed.



- Press button to turn whirlpool pump on.
- Press button to turn whirlpool pump off.

DISPLAY COLORS	
1 ST	WHITE
2 ND	SLOW RAINBOW CYCLE
3 TH	FAST RAINBOW CYCLE
4 TH	TURQUOISE
5 TH	BLUE
6 TH	MAGENTA
7 TH	RED
8 TH	ORANGE
9 TH	YELLOW
10 TH	GREEN
11 TH	RETURN TO SLOW RAINBOW CYCLE



- To turn on Chromatherapy lights, press light button once. The cycle will start on white.
- Turn off and on within 3 seconds; it will change to slow rainbow cycle and so on per the display color table shown above.

Operation: Combination Tub with Lights (continued)

EXITING THE BATH

- Be sure to turn off the air blower before draining bath.
- Open drain by rotating drain knob clockwise.

DRYING CYCLE OPTIONS

STANDARD DRYING CYCLE

An automatic drying cycle will start 20 minutes after the blower is turned off. The blower LED blinks while waiting for the purge cycle.

24H PROGRAMMABLE DRYING CYCLE

The system must be stopped prior to activation or deactivation.

Activation: Determine at which time you wish to purge to activate. At that precise time, press and hold the second button on the keypad for 5 seconds, all LEDs will flash twice. The purge cycle will now start at the programmed time every 24 hrs. In the event of a power failure, the program will be automatically deactivated.

Deactivation: Press and hold the second button on the keypad for 5 seconds, all LEDs will flash once to confirm deactivation.

Your American Standard whirlpool is designed to give you many years of pleasure with reasonable care and maintenance.

Your new acrylic bathtub is tough, durable and easy to care for. The colors have been formulated to match other American Standard fixtures and enhance your choice of bathroom decorations. The high gloss surface will retain its lasting luster with proper care and maintenance.

CLEANING AND MAINTENANCE:

- Always fill the tub with temperate water. Excessively hot water (greater than 130° F) may cause surface damage.
- Remove bath mat after use and hang to dry. Allowing bath mat to dry in the tub may cause surface damage.
- Clean after use with a mild liquid household detergent cleaner. Do not turn on jets when such cleaners are present.

Do not use: Lestoil® Cleaner; Lysol® Disinfectant (spray or concentrate); or Lysol® Basin, Tub and Tile Cleaner; Windex® Cleaner; Mr. Clean® Cleaner; Dow® Disinfectant Bathroom Cleaner*; or other cleaning products in aerosol cans.

HARSH CHEMICALS, SHARP AND ABRASIVE OBJECTS SHOULD NEVER BE USED ON ACRYLIC SURFACES

- Do not use wire brushes, knives or sharp objects to remove stains or other surface blemishes.
- Use of abrasive cleaners or powders will dull the surface. If the glossy surface loses its sheen, dulled areas can be partially restored by rubbing with a white automotive body polishing compound and waxing with a liquid wax.
Do not wax surfaces where you walk or stand.
- Do not allow nail polish remover, acetone, dry-cleaning fluid, paint remover, or other solvents to come into contact with the surface.
- Clean the surrounding surface immediately after using caustic drain cleaners.
Do not permit drain cleaner to enter circulation system.
- Burning cigarettes will irreparably damage the surface of the whirlpool.

CLEANING/PURGING THE CIRCULATION SYSTEM

Once every month the circulating system must be purged and cleaned. Follow the steps outlined below:

1. Fill whirlpool with warm water and add two teaspoons of powdered automatic dishwasher (not laundry) detergent and one-half cup of household bleach to filled whirlpool.
2. Activate whirlpool system in accordance with operating instructions and run system for two minutes.
3. Drain and refill whirlpool with cold water. Circulate for five minutes.
4. Drain whirlpool completely after step 3 (above) is completed.

For Troubleshooting and Repair Parts please log on to www.americanstandard-us.com

* Lestoil® is a registered trademark of The Clorox Company.
Lysol® is a registered trademark of The Linden Company.
Windex® is a registered trademark of S.C. Johnson and Son, Inc.
Mr. Clean® is a registered trademark of The Procter and Gamble Company.
Dow® is a registered trademark of The Dow Chemical Company.

Porcher Limited Lifetime Warranty for Premium Acrylic Air Baths

Porcher warrants to the original consumer purchaser that it will, at its option, repair or replace this whirlpool or any of its parts that are found by Porcher, in its sole judgment, to be defective under normal residential use and maintenance so long as it is owned by the original consumer purchaser.

This warranty shall only become effective upon receipt by Porcher of a completely filled out Warranty Registration Card evidencing proof of purchase.

This limited warranty does not apply to commercial installations.

THIS WARRANTY SHALL BE VOID IF THE ACCESS PANEL TO THE WHIRLPOOL IS COVERED IN ANY MANNER CONTRARY TO THE INSTALLATION INSTRUCTIONS. In no event will Porcher be liable for the cost of repair or replacement of any installation materials including but not limited to tiles, marble etc.

This limited warranty DOES NOT COVER the following:

1. Defects or damages arising from shipping, installation, alterations, accidents, abuse, misuse, lack of proper maintenance and cleaning as directed in the owner's manual and use of other than genuine Porcher replacement parts, in all cases whether caused by a plumbing contractor, service company, the owner or any other person.
2. Deterioration through normal wear and tear and the expense of normal maintenance.
3. Commercial application.
4. Options and accessories. Porcher's limited warranty on these items is one year for parts only and excludes labor. This one year limited warranty covers accessories manufactured by Porcher (e.g. aprons, drains, grab bars, heaters, trim kits) against defects of material or workmanship. Warranty coverage begins on the date the accessory was originally purchased by the owner.
5. Postage or shipping costs for returning products for repairs or replacement under this limited warranty and labor or other costs incurred in connection with product removal or installation under this limited warranty.
6. ANY LIABILITY FOR CONSEQUENTIAL OR INCIDENTAL DAMAGES, ALL OF WHICH ARE HEREBY EXPRESSLY DISCLAIMED, OR THE EXTENSION BEYOND THE DURATION OF THIS LIMITED WARRANTY OF ANY IMPLIED WARRANTIES, INCLUDING THOSE OF MERCHANTABILITY OR FITNESS FOR AN INTENDED PURPOSE. (Some jurisdictions do not allow limitations on how long an implied warranty lasts, or the exclusion or limitation of incidental or consequential damages, so these limitations and exclusions may not apply to you.)
7. Responsibility for compliance with local code requirements. (Since local code requirements vary greatly distributors, retailers, dealers, installation contractors and users of plumbing products should determine whether there are any code restrictions on the installation or use of a specific product.)

This warranty gives you specific legal rights. You may have other legal rights that vary from state to state. For service under this warranty, you should contact the following:

In the United States:

Porcher
P.O. Box 6820
Piscataway, New Jersey, 08855
Attention: Director of Consumer Affairs

For residents of the United States, warranty information may also be obtained by calling the following toll free number: (800) 359-3261

www.porcher-us.com

In Canada:

Porcher
5900 Avebury Road
Mississauga, Ontario
Canada L5R 3M3

Toll Free: (800) 387-0369

www.porcher.ca

In Mexico:

Porcher
Planta Santa Clara
Via Morelos #330
Santa Clara Coatitla
Ecatepec de Morelos 55540,
Estado de Mexico, Mexico

NOTES:

