

INSTALLATION INSTRUCTIONS CARE AND MAINTENANCE London Farm Kitchen Sinks



24" Sink model number 35120

30" Sink model number 35130

36" Sink model number 35140

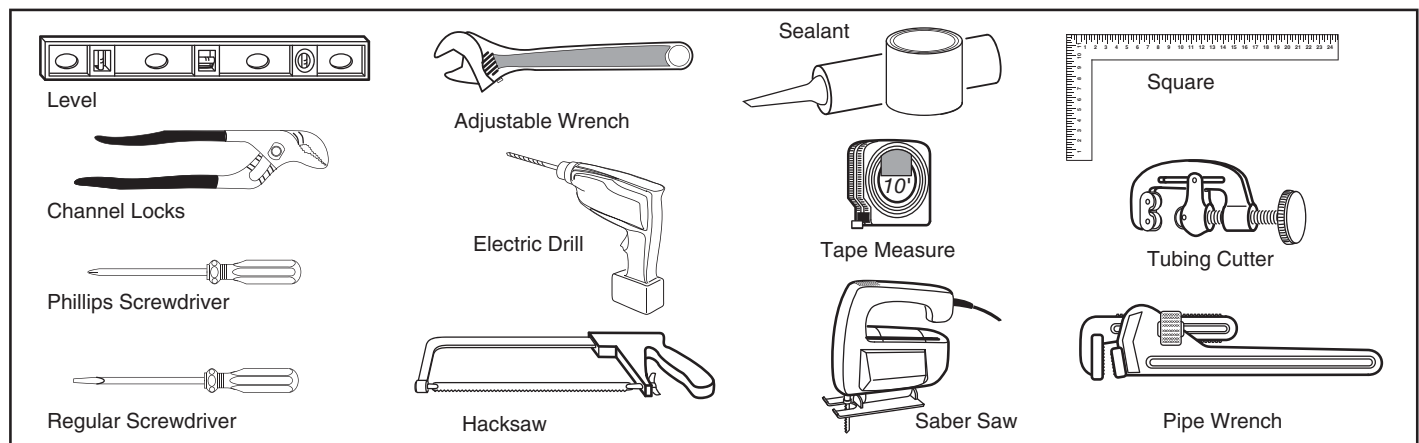
Certified to comply with ANSI A112.19.3.M CAN/C.S.A B-45

Thank you for selecting Porcher. To ensure this product is installed properly, please read these instructions carefully before you begin. (Certain installations may require professional help.) Also be sure your installation conforms to local plumbing and building codes.

NOTE: Pictures may not exactly define contour of sink and components.

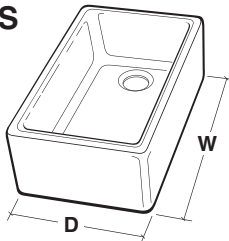
RECOMMENDED TOOLS AND MATERIALS

Most of the procedures require the use of common tools and materials, which are available from hardware and plumbing, supply stores. It is essential that the tools and materials be on hand before work is begun.



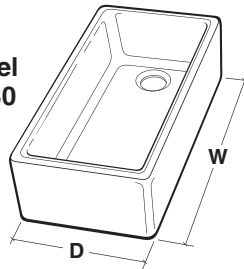
SINK MODELS

24" Model
No. 35120



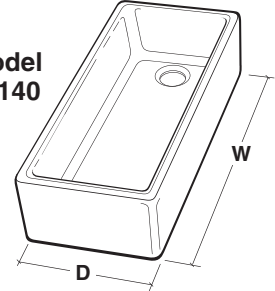
D: 20" (508mm)
W: 24" (610mm)

30" Model
No. 35130



D: 20" (508mm)
W: 30" (762mm)

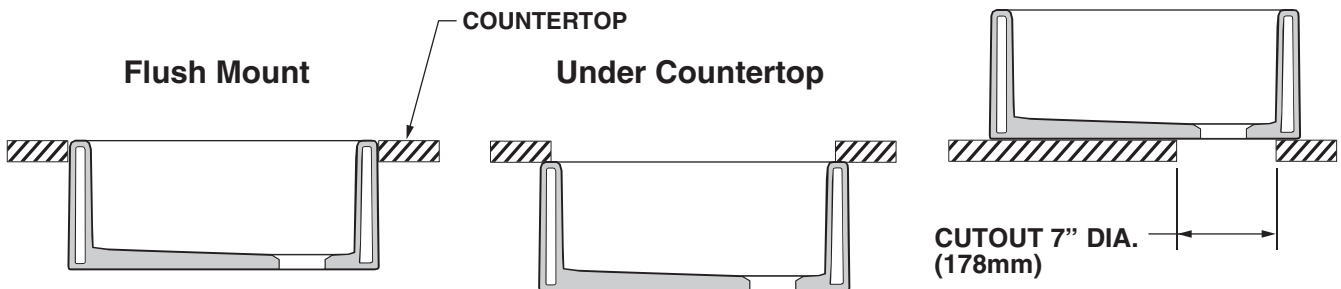
36" Model
No. 35140



D: 20" (508mm)
W: 36" (914mm)

MOUNTING OPTIONS

Above Countertop



BEFORE YOU BEGIN...

Unpack new sink and inspect carefully for damage. Notify your Porcher distributor of any damage. Replace the sink in its original packing carton to protect it until you are ready to begin installation.

USE
FUTURE
FOR
SAVE

INSTALLATION PROCEDURES

Typical installation may include cabinet support preparation, installation of faucet & pop-up drain, connection of flexible water supply lines, attachment of sink to cabinet and installation of drain & water supplies.

Sink Mounting Provisions – The cabinet area beneath the sink must be reinforced to provide sufficient support. The wood support frame for the sink must support 400 pounds (approximate weight of sink when full and garbage disposal installed).

CABINET SUPPORT PREPARATION

Important Note:

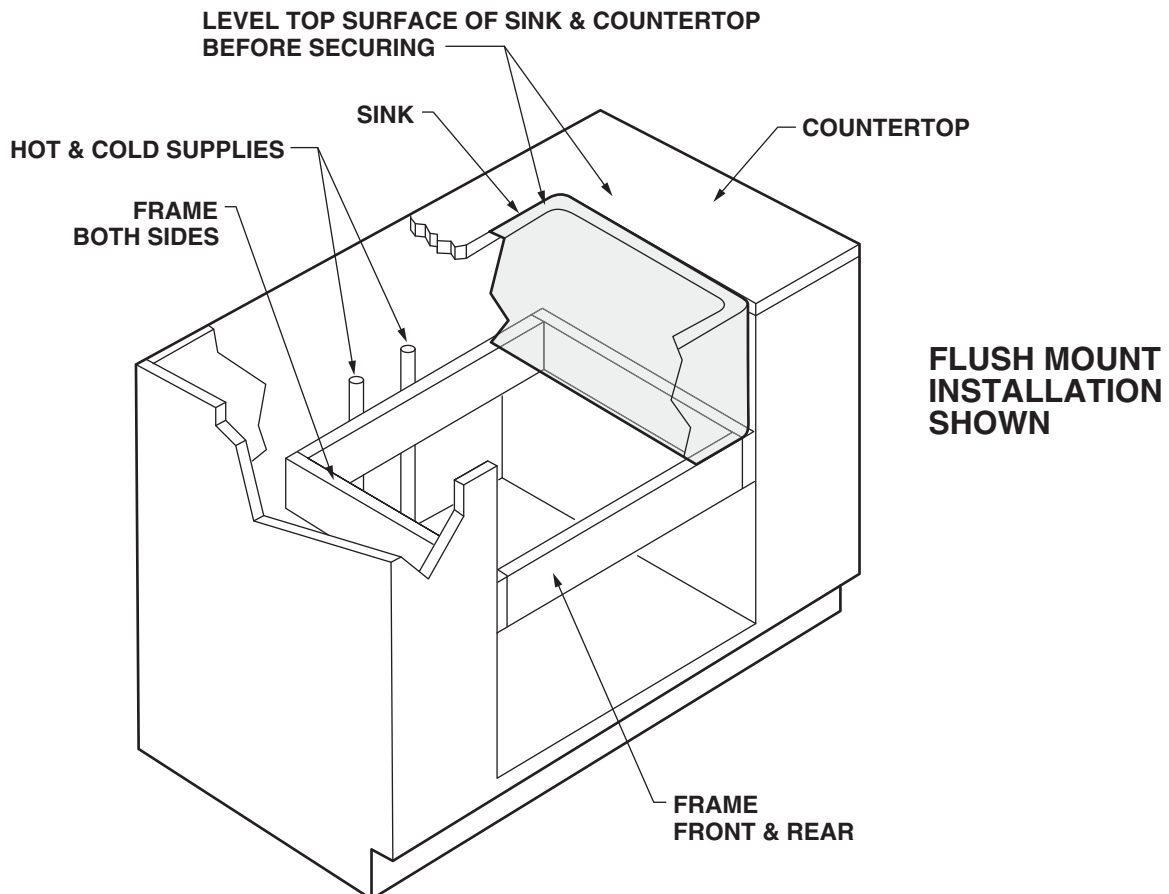
This installation assumes the use of a custom cabinet and countertop design. It is not designed for use with standard cabinet bases or standard countertops. Installation must be performed by a professional cabinet maker and shall be in accordance with all local plumbing and building codes requirements.

FLUSH MOUNT or UNDER COUNTERTOP INSTALLATIONS (See page 7 for above counter top installation)

1 DETERMINE MOUNTING OPTIONS

Determine if the sink will be mounted flush or under countertop. Next measure the actual size of the sink being installed to determine cabinet opening dimensions and support frame location. The cabinet opening should equal dimensions of the sink to minimize the gap between the sink apron and cabinet.

The type of sink installation being performed will determine the support frame location.



2 SUPPORT FRAME

Construct a support frame to fit inside the cabinet opening. Provide appropriate clearance for faucet, water supply lines, drain assembly, garbage disposal and structural parts of the cabinet.

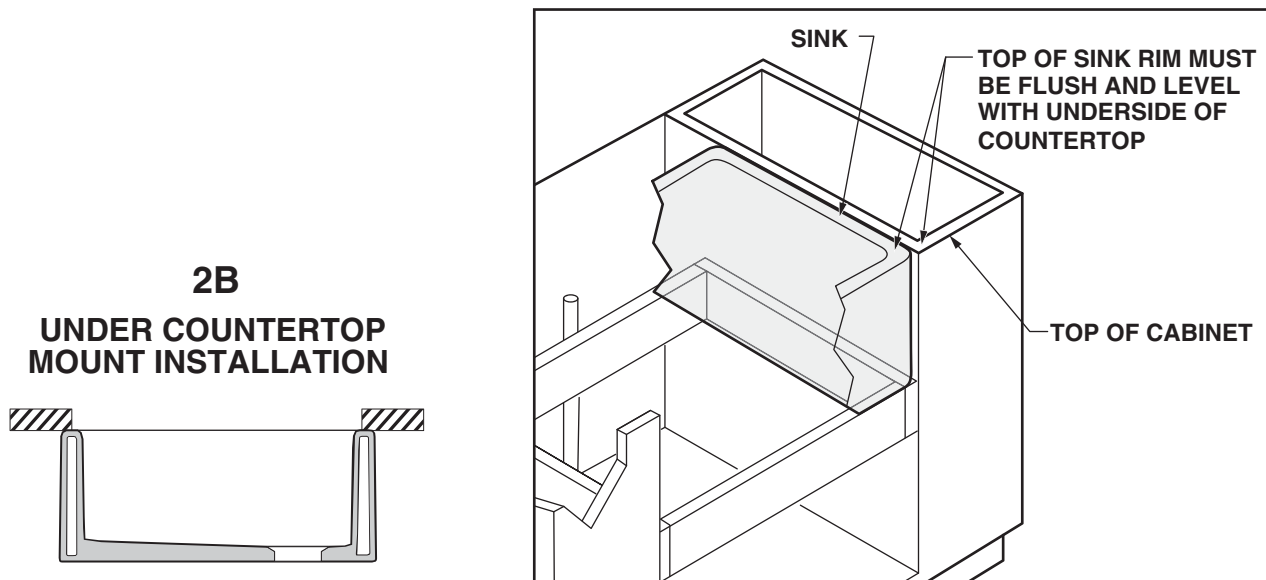
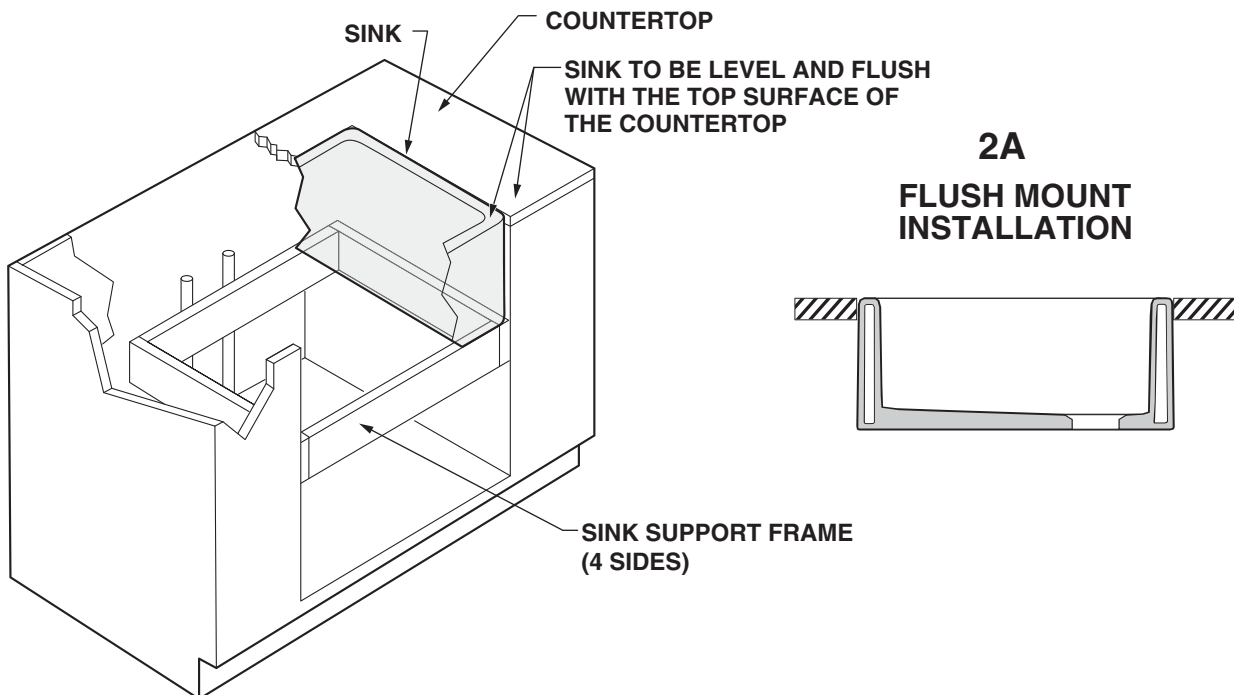
NOTE: In addition to supporting the sink vertically, fix the sink to prevent motion sideways and front-to-back.

Flush Mount Installation Note:

Install the support frame so that the top rim of the sink, when placed within the frame, will be level and flush with the top surface of the countertop. See diagram **2A** below.

Under Countertop Mount Installation Note:

Install the support frame so that the top rim of the sink, when placed within the frame, is level and flush with underside of the countertop. See diagram **2B** below.

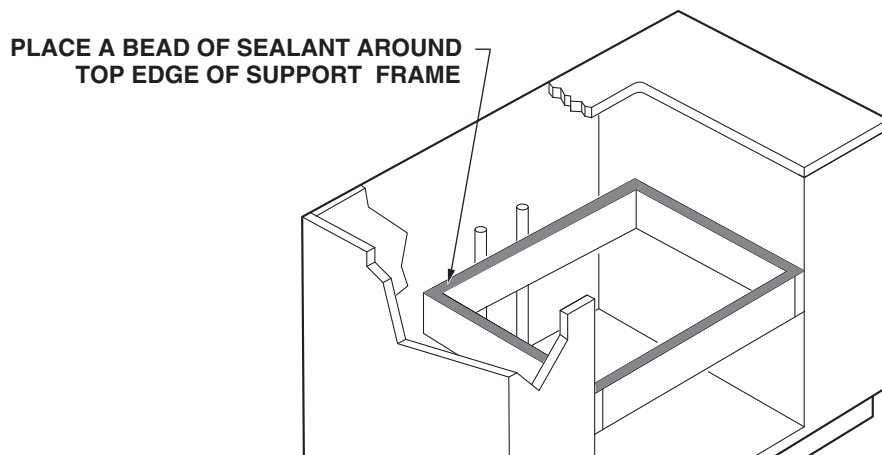


3 SINK INSTALLATION

**CAUTION: Sinks are extremely heavy.
For personal safety, use extra person during installation.**

STEP 1. Carefully set the sink within the support frame and position in center of cabinet opening. Check clearance around sink apron and ensure sink is centered within cabinet opening. Ensure sink base is making proper contact with support frame and countertop. Adjust or shim, as needed, to obtain proper sink position and fit.

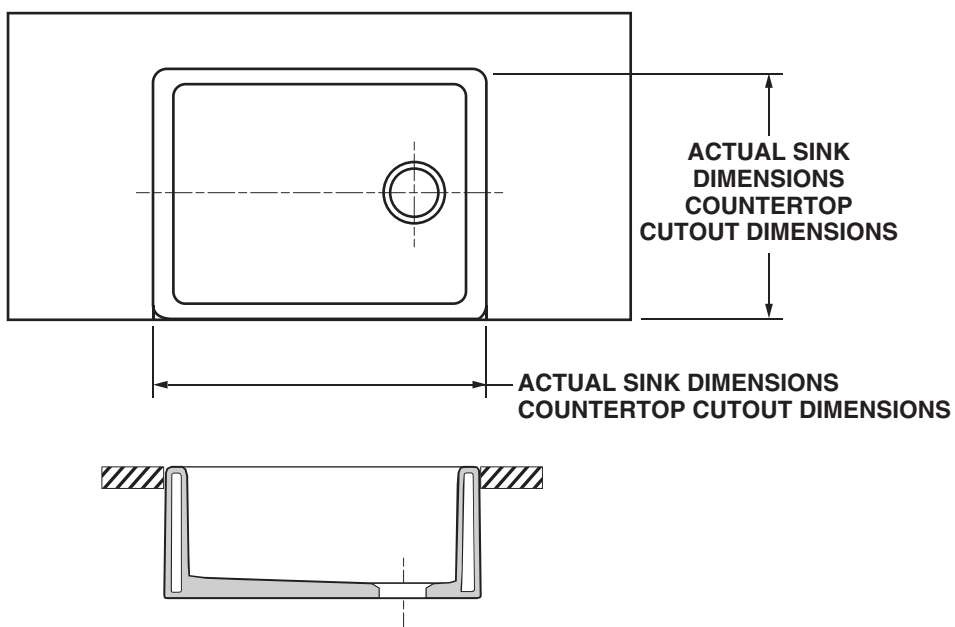
STEP 2. Carefully remove sink and place a bead of sealant around top edge of support frame where the sink and frame will make contact. Then replace sink into position. See diagram below.



4A Flush Mount Installation

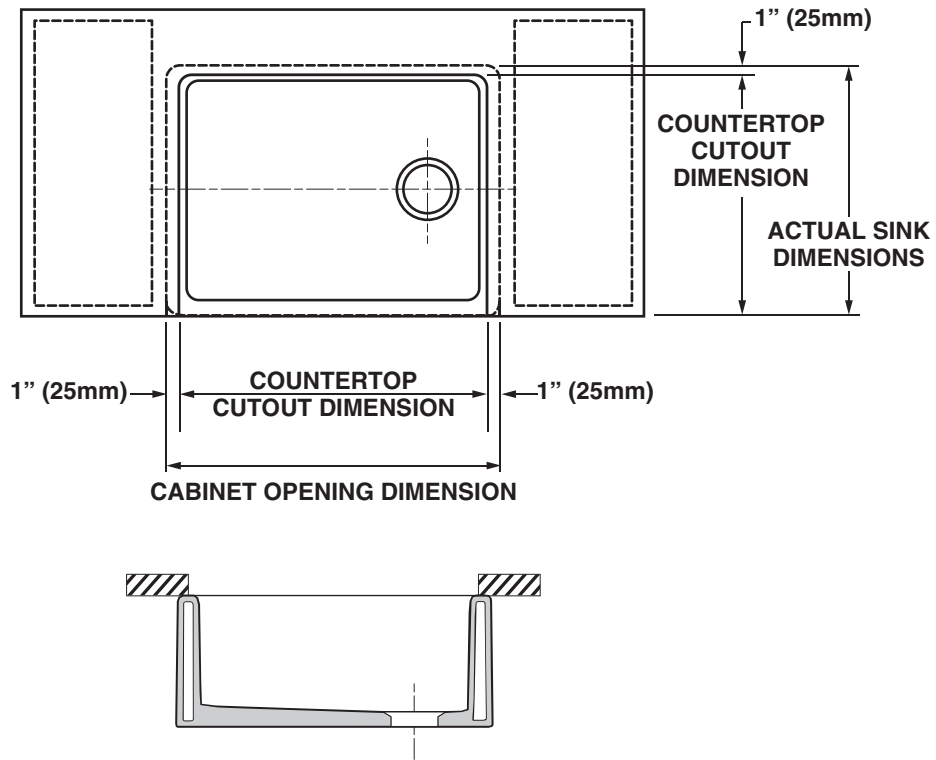
Using carpenter's square carefully measure and mark the location of the cutout opening in the countertop.

NOTE: Determine cutout opening from the actual sink size.
The cutout opening should equal the dimensions of the sink to minimize gap between the sink and the countertop opening.



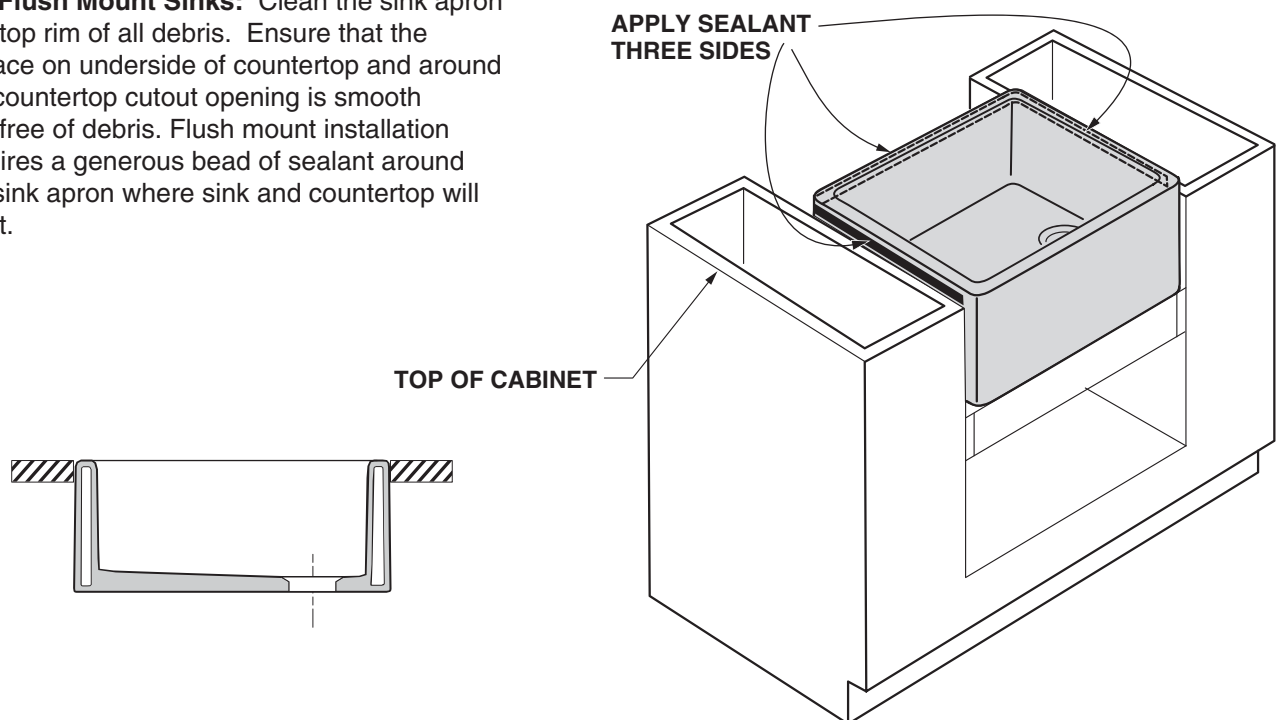
4B Under Countertop Installation

For under countertop installation, cutout opening is typically smaller than cabinet opening. The cutout size shall be determined by the preference of the customer. Carefully cut out the countertop opening. Opening must be adequately finished and sealed to prevent damage from water leaking.



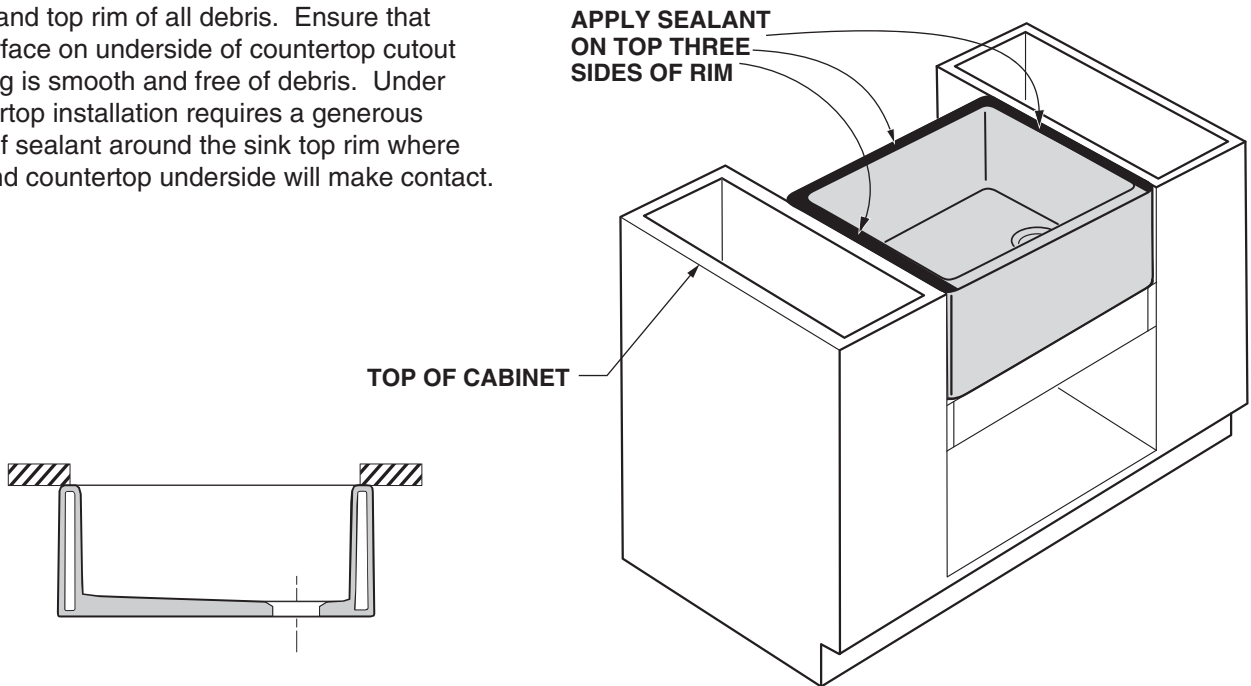
5A APPLY SEALANT

For Flush Mount Sinks: Clean the sink apron and top rim of all debris. Ensure that the surface on underside of countertop and around the countertop cutout opening is smooth and free of debris. Flush mount installation requires a generous bead of sealant around the sink apron where sink and countertop will meet.



5B APPLY SEALANT

For Under Countertop Sinks: Clean the sink apron and top rim of all debris. Ensure that the surface on underside of countertop cutout opening is smooth and free of debris. Under countertop installation requires a generous bead of sealant around the sink top rim where sink and countertop underside will make contact.

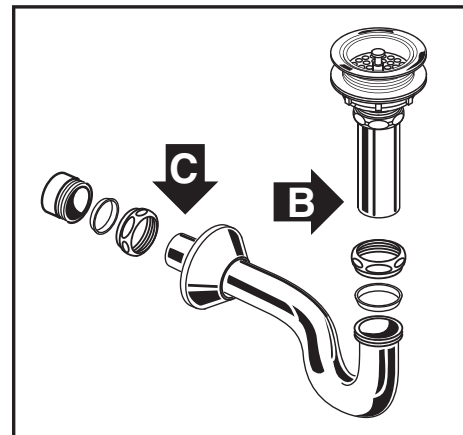


6 INSTALL COUNTERTOP

Carefully position and install the countertop. Ensure the sealant provides a complete seal between the sink and the countertop surface. Fill any voids and remove excess.

7 ASSEMBLE AND INSTALL P-TRAP AND DRAIN CONNECTIONS

Assemble and install P-trap drain connections in accordance with manufacturer's instructions. Connect trap to drain assembly hand tight to check alignment. It may be necessary to cut off part of the tailpiece (area "B") or part of the horizontal leg of the trap (area "C"). Secure joints for watertight assembly.



8 INSTALL FAUCET

Carefully locate and install faucet to countertop in accordance with manufacturer's instructions. Ensure you provide adequate clearance for supply lines and faucet operation.

Connect supply lines to shutoff valves. Turn on water supply valves and water-test installation.

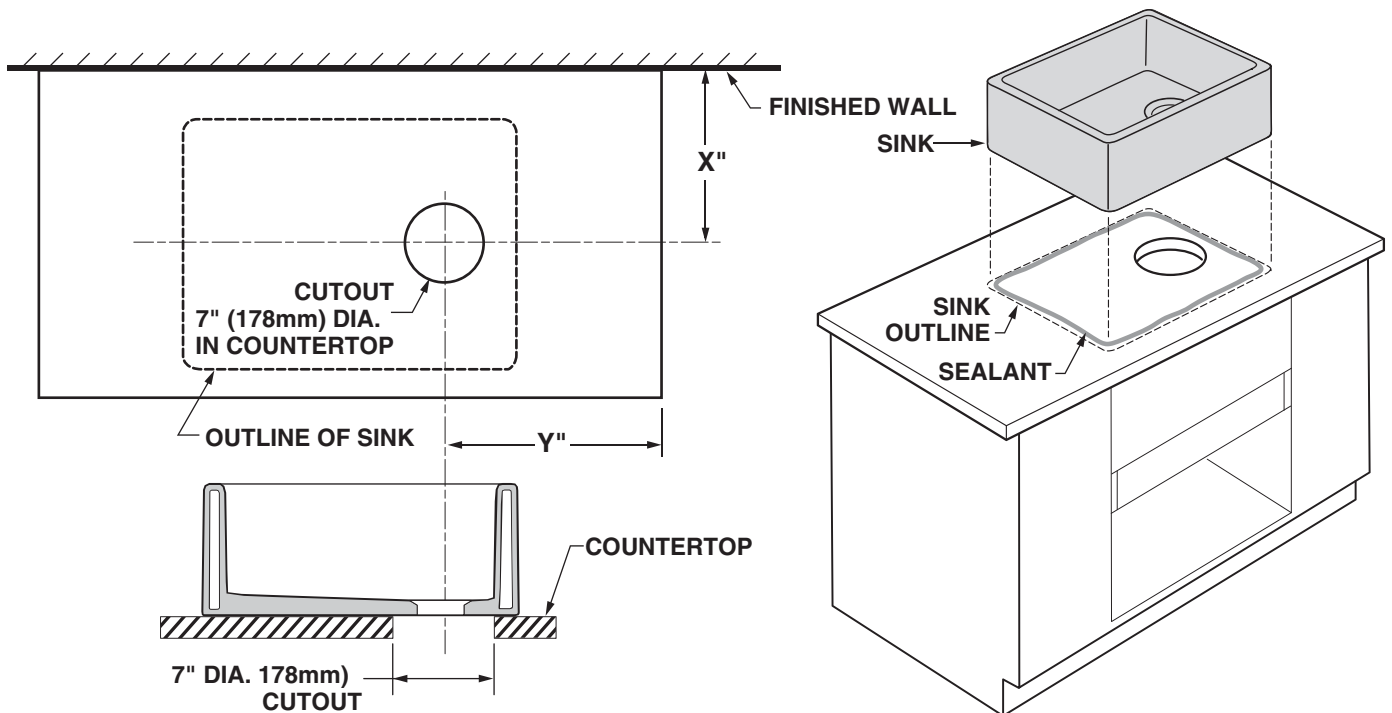
ABOVE COUNTERTOP INSTALLATION

I SINK INSTALLATION

Step 1. Position sink allowing sufficient distance to the finished wall based upon faucets chosen (Deck mount or Wall mount). Mark the center of the drain on the countertop as a guide for the installation location.

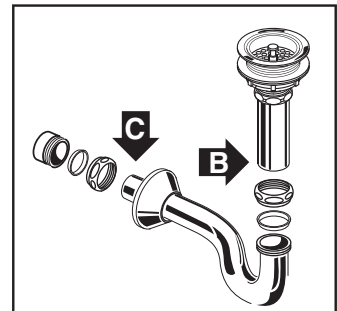
Step 2. Mark a 7 inch (178 mm) diameter on the counter centered on the mark. Cut opening using appropriate cutting tool for countertop material.

Step 3. Place a layer of sealant around the bottom edge of the sink where the sink and counter will make contact. Then replace sink back into position. You can also carefully mark the perimeter of the sink on the counter and apply the sealant on the counter instead of applying it on the bottom edge of the sink. Fill any voids and remove excess.



II ASSEMBLE AND INSTALL P-TRAP AND DRAIN CONNECTIONS

Assemble and install P-trap drain connections in accordance with manufacturer's instructions. Connect trap to drain assembly hand tight to check alignment. It may be necessary to cut off part of the tailpiece (area "B") or part of the horizontal leg of the trap (area "C"). Secure joints for watertight assembly.



III INSTALL FAUCET

Carefully locate and install faucet to countertop in accordance with manufacturer's instructions. Ensure you provide adequate clearance for supply lines and faucet operation.

Connect supply lines to shutoff valves. Turn on water supply valves and water-test installation.

Maintenance for stainless steel sinks:

To keep the original quality of your Stainless Steel Sink, we recommend regular cleaning. Use a mild liquid dish detergent and water to clean the product after use. Rinse carefully and dry.

Please have the following in mind:

- Do not let water or other liquids dry on the product. Liquids that are left to dry leave a grey build-up stain on the steel.
- Stainless steel can stand hard treatment, but sharp objects can easily scratch the surface. These scratches are more visible when the product is new. After a period of use these marks will be smoothed out without the product losing its luster.
- Never use scouring powder or steel wool to clean the surface. Apart from the risk of scratches, there is also a risk that rust stains will attack the steel.
- Avoid Chlorine-based solutions from coming into contact with the stainless steel.
- Silver polish leaves spots that cannot be removed.
- Acidic foods (e.g. juices, salt, mustard, mayonnaise, etc.) must be cleaned up immediately.

Discoloration

More stubborn spots are often caused by impurities in the water or household substances. These can be removed with special polish agents for stainless steel. Dull spots can become lustrous again if rubbed with chalk on a soft cloth.

PORCHER LIMITED LIFETIME WARRANTY FOR STAINLESS STEEL SINKS

Porcher warrants to the original purchaser consumer of an Porcher stainless steel sink that it will, at its option, repair or replace such product if it is found by Porcher, in its sole judgment, to be defective under normal residential use, provided that it has been installed and maintained in accordance with Porcher's instructions. This limited warranty applies only to the initial installation and is not transferable from the original consumer purchaser. In the event of a limited warranty claim, proof of purchase will be required – save sales receipt.

This limited lifetime warranty **DOES NOT COVER** the following:

1. Defects or damages arising from shipping, installation, alterations, accidents, abuse, misuse, environmental factors, lack of proper maintenance and use of other than genuine Porcher replacement parts, in all cases whether caused by a plumbing contractor, service company, the owner or any other person.
2. Deterioration through normal wear and tear and the expense of normal maintenance.
3. Commercial application.
4. Options and accessories. Porcher's limited warranty on these items is one year for parts only. This one year limited warranty covers accessories manufactured by Porcher against defects of material or workmanship. Limited warranty coverage begins on the date the accessory was originally purchased by the owner.
5. Postage or shipping costs for returning products for repairs or replacement under this limited warranty and labor or other costs incurred in connection with product removal or installation under this limited warranty.
6. ANY LIABILITY FOR CONSEQUENTIAL OR INCIDENTAL DAMAGES, INCLUDING LABOR, ALL OF WHICH ARE HEREBY EXPRESSLY DISCLAIMED, OR THE EXTENSION BEYOND THE DURATION OF THIS LIMITED WARRANTY OF ANY IMPLIED LIMITED WARRANTIES, INCLUDING THOSE OF MERCHANTABILITY OR FITNESS FOR AN INTENDED PURPOSE. IN NO EVENT WILL AMERICAN STANDARD BE LIABLE FOR THE COST OF REPAIR OR REPLACEMENT OF ANY INSTALLATION MATERIALS INCLUDING BUT NOT LIMITED TO TILES, MARBLE ETC. (Some jurisdictions do not allow limitations on how long an implied limited warranty lasts, or the exclusion or limitation of incidental or consequential damages, so these limitations and exclusions may not apply to you.)
7. Responsibility for compliance with local code requirements. (Since local code requirements vary greatly distributors, retailers, dealers, installation contractors and users of plumbing products should determine whether there are any code restrictions on the installation or use of a specific product.)

This limited warranty gives you specific legal rights. You may have other legal rights that vary from state to state or from province to province.

In the United States:

Porcher
P.O. Box 6820
Piscataway, New Jersey, 08855
Attention: Director of Consumer Affairs

For residents of the United States, warranty information may also be obtained by calling the following toll free number: (800) 359-3261
www.porcher-us.com

In Canada:

Porcher
2480 Stanfield Road
Mississauga, Ontario
Canada L4Y 1S2

Toll Free: (800) 387-0369

In Mexico:

Porcher
Planta Santa Clara
Via Morelos #330
Santa Clara Coatitla
Ecatepec de Morelos 55540,
Estado de Mexico, Mexico